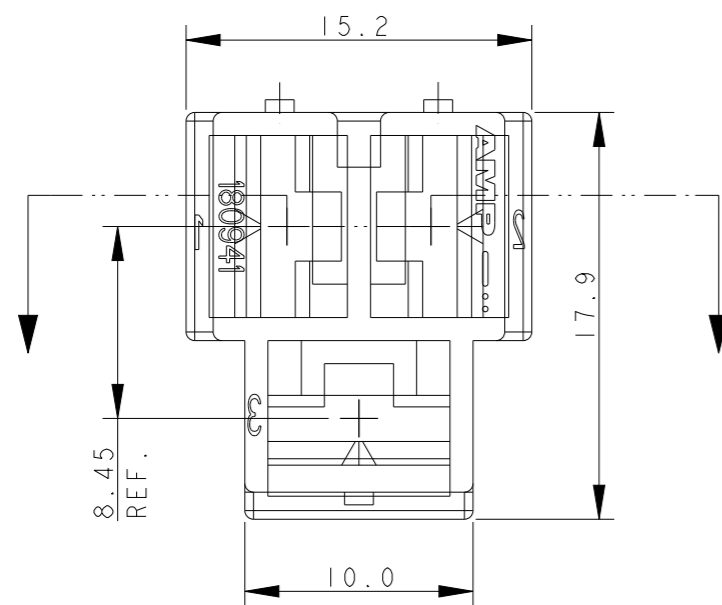
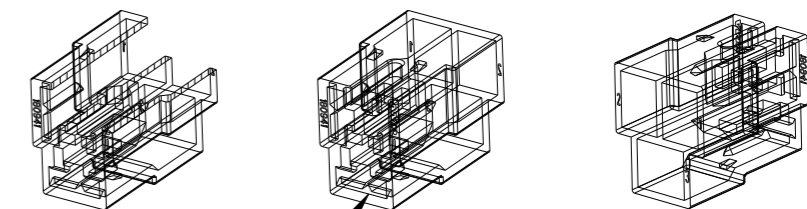
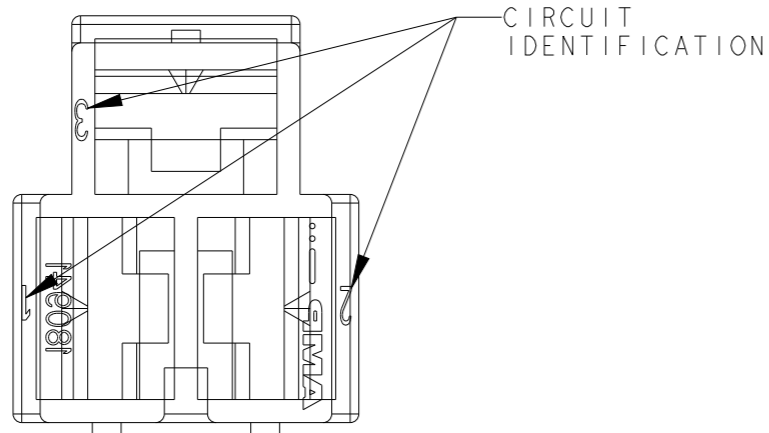
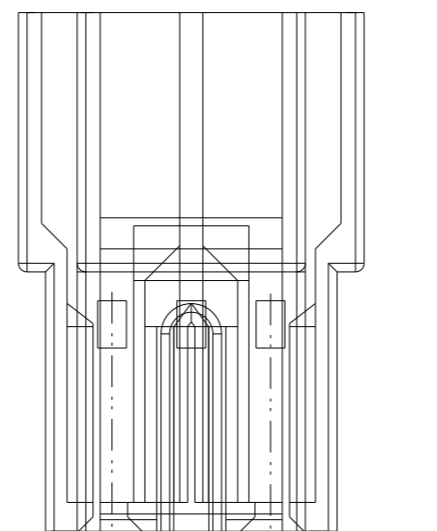
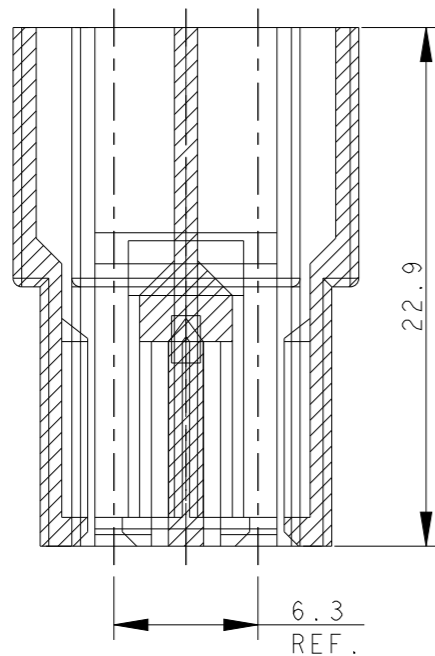


P	LTR	DESCRIPTION	DATE	DWN	APVD
P7		REVISED PER ECO-11005140	30MAR11	RK	HMR
P8		REVISED PER ECR-21-101990	19APR2021	SS	EW



SECTION A - A



SCALE 1:1

TIPICA CAVITA' PER TERMINALE TE AMP FASTIN-FASTON SR. 6.35 mm (TYPICAL CAVITY FOR TE AMP CONTACT FASTIN-FASTON .250" SRS.)

- 1 PA 6.6 UNFILLED, UL 94-V2.
- 2 PA 6 UNFILLED, GLOW WIRE TEST AT 750°C
- 3 NON ANCORA RILASCIATO IN PRODUZIONE (NOT YET RELEASED FOR PRODUCTION)
- 4 OBSOLETE PARTS: OBSOLETE CIS STREAMLINING PER D.RENAUD/D.SINISI
- 5 INTERNAL FLASH INSIDE CAVITY (THIN AND FLEXIBLE THAT DO NOT COME OFF) ACCEPTABLE UP TO 0.15 mm. EXTERNAL FLASH ACCEPTABLE UP TO 0.4 mm

NOTE	COLORE (COLOUR)	MATERIALE (MATERIAL)	P/N	REV
4	NATURALE (NATURAL)	2	2-180941-0	P
	NATURALE (NATURAL)		1-180941-0	O
	ARANCIONE (ORANGE)		0-180941-9	O
	VIOLA (VIOLET)		0-180941-8	O
4	MARRONE (BROWN)		0-180941-6	P
	NERO (BLACK)		0-180941-5	P
	GIALLO (YELLOW)	1	0-180941-4	O
	BLU (BLUE)		0-180941-3	O
	VERDE (GREEN)		0-180941-2	O
4	ROSSO (RED)		0-180941-1	P
	NATURALE (NATURAL)		0-180941-0	P

THIS DRAWING IS A CONTROLLED DOCUMENT.		DWN H. YAALI	24JUL2002	TE Connectivity	
DIMENSIONS: mm		CHK C. TARTARI	APVD -		
TOLERANCES UNLESS OTHERWISE SPECIFIED:		PRODUCT SPEC 108-20020		DRAWING NO	
0 PLC ±- 1 PLC ±0.3 2 PLC ±- 3 PLC ±- 4 PLC ±- ANGLES ±2°		APPLICATION SPEC -		RESTRICTED TO	
MATERIAL SEE TABLE material_2		WEIGHT 2.3 g		SIZE A300779	
FINISH -		CUSTOMER DRAWING		C=180941	
		SCALE 3:1		SHEET 1 OF 1	
				REV P8	

## X-ON Electronics

Largest Supplier of Electrical and Electronic Components

*Click to view similar products for [Terminals](#) category:*

*Click to view products by [TE Connectivity](#) manufacturer:*

Other Similar products are found below :

[00-054007-01074-6](#) [00-054007-70206-1](#) [00-054007-70210-8](#) [00-054007-70217-7](#) [00-054007-70226-9](#) [00-054007-70228-3](#) [00-054007-70248-1](#) [00-054007-70256-6](#) [00-054007-70301-3](#) [00-054007-70316-7](#) [00-054007-49560-4](#) [00-054007-70209-2](#) [00-054007-70225-2](#) [00-054007-70227-6](#) [00-054007-70231-3](#) [00-054007-70241-2](#) [00-054007-70242-9](#) [00-054007-70244-3](#) [00-054007-70246-7](#) [00-054007-70263-4](#) [00-054007-70288-7](#) [00-054007-70290-0](#) [00-054007-70300-6](#) [00-054007-70304-4](#) [01-2065-1-0216](#) [01-2900-1-04412](#) [00581P0075](#) [600TS-10](#) [60205-1](#) [604200-1](#) [605601-1](#) [60598-1-CUT-TAPE](#) [61314-6-C](#) [61810-3](#) [61-S](#) [61-SN](#) [626-0194](#) [62-NBM-A](#) [62-SN](#) [62-SP](#) [63-S](#) [640179-1](#) [M55155/059I03](#) [M55155/079C01](#) [M55155/099H02](#) [M55155/109H01](#) [M55155/109H02](#) [M55155/12XH05](#) [M55155/16XH02](#) [M55155/29-5S](#)