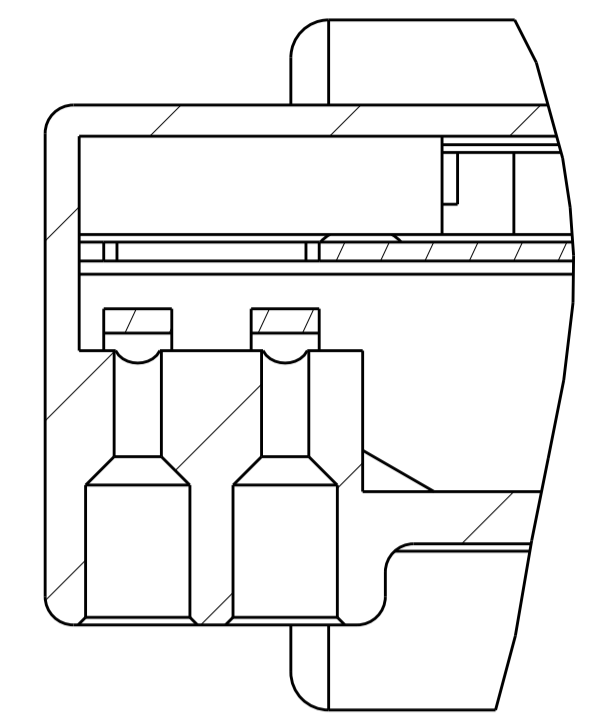


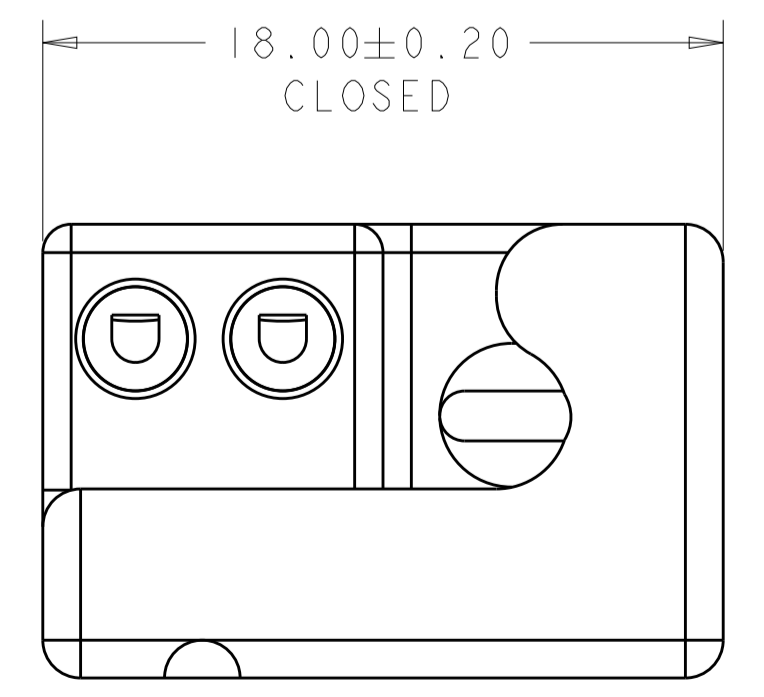
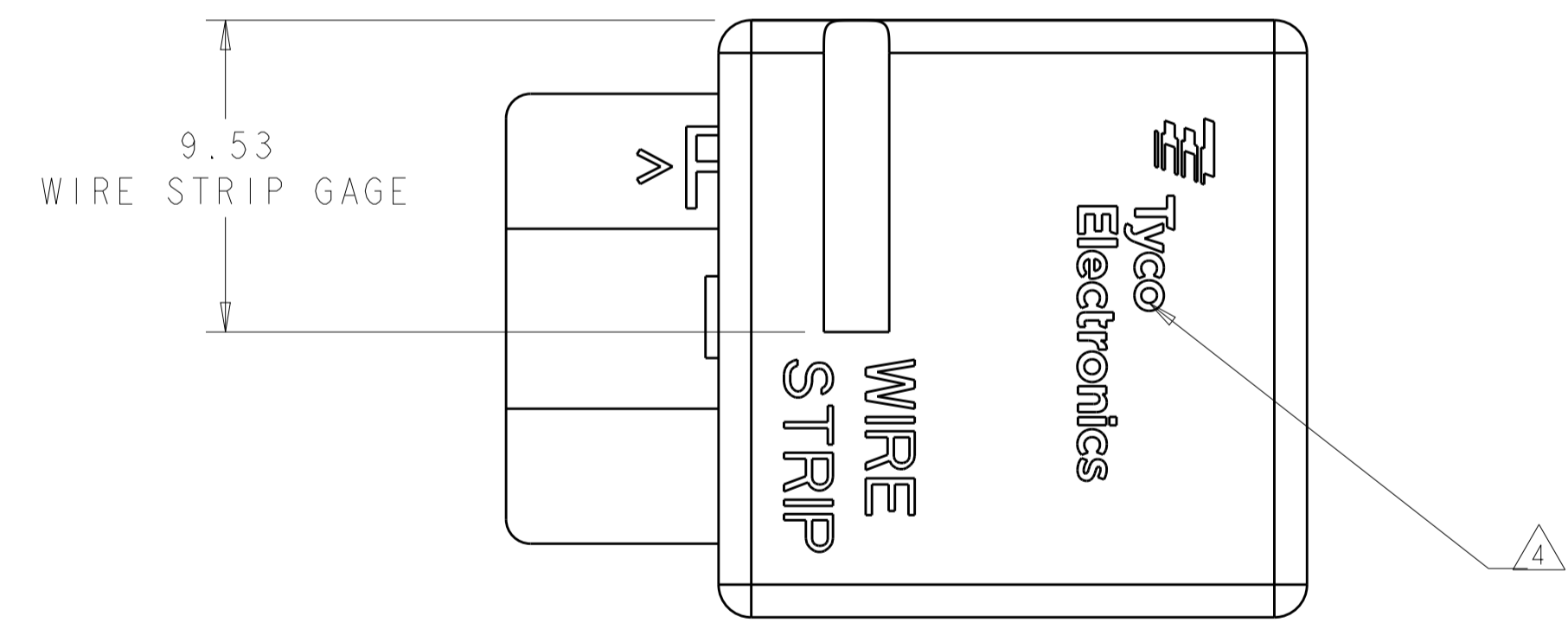
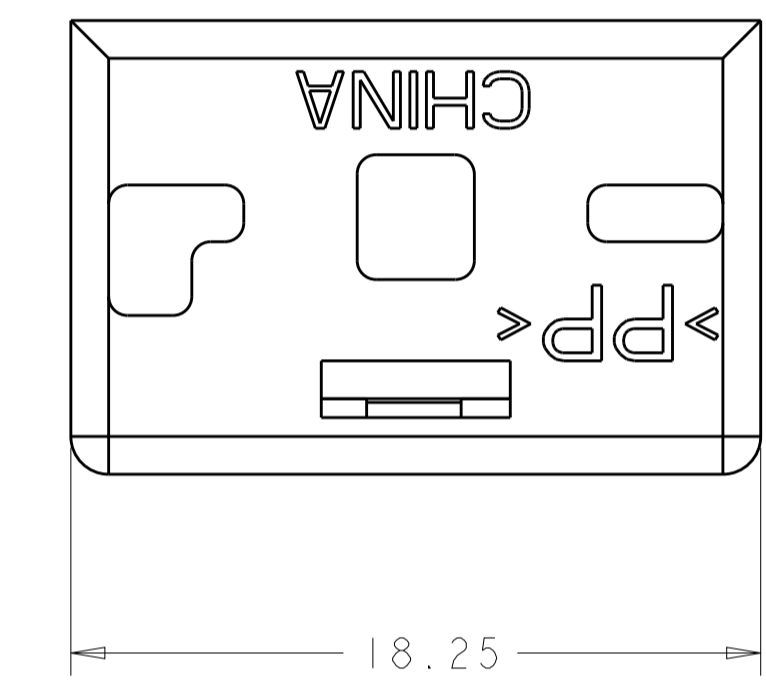
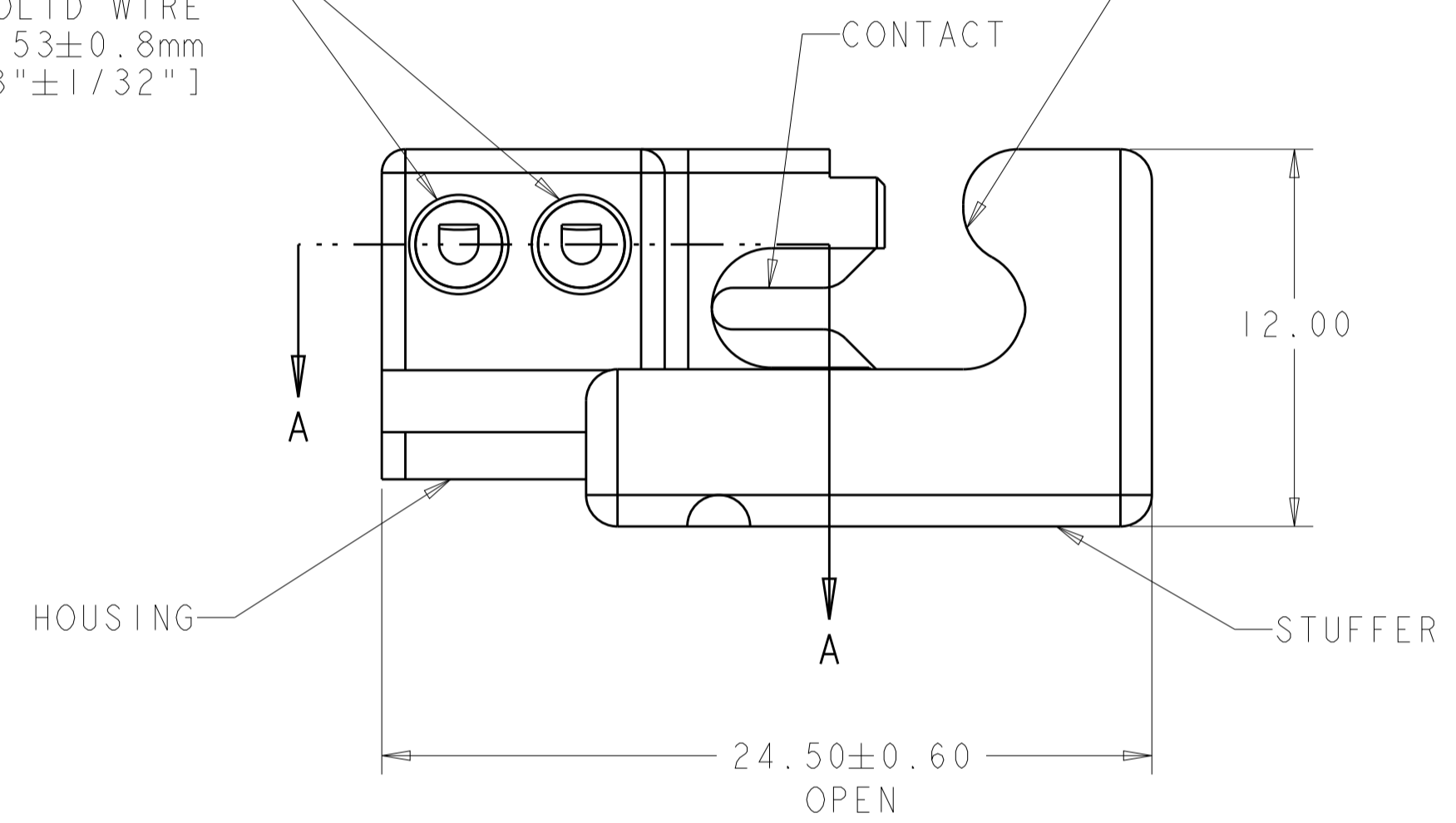
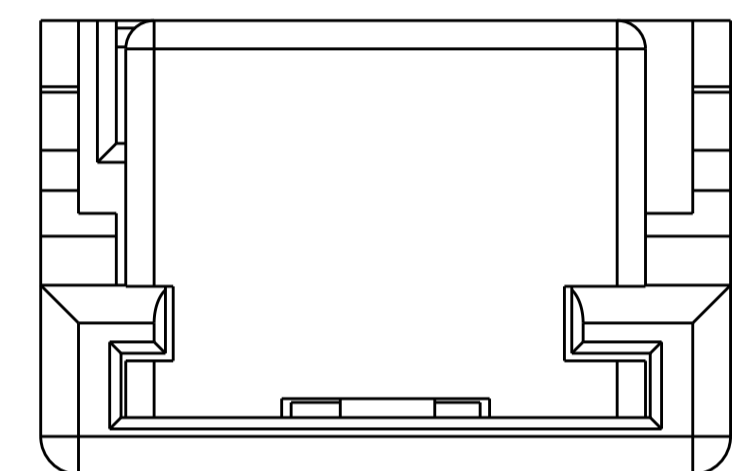
REVISONS		DATE	DWN	APVD
P	LTN	DESCRIPTION		
B2		REVISED PER ECO-17-012433	24AUG2017	SK DD



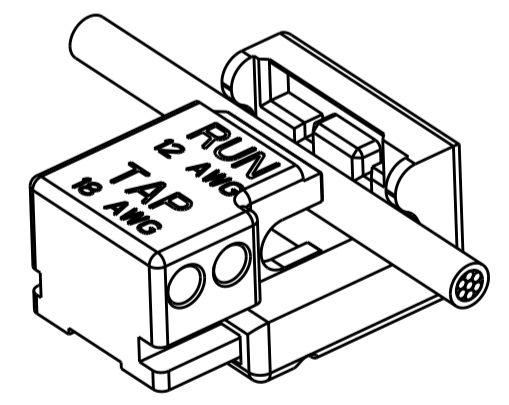
SECTION A-A

POKE-IN CAVITIES
 ACCEPTS 18 AWG PRE-STRIPPED
 SOLID WIRE
 STRIP LENGTHS: 9.53±0.8mm
 [3/8"±1/32"]

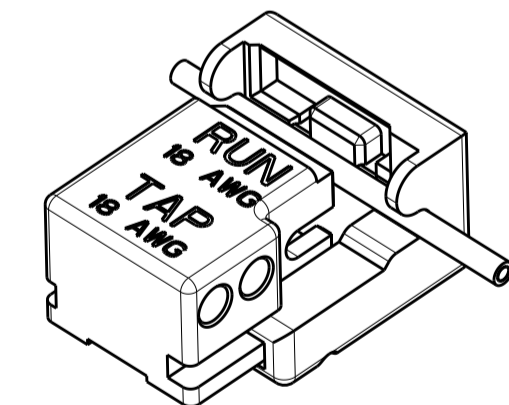
IDC AREA
 1811027-1 ACCEPTS 12 AWG SOLID OR STRANDED (19 STRANDS MAX), THHN WIRE
 1811027-2 ACCEPTS 18 AWG SOLID TFN/TEWN WIRE
 CONTINUOUS (FEEDTHRU) WIRE



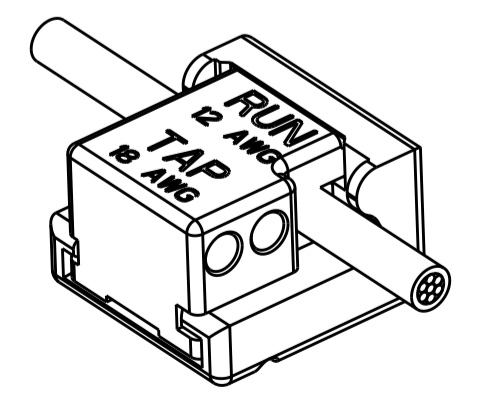
TERMINATED DETAIL



SCALE 2:1

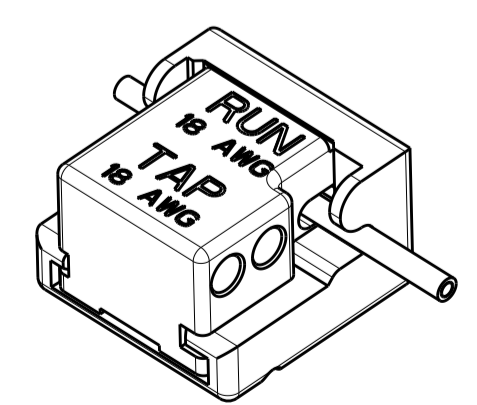


SCALE 2:1



SCALE 2:1

1811027-1



SCALE 2:1

1811027-2

- △ MATERIAL:
 HOUSING: THERMOPLASTIC, COLOR: SEE TABLE
 STUFFER: THERMOPLASTIC, COLOR: SEE TABLE
 CONTACT: COPPER ALLOY, 0.50 THICK
- △ FINISH:
 CONTACT: TIN PLATE
- 3. PRODUCT SPECIFICATION: 108-2219
 APPLICATION SPECIFICATION: 114-13151
- △ THE LOGO MAY BE JUST "TYCO" UNTIL COMPONENTS
 ARE CONVERTED.

GRAY	14 AWG	1811027-3
BLUE	18 AWG	1811027-2
BROWN	12 AWG	1811027-1
CONNECTOR COLOR	FEED THRU WIRE SIZE	PART NUMBER

THIS DRAWING IS A CONTROLLED DOCUMENT.		DWN D. FABIAN 28-Oct-04	TE Connectivity	
DIMENSIONS:		CHK J. ALLISON 16-Nov-07	NAME	
TOLERANCES UNLESS OTHERWISE SPECIFIED:		APVD 16-Nov-07 16-Nov-07	ASSEMBLY, WIRE SPLICE IDC / POKE-IN	
mm	0 PLC ± 1 PLC ± 2 PLC ±0.13 3 PLC ±0.013 4 PLC ± ANGLES ±1	PRODUCT SPEC 108-2219	SIZE CAGE CODE DRAWING NO	
MATERIAL	FINISH	APPLICATION SPEC 114-13151	RESTRICTED TO	
MATERIAL		WEIGHT	A100779C=1811027	
CUSTOMER DRAWING		SCALE 5:1	SHEET 1 OF 1	REV B2

X-ON Electronics

Largest Supplier of Electrical and Electronic Components

Click to view similar products for [Lighting Connectors](#) category:

Click to view products by [TE Connectivity](#) manufacturer:

Other Similar products are found below :

[21061-9](#) [293300-7](#) [2106117-2](#) [293660-5](#) [293700-2](#) [CNX_H03_NTP](#) [30-9767-BU](#) [3-21030-1](#) [ZCH-110-RGB-I](#) [503471-0290](#) [ES5P09K4F2](#)
[CNXH02NTP](#) [ZCH-110-RGB-J](#) [217-0716-200](#) [192992-0057](#) [1954563-1](#) [217-3030-000](#) [217-3032-000](#) [237-0734-003](#) [1-2213614-2](#) [2834049-](#)
[3](#) [ES9S002SZZ](#) [2834049-2](#) [2-2834067-3](#) [1-293657-2](#) [2834049-1](#) [1-2213614-3](#) [2834036-1](#) [2834037-1](#) [2213614-3](#) [2307526-2](#) [2-2106124-3](#)
[2-2834068-3](#) [FLS2SC4001BP](#) [FLSC80352000](#) [FLSC80354000](#) [FLSC80353000](#) [FLSSB8002](#) [FLSSB8001](#) [FLSC80351000](#) [FLSC80355000](#)
[FLSSB4001](#) [FLSC80504000](#) [FLSC80502000](#) [FLSC80501000](#) [FLSSR4001](#) [FLSC80505000](#) [FLSC80503000](#) [FLA-R4142-30](#) [FLA-R4141-30](#)