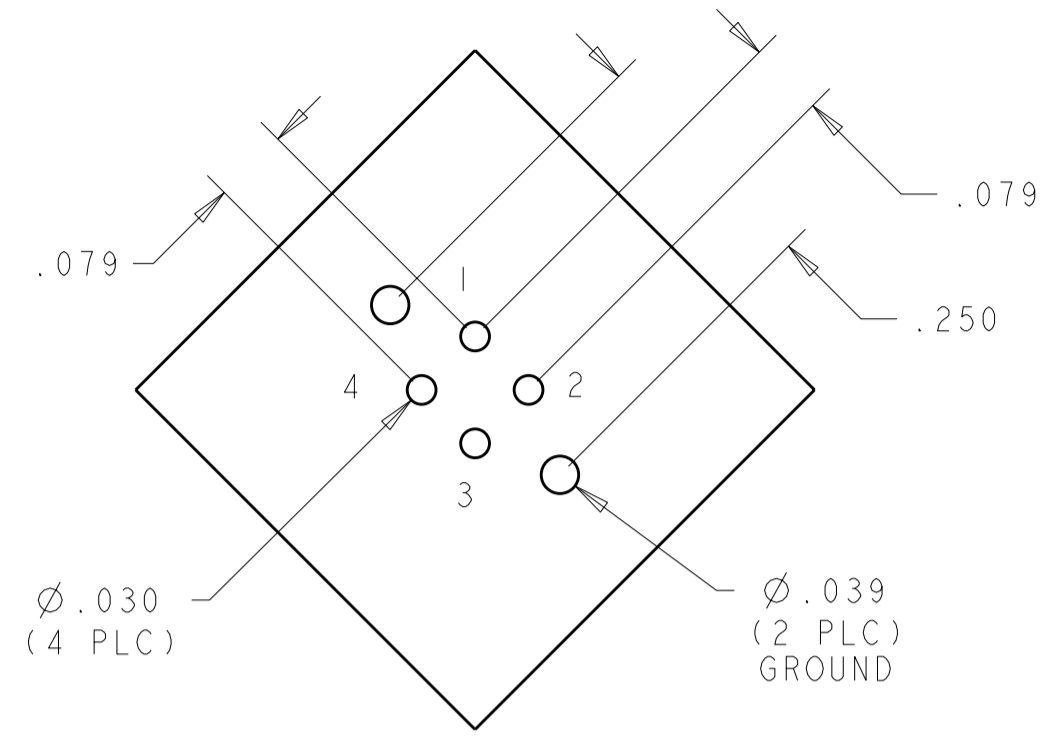
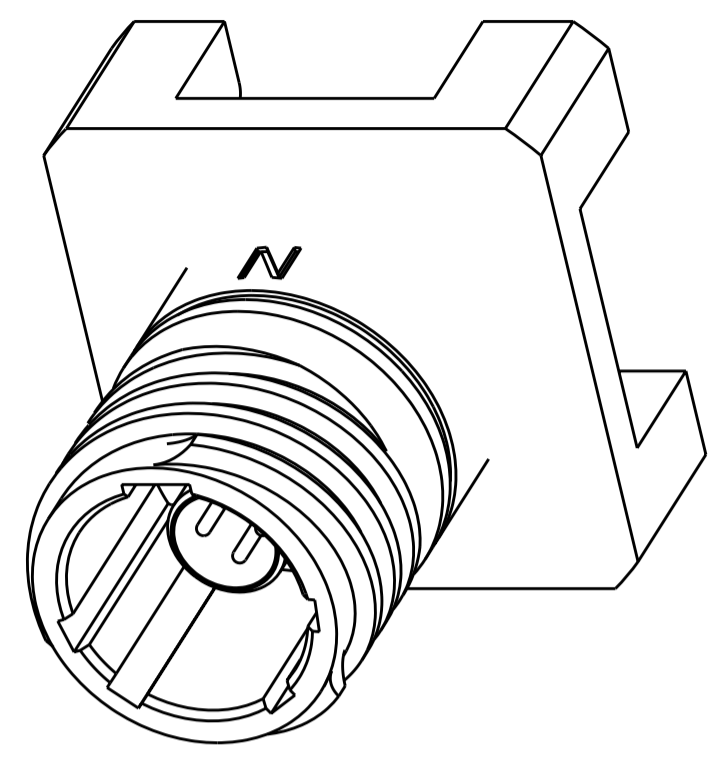


THIS DRAWING IS UNPUBLISHED. RELEASED FOR PUBLICATION 20
 © COPYRIGHT 20 BY TYCO ELECTRONICS CORPORATION. ALL RIGHTS RESERVED.

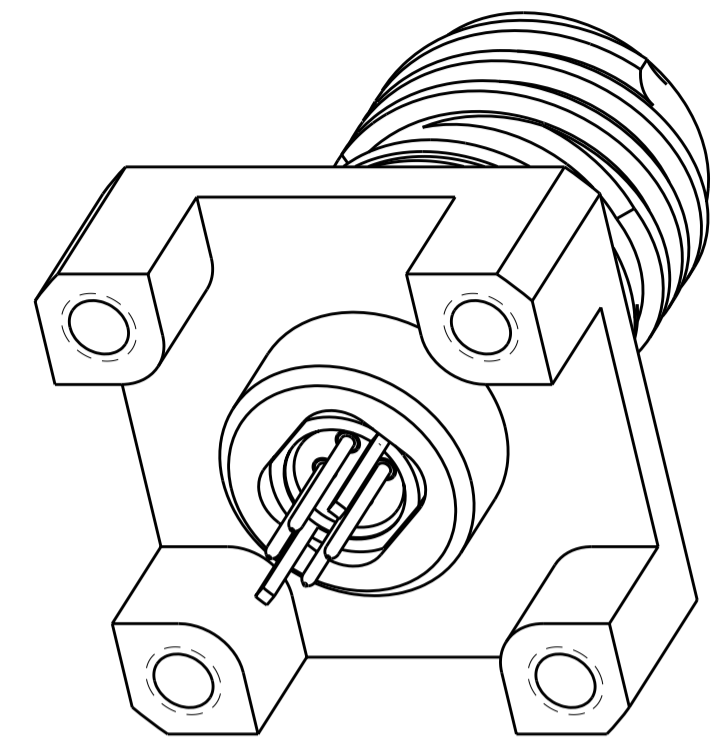
LOC	DIST	REVISIONS					
DF	A5	P	LTR	DESCRIPTION	DATE	DWN	APVD
		E		REV PER ECO 09-025507	12-11-09	CT	DM



PCB LAYOUT

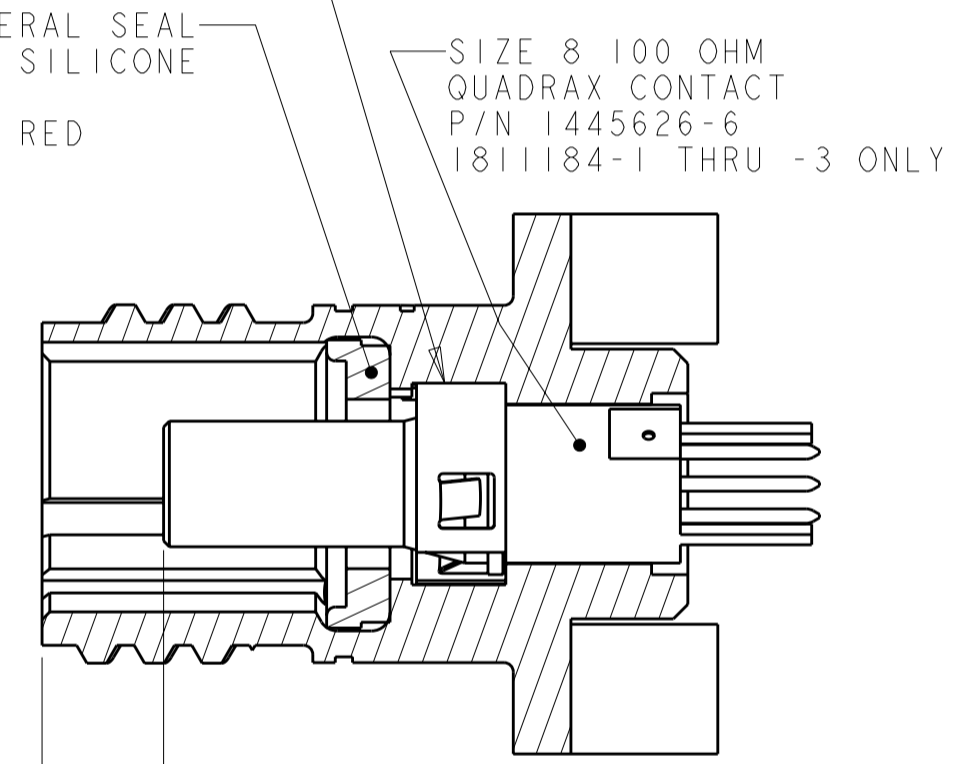
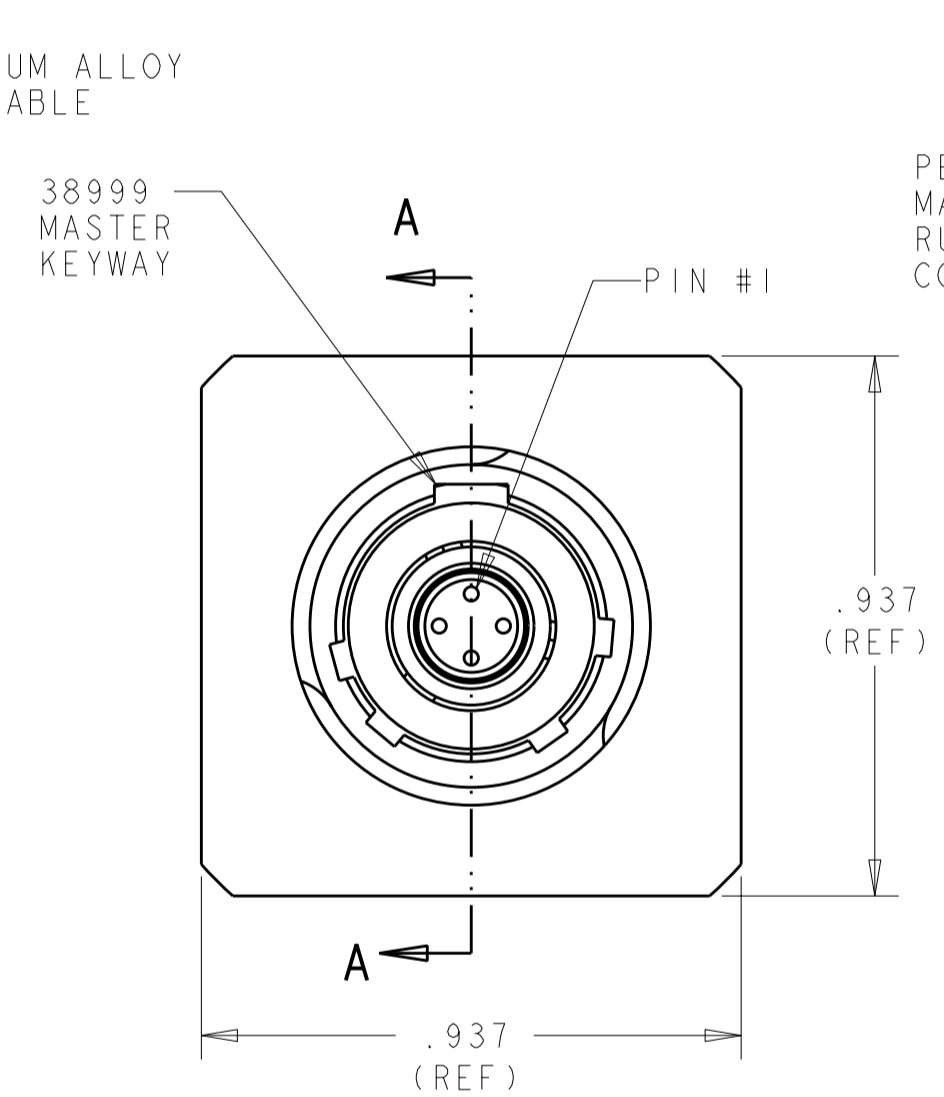
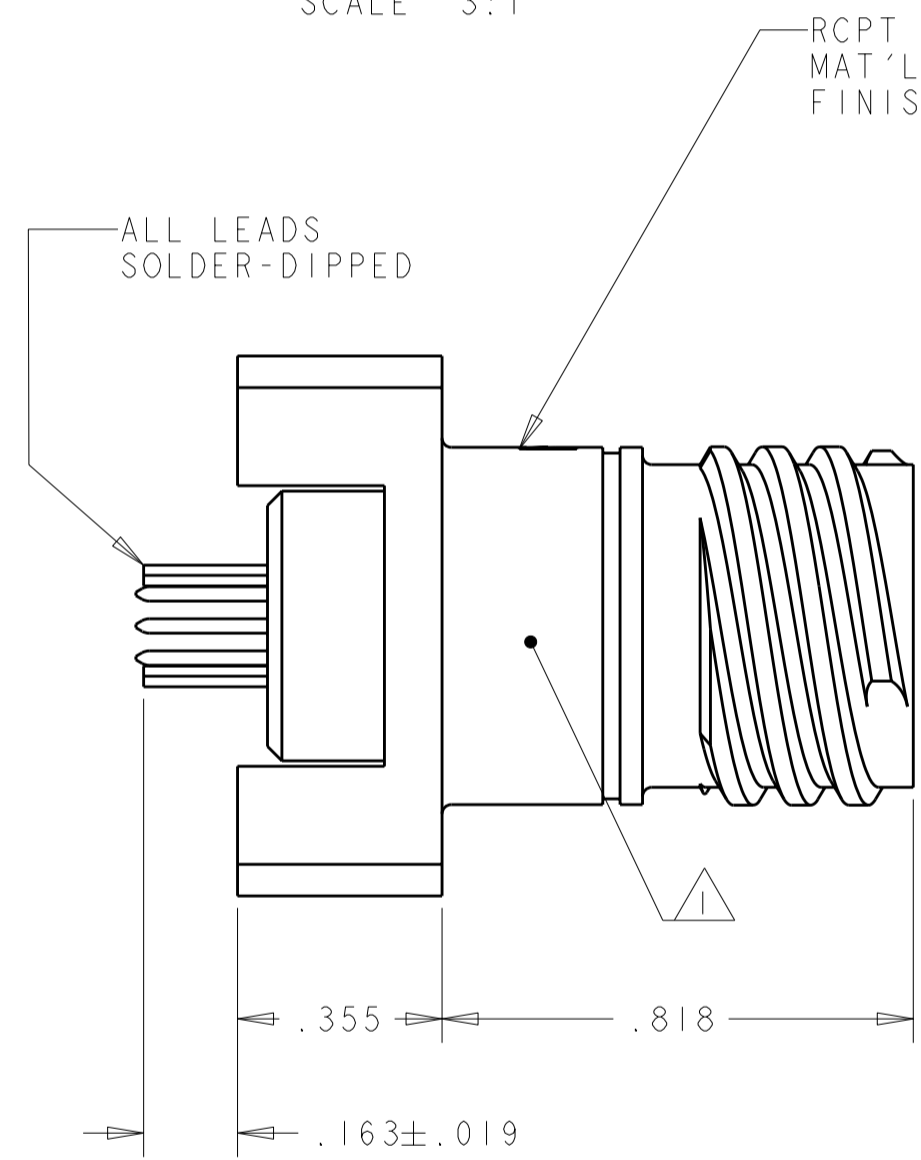
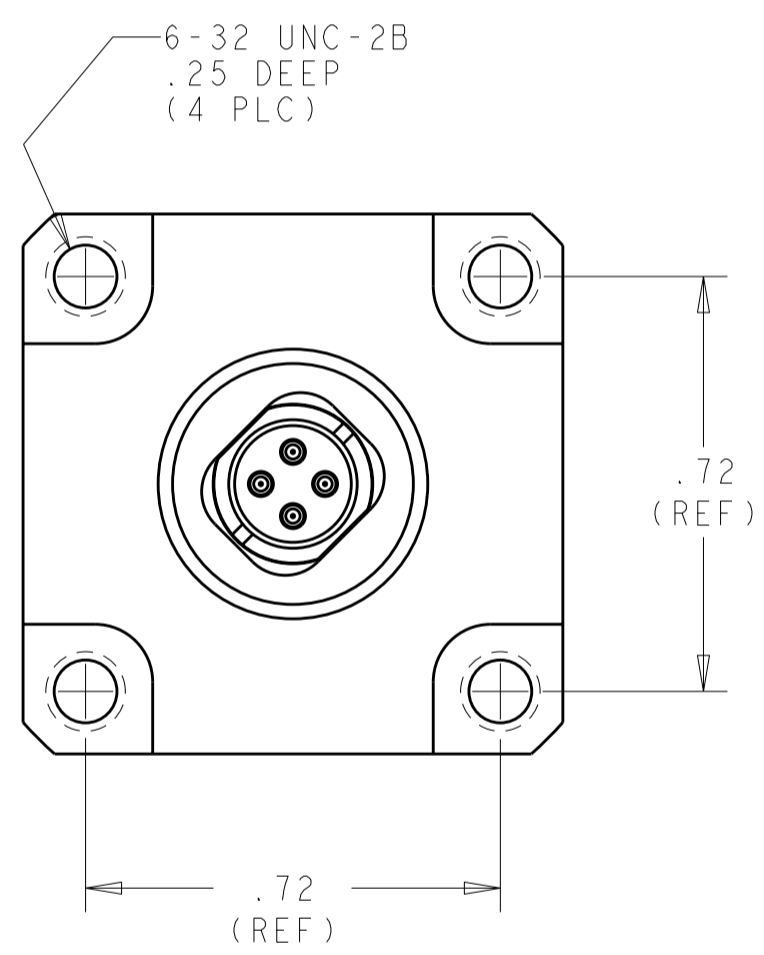


SCALE 3:1



SCALE 3:1

RETENTION CLIP
 MAT'L: STAINLESS STEEL
 FINISH: PLATED SILVER
 OVER NICKEL UNDERPLATE



SECTION A-A

NO CONTACT	NICKEL	"B" KEY	1811184-9
NO CONTACT	NICKEL	"A" KEY	1811184-8
NO CONTACT	NICKEL	"N" KEY	1811184-7
W/CONTACT	NICKEL	"B" KEY	1811184-3
W/CONTACT	NICKEL	"A" KEY	1811184-2
W/CONTACT	NICKEL	"N" KEY	1811184-1
REMARKS	SHELL FINISH	38999 POLARIZATION	PART NUMBER

- PART IS MARKED WITH TE PART NO. (SEE TABLE), (00779) TE LOGO OR TE AND DATE CODE.
- OPERATING TEMPERATURE RANGE: -65°C TO +125°C (-85°F TO +257°F).
- THE CONNECTOR QUALIFICATION WAS COMPLETED PER TE SPEC. 108-2199. THE QUADRAX CONTACTS ARE QUALIFIED PER TE SPEC. 108-2131. THE REFERENCE TEST REPORTS ARE TYCO ELECTRONICS 501-660 FOR THE CONNECTOR AND 501-574 FOR THE CONTACTS WHICH ARE SAME AS ARINC 600-13, DRAFT 2 OF SUPPLEMENT 14 (AIR TRANSPORT AVIONICS EQUIPMENT INTERFACES).

THIS DRAWING IS A CONTROLLED DOCUMENT FOR TYCO ELECTRONICS CORPORATION. IT IS SUBJECT TO CHANGE AND THE CONTROLLING ENGINEERING ORGANIZATION SHOULD BE CONTACTED FOR THE LATEST REVISION.		DWN	JMS	04AUG04	Tyco Electronics Harrisburg, PA 17105-3608
DIMENSIONS: INCHES		CHK	WHB	04AUG04	
TOLERANCES UNLESS OTHERWISE SPECIFIED:		APVD	WHB	04AUG04	
0 PLC ±.1 1 PLC ±0.1 2 PLC ±0.01 3 PLC ±0.001 4 PLC ±0.0001 ANGLES ± FINISH		PRODUCT SPEC		NAME	
MATERIAL		APPLICATION SPEC		RECEPTACLE, 38999 SERIES III, SIZE 9 PCB MOUNT WITH STAND-OFFS, SINGLE QUADRAX	
- -		WEIGHT		SIZE	
CUSTOMER DRAWING		SCALE 3:1		CAGE CODE	
		SHEET 1 OF 1		DRAWING NO	
		REV E		A200779C-1811184	

X-ON Electronics

Largest Supplier of Electrical and Electronic Components

Click to view similar products for [Rack & Panel Connectors](#) category:

Click to view products by [TE Connectivity](#) manufacturer:

Other Similar products are found below :

[00171410002](#) [00171420202](#) [00171440002](#) [02-014-013-5200-000](#) [613467-000](#) [CTJ112E01E-513](#) [CTJ116E03A-513](#) [66020-2](#) [CW8958-000](#)
[699886-000](#) [D250-50632](#) [70.400.3240.0](#) [70.955.2453.3](#) [733753-000](#) [F22831-000](#) [780-522-DPX34RG8-02](#) [8660-501](#) [87.060.0053.0](#)
[900709N001](#) [928358-1](#) [D-659-0061](#) [1-445717-6](#) [1484469-2](#) [1604997-2](#) [MTC100-BF1-P31CS015](#) [MTC100-KT2-0083](#) [MTC100-KT2-0123-](#)
[003](#) [MTC100-YA1-005](#) [MTCQKT1R2PGCA](#) [MTCR-103-04S](#) [MTCX1X-100-100CS025](#) [1738331-1](#) [1757667-1](#) [1811481-1](#) [1883433-1](#)
[201046-7](#) [202648-4](#) [213364-1](#) [226503-000](#) [937028-164](#) [1663130-2](#) [172305-4](#) [AC-660022-701BP](#) [F36711-000](#) [202355-2](#) [202356-2](#) [G16S-A](#)
[G20S-AB](#) [CHA-0017-003](#) [CHA-0296](#)