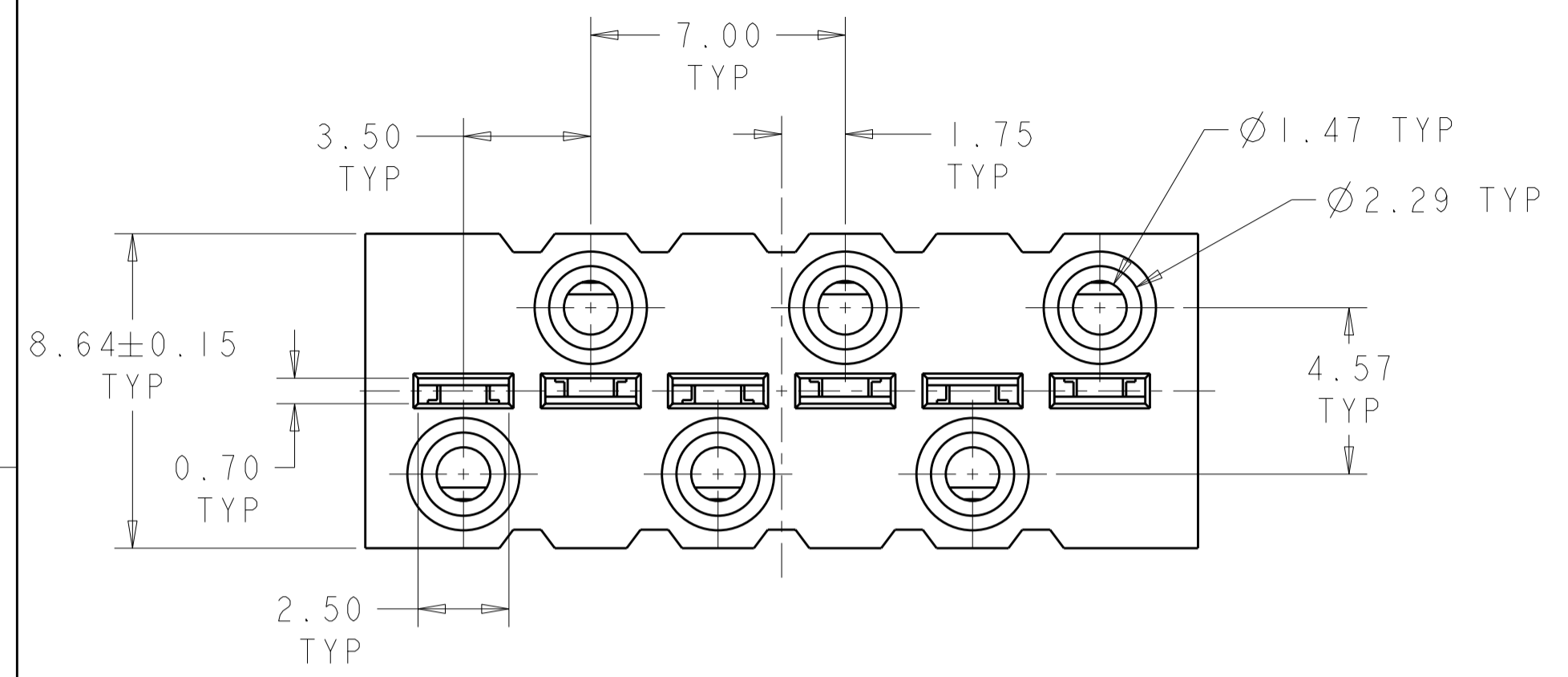
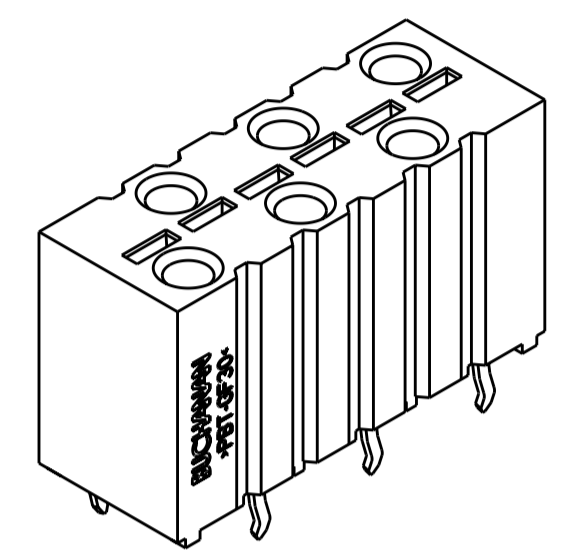


THIS DRAWING IS UNPUBLISHED. RELEASED FOR PUBLICATION 20
 © COPYRIGHT 20 BY TYCO ELECTRONICS CORPORATION. ALL RIGHTS RESERVED.

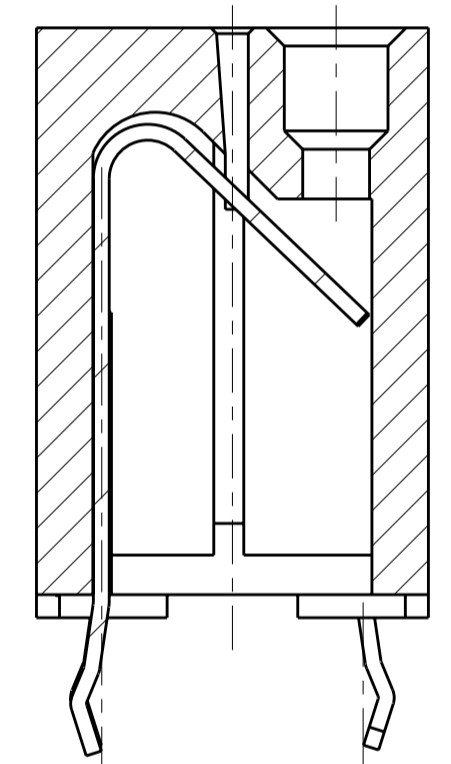
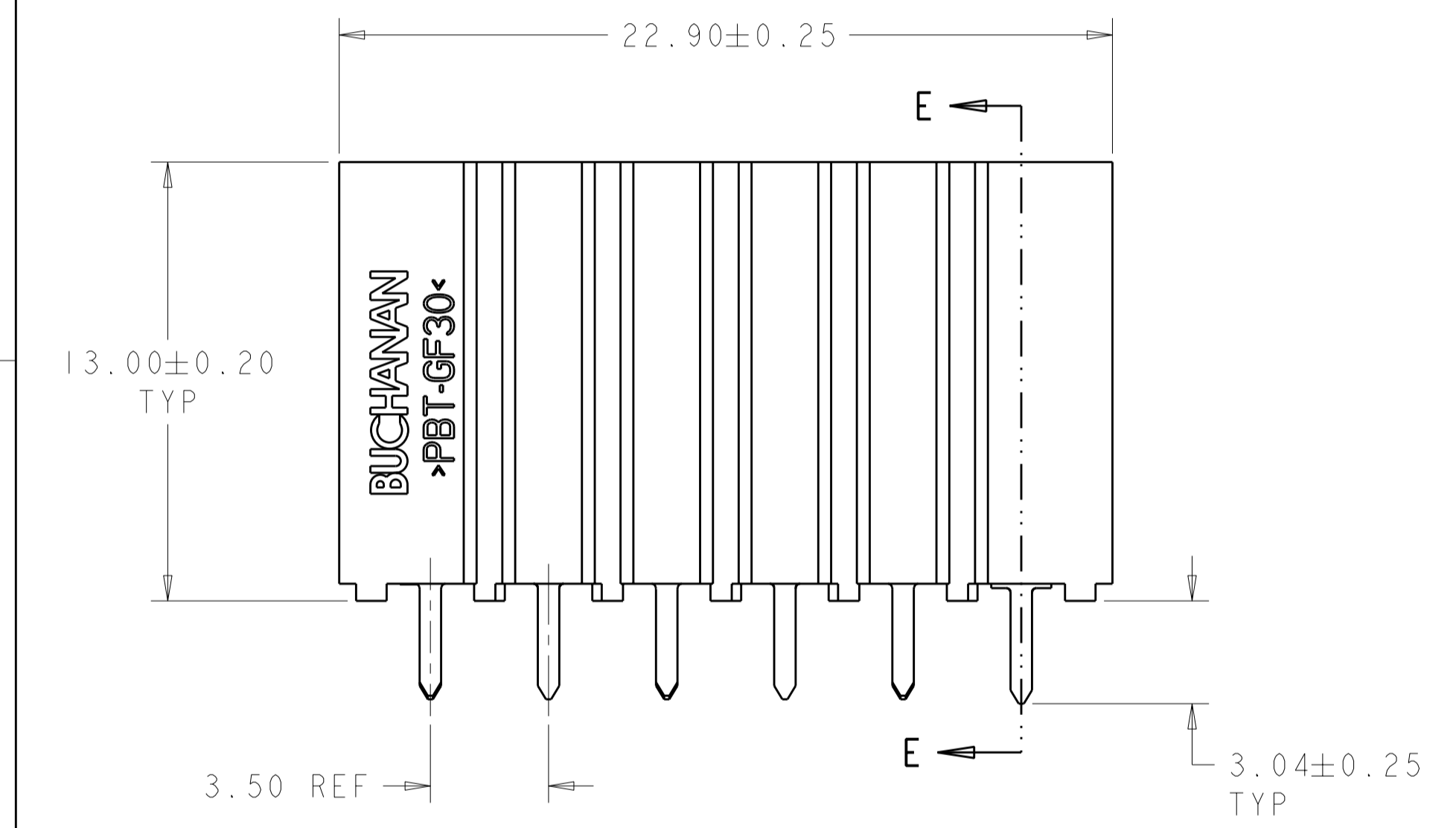
LOC		DIST		REVISIONS			
P	LTR	DESCRIPTION	DATE	DWN	APVD		
	A2	REVISED PER ECR-10-013378	01JUL2010	HMR	DD		



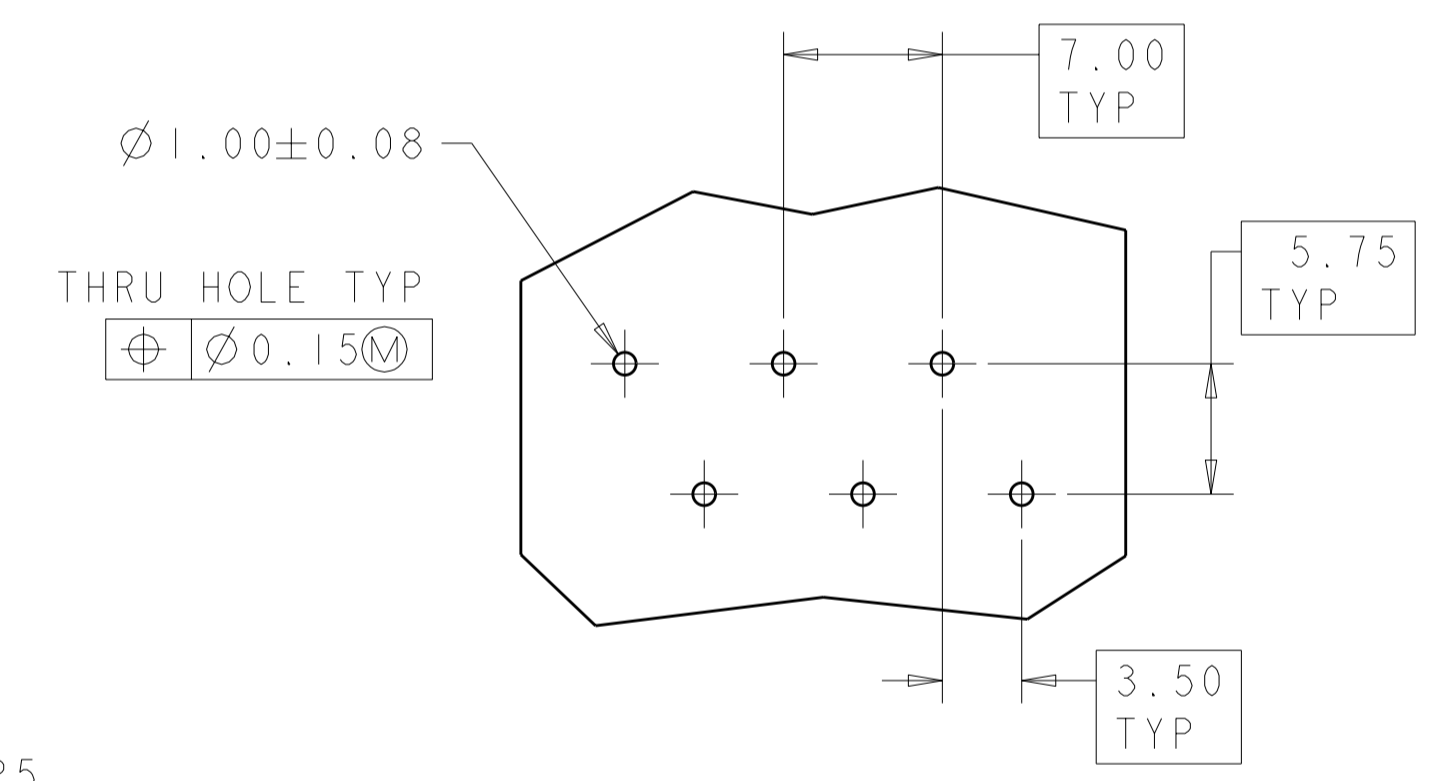
- 1 MATERIAL: HOUSING: PTB, UL94-V0, COLOR BLACK.
CONTACTS: PHOSPHOR BRONZE.
- 2 PLATING: CONTACTS: PRE TIN, 2.5µm MIN
OVER 0.76µm MIN NICKEL
(CONTACT EDGES WILL BE UNPLATED)
- 3 WIRE SIZE: 18AWG SOLID CONDUCTOR
Ø2.16mm MAXIMUM INSULATION.
STRIP LENGTH = 9.53±1.00.
- 4 WHEN WIRE INSULATION STRIP LENGTH IS 9.53mm,
CONDUCTOR TIP WILL BE 1.08mm NOMINAL FROM
BOARD SURFACE WHEN INSULATION BOTTOMS
IN HOUSING CAVITY.



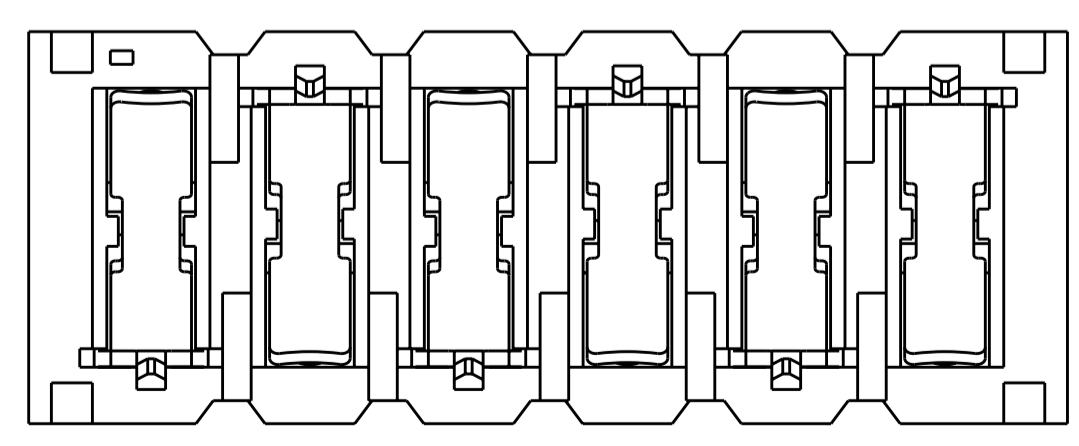
SCALE 3:1



SECTION E-E



PCB HOLE LAYOUT
VIEWED FROM CONNECTOR MOUNTING SIDE
SCALE 3:1



TAPE AND REEL	6	1811398-3
TUBE	6	1811398-2
TRAY	6	1811398-1
PACKAGING	NO OF POSN	PART NO

DIMENSIONS:		TOLERANCES UNLESS OTHERWISE SPECIFIED:		DWN		Tyco Electronics	
mm		0 PLC	±	W.G. LENKER	01OCT04	Tyco Electronics Harrisburg, PA 17105-3608	
		1 PLC	±0.5	CHK	JOHN LANDIS	NAME	
		2 PLC	±0.13	APVD	C. RICHARD	ASSEMBLY, WIRE CONNECTOR, SCREWLESS, VERTICAL	
		3 PLC	±	PRODUCT SPEC	108-2059	SIZE	CAGE CODE
		4 PLC	±	APPLICATION SPEC	114-13075	A2	00779
		ANGLES	±	WEIGHT	-	DRAWING NO	1811398
		FINISH	±	CUSTOMER DRAWING		RESTRICTED TO	-
						SCALE	SHEET
							OF
							REV
							A2

X-ON Electronics

Largest Supplier of Electrical and Electronic Components

Click to view similar products for [Lighting Connectors](#) category:

Click to view products by [TE Connectivity](#) manufacturer:

Other Similar products are found below :

[293300-7](#) [293660-5](#) [CNX_H03_NTP](#) [30-9767-BU](#) [3605](#) [3-21030-1](#) [ZCH-110-RGB-I](#) [503471-0290](#) [ZCH-110-RGB-J](#) [217-0716-200](#)
[1954563-1](#) [1-293657-2](#) [2834036-1](#) [2834037-1](#) [1-2213222-4](#) [2-2213222-4](#) [2213222-4](#) [2834122-3](#) [2834122-5](#) [2834135-2](#) [FLA-R4142-30](#)
[FLA-R4162-30](#) [FLA-R2142-30](#) [FLA-R2141-30](#) [FLA-R2162-30](#) [FLA-R2161-30](#) [FLA-R0161-30](#) [FLA-R0141-30](#) [FLA-R0142-30](#) [FLA-](#)
[R0162-30](#) [FLA-C00-00](#) [DGA00010553](#) [CNXV04NTP](#) [104128-0610](#) [503485-0000 \(Cut Strip\)](#) [503485-0000 \(Loose Piece\)](#) [503485-0000](#)
[\(MINI Reel\)](#) [1-2834074-2](#) [1-2834074-3](#) [1357-AC PLUG W2C \(CHINA\)](#) [1357-AC PLUG W2 \(USA\)](#) [104266-0110](#) [CNXV02NTP](#) [2106212-1](#)
[2-2834074-2](#) [104266-0210](#) [293470-1](#) [293651-2](#) [293651-4](#) [1-2834006-2](#)