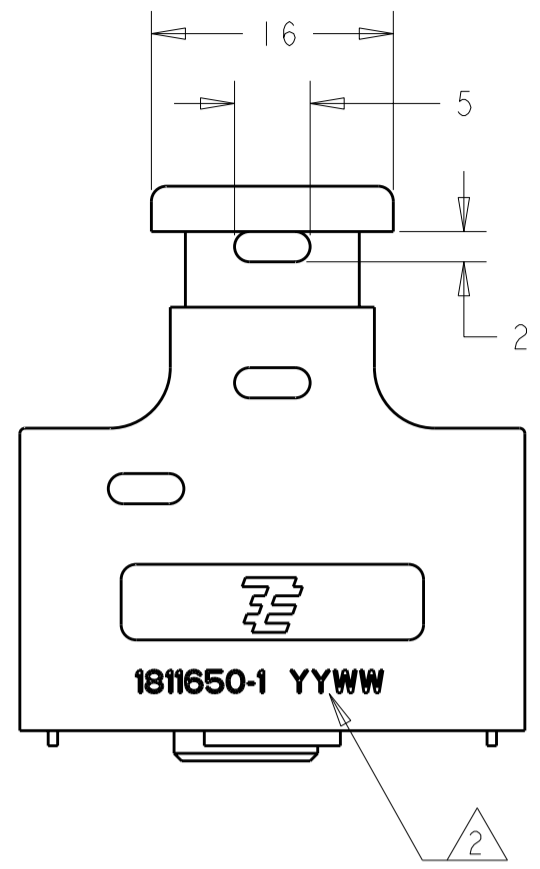
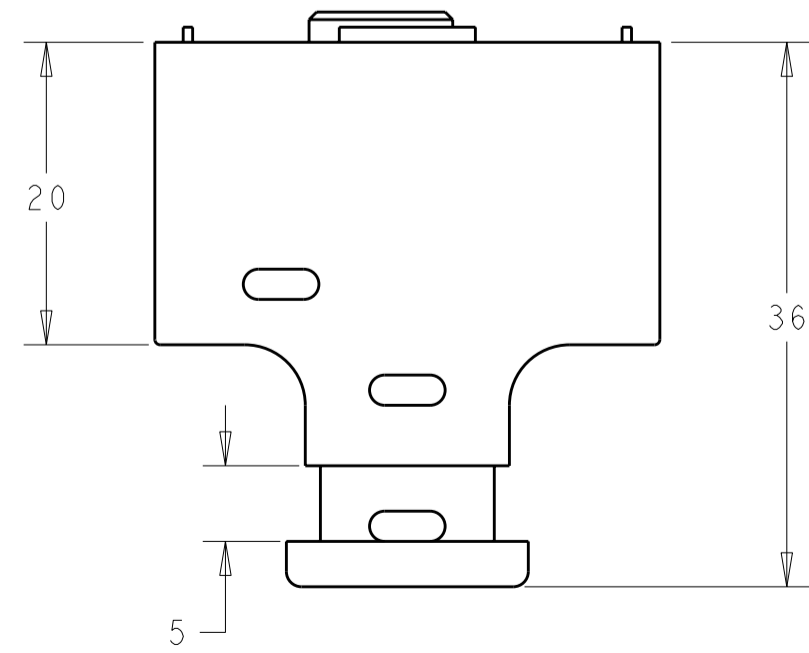
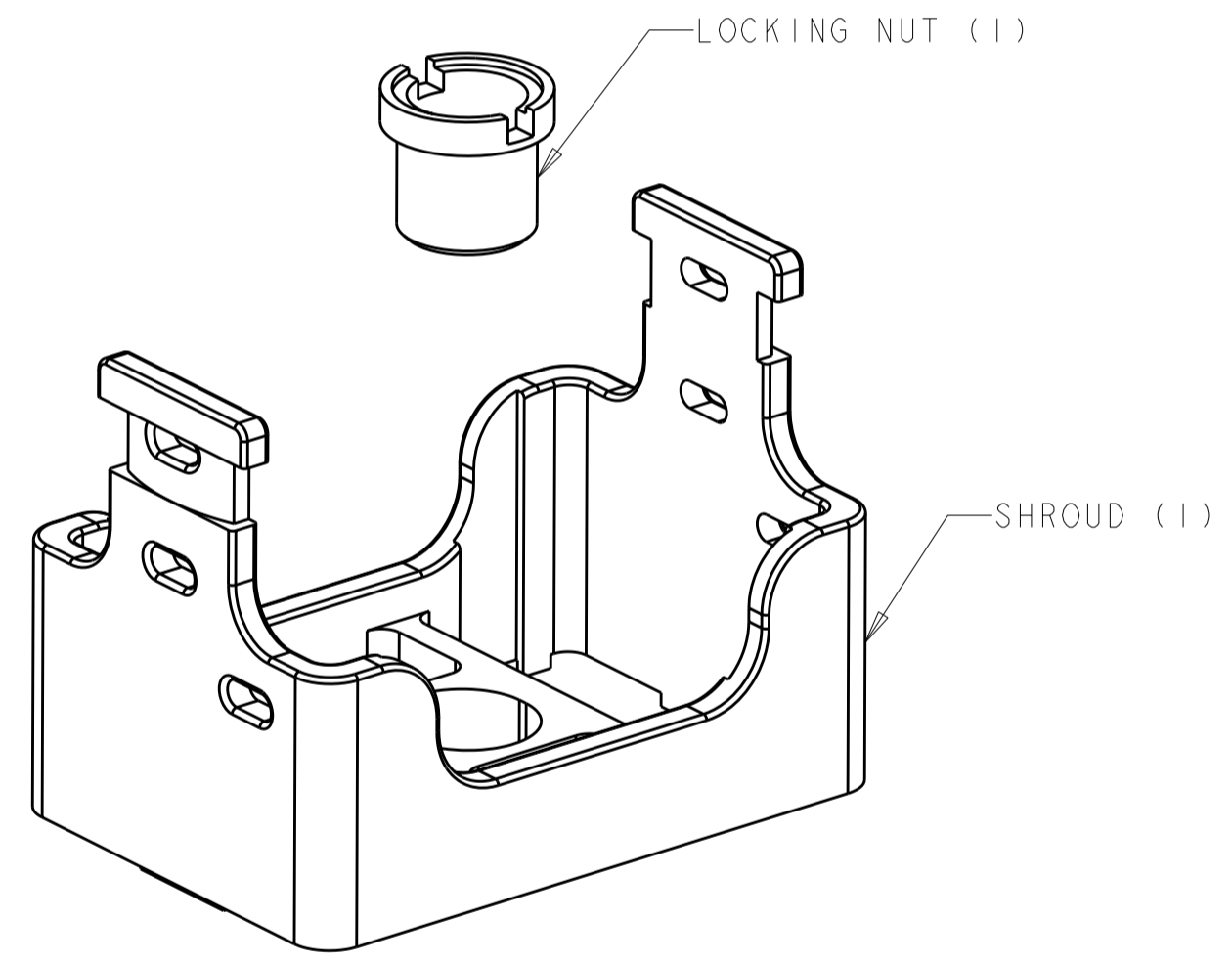
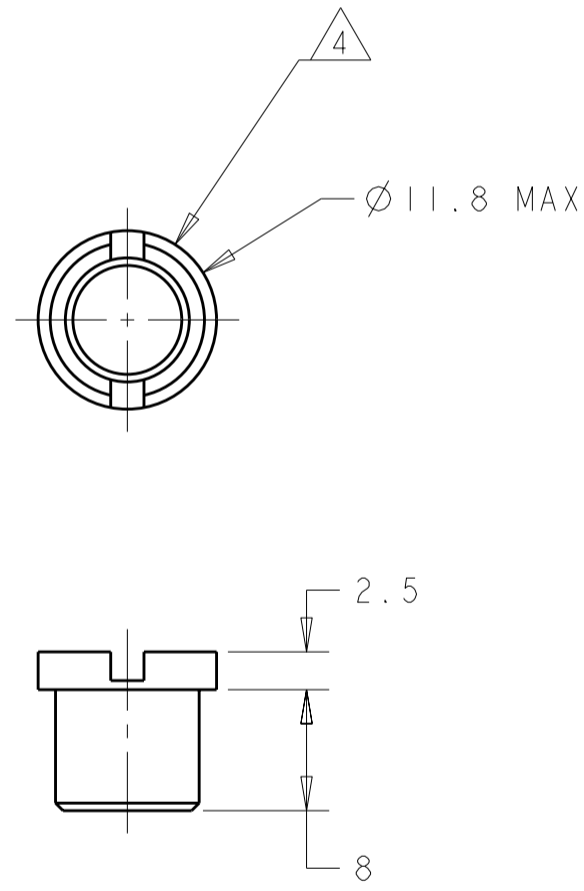
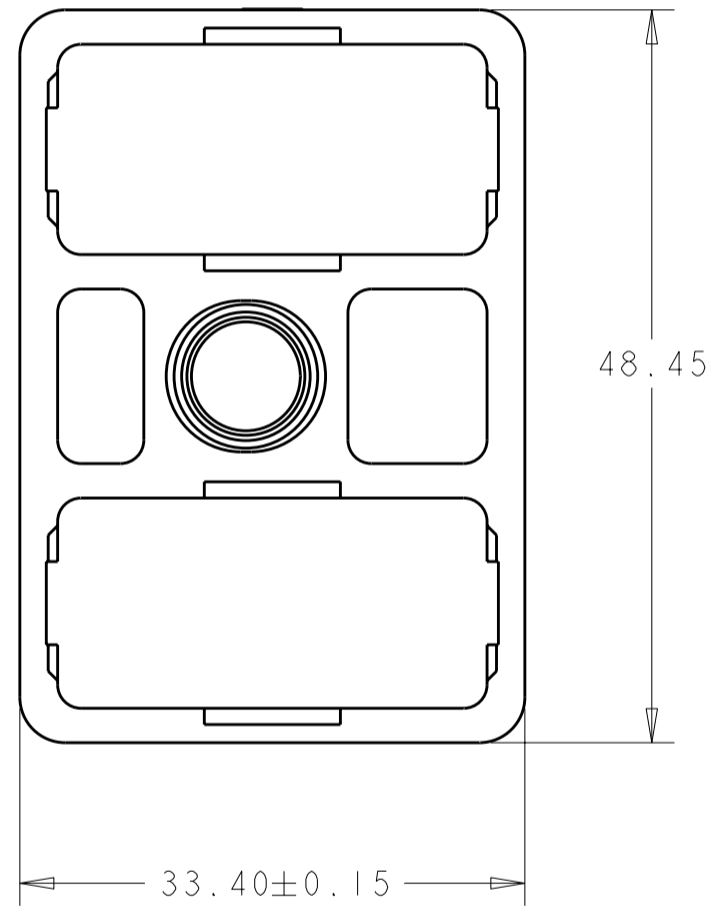


THIS DRAWING IS UNPUBLISHED. RELEASED FOR PUBLICATION 20  
 © COPYRIGHT 20 BY TYCO ELECTRONICS CORPORATION. ALL RIGHTS RESERVED.

LOC		DIST		REVISIONS			
P	LTR	DESCRIPTION	DATE	DWN	APVD		
DF	A5	A	REV PER ECO-06-011653	27MAY06	BW	JPM	
		B	REV PER ECO 07-019834	23AUG2007	CT	KH	
		C	REVISED PER ECO-10-009274	20APR2010	RF	JM	
		D	REVISED PER ECO-10-014982	27JUL2010	DF	JM	



- ① SHROUD: GLASS-FILLED PA46 THERMOPLASTIC, UL 94 V-0 RATED, COLOR: BLACK  
 LOCKING NUT: STAINLESS STEEL PER AISI 316.
- ② DATE CODE - YEAR & WEEK (YY WW).
- 3. THE SHROUD AND LOCKING NUT ARE SHIPPED UNASSEMBLED.
- ④ A SPANNER WRENCH TOOL, TYCO ELECTRONICS P/N 1738220-1 (WITH 1/4-in. ADAPTER) OR 1738221-1 (WITH T-HANDLE) IS USED TO LOCK THE RETAINING NUT TO THE JACKSCREW OF THE CORRESPONDING GPR CONNECTOR.
- 5. THIS PRODUCT IS SOLD BY TYCO ELECTRONICS UNDER A LICENSE FROM RADIAL SA.



1811650-1  
 PART NUMBER

THIS DRAWING IS A CONTROLLED DOCUMENT FOR TYCO ELECTRONICS CORPORATION. IT IS SUBJECT TO CHANGE AND THE CONTROLLING ENGINEERING ORGANIZATION SHOULD BE CONTACTED FOR THE LATEST REVISION.		DWN	BW	11FEB2005	Tyco Electronics Harrisburg, PA 17105-3608	
DIMENSIONS:		CHK	JPM	11FEB2005	NAME STRAIN RELIEF KIT, VERTICAL, GPRB2	
mm	TOLERANCES UNLESS OTHERWISE SPECIFIED:	APVD	JPM	11FEB2005	SIZE	CAGE CODE
	0 PLC ±0.2	PRODUCT SPEC			A200779	DRAWING NO
	1 PLC ±0.1	APPLICATION SPEC			C-1811650	RESTRICTED TO
	2 PLC ±0.1					
	3 PLC ±	WEIGHT				
	4 PLC ±					
	ANGLES ±	CUSTOMER DRAWING				
	FINISH ±	SCALE	2:1	SHEET	1	OF
MATERIAL	①					REV
						D

## X-ON Electronics

Largest Supplier of Electrical and Electronic Components

*Click to view similar products for [Rack & Panel Connectors](#) category:*

*Click to view products by [TE Connectivity](#) manufacturer:*

Other Similar products are found below :

[00171410002](#) [00171420202](#) [00171440002](#) [02-014-013-5200-000](#) [613467-000](#) [CTJ112E01E-513](#) [CTJ116E03A-513](#) [66020-2](#) [CW8958-000](#)  
[699886-000](#) [D250-50632](#) [70.400.3240.0](#) [70.955.2453.3](#) [733753-000](#) [F22831-000](#) [780-522-DPX34RG8-02](#) [8660-501](#) [87.060.0053.0](#)  
[900709N001](#) [928358-1](#) [D-659-0061](#) [1-445717-6](#) [1484469-2](#) [1604997-2](#) [MTC100-BF1-P31CS015](#) [MTC100-KT2-0083](#) [MTC100-KT2-0123-](#)  
[003](#) [MTC100-YA1-005](#) [MTCQKT1R2PGCA](#) [MTCR-103-04S](#) [MTCX1X-100-100CS025](#) [1738331-1](#) [1757667-1](#) [1811481-1](#) [1883433-1](#)  
[201046-7](#) [202648-4](#) [213364-1](#) [226503-000](#) [937028-164](#) [1663130-2](#) [172305-4](#) [AC-660022-701BP](#) [F36711-000](#) [202355-2](#) [202356-2](#) [G16S-A](#)  
[G20S-AB](#) [CHA-0017-003](#) [CHA-0296](#)