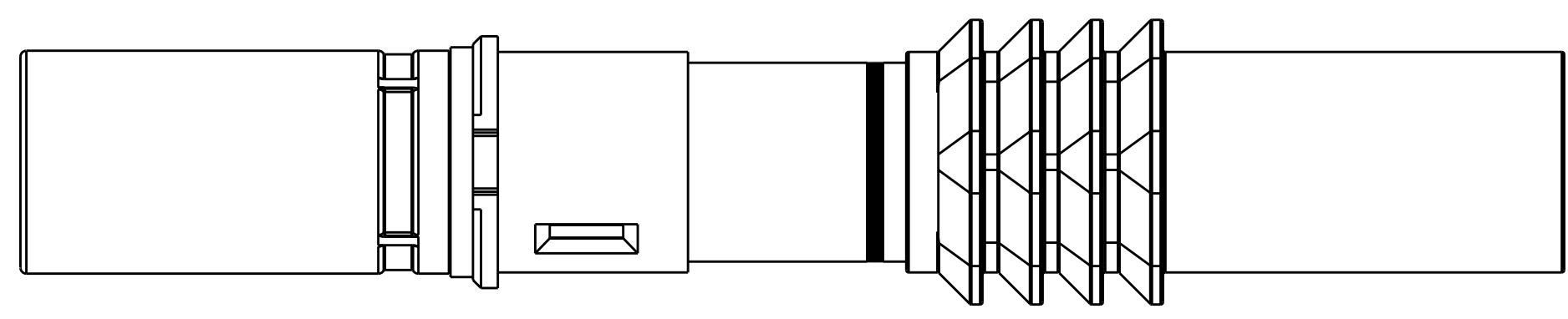
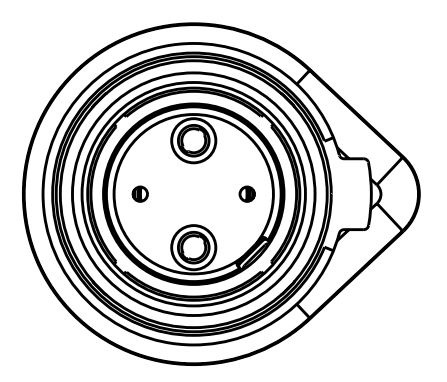
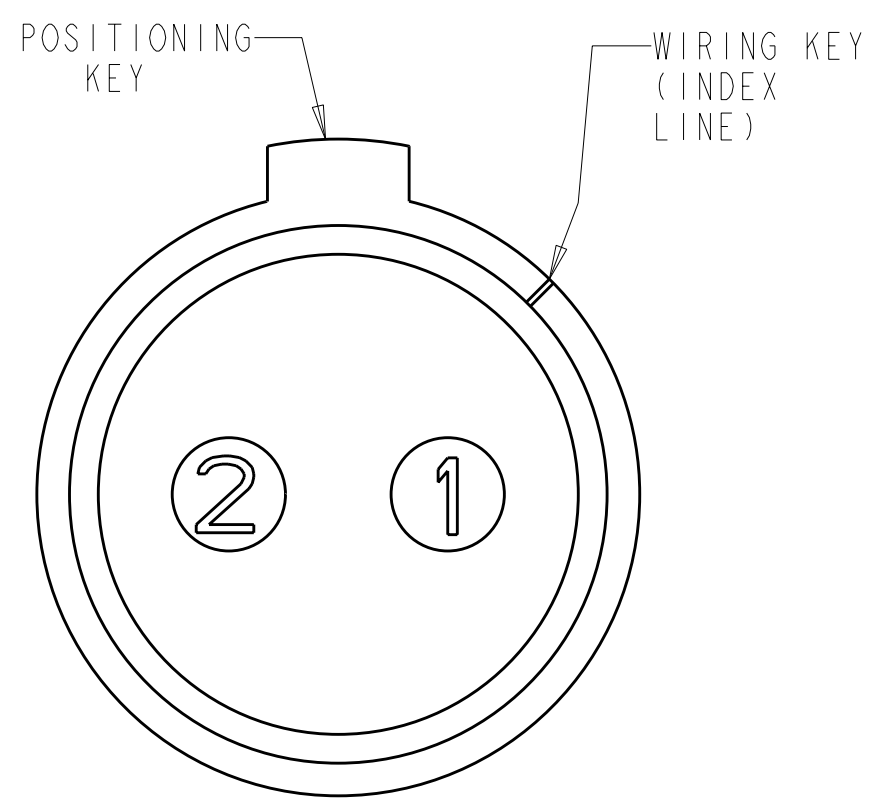
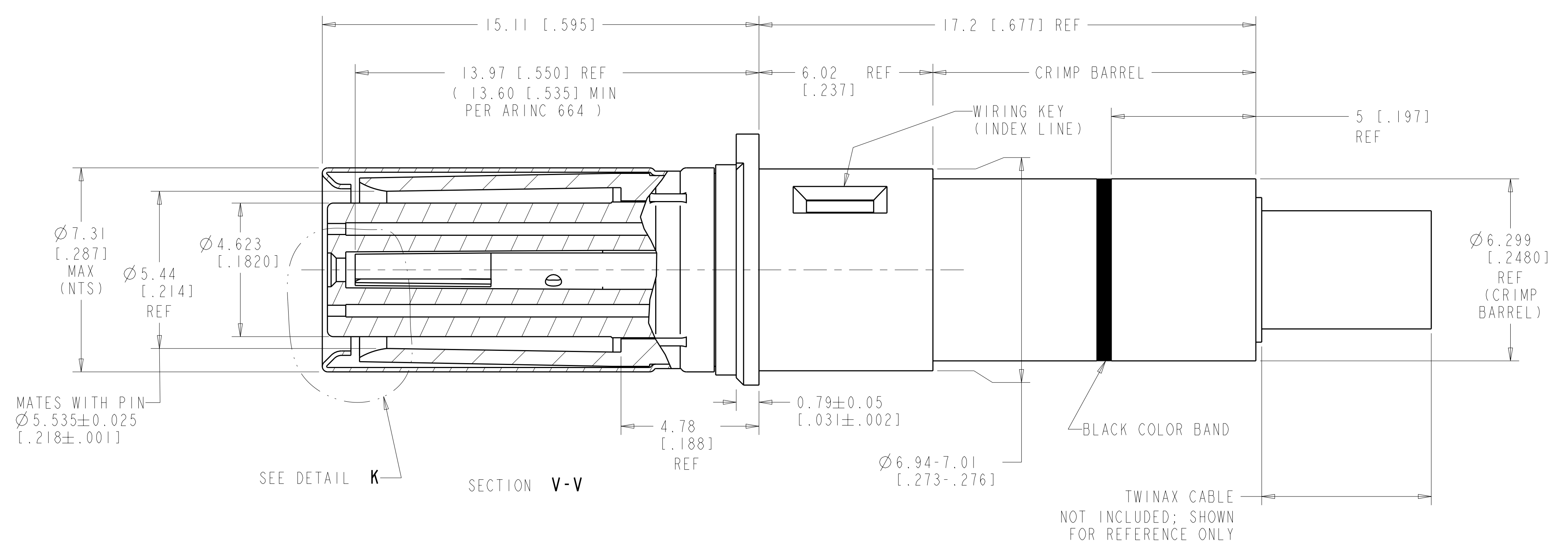
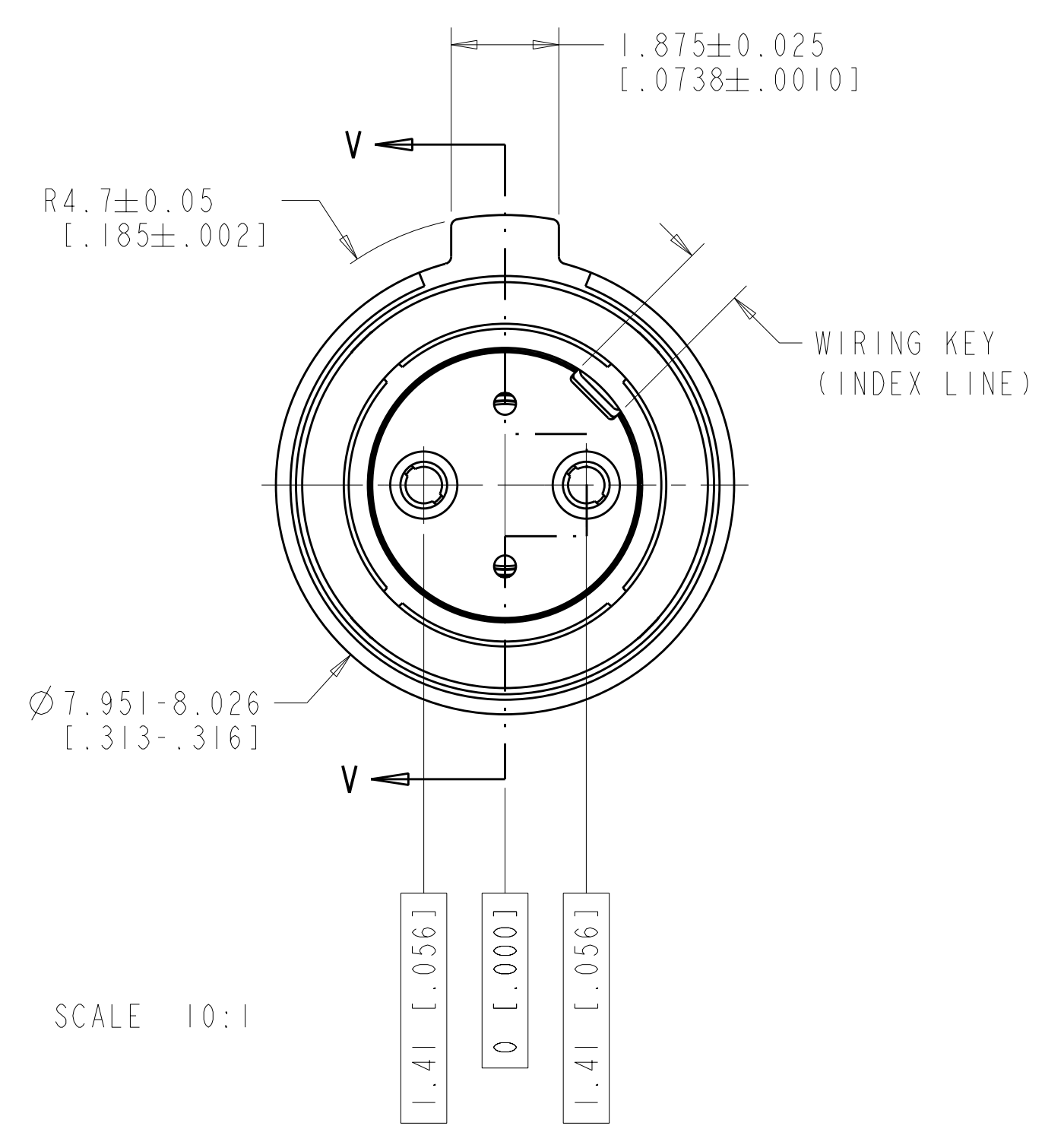


LOC	DIST	REV	DATE	BY	APPD
-	-	1			
		2	10MAY05	BH	RW
		3	19JUN06	JRE	JRE
		4	17MAY2007	DF	RW
		5	14AUG2007	DF	RW

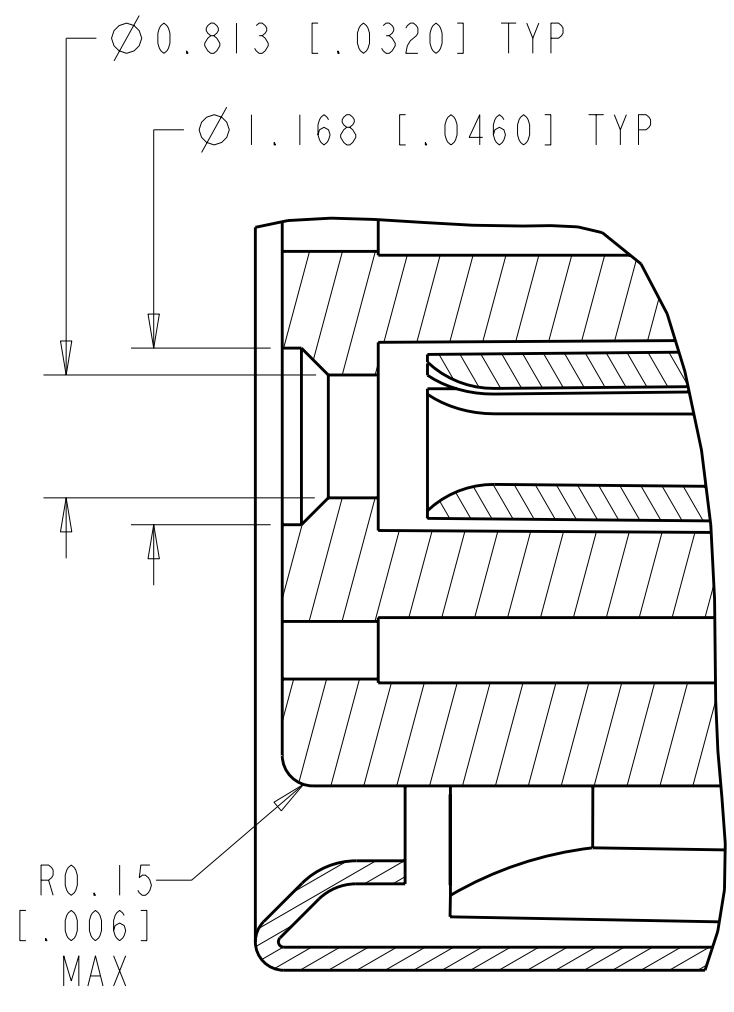


1811866-2/-4 TWINAX (FIG. 2)
SOCKET ASSY WITH WIRE SEAL
SCALE 5:1

**CONTACT CAVITY NUMBERING
STANDARD CAVITY NUMBER ASSIGNMENT**



THIS PRODUCT HAS NOT COMPLETED VALIDATION TESTING



- COMPONENTS ARE PACKAGED IN KIT FORM. CABLE MUST BE PURCHASED SEPARATELY.
- USE INSERTION-EXTRACTION TOOL 1738196-1.

P/N:	DESCRIPTION	PART NO.
P/N: 1726A1424; (120 ohms, 26 AWG)	AS SHOWN (FIG.2); WITH WIRE SEAL	1811866-4
P/N: 1726A1424; (120 ohms, 26 AWG)	AS SHOWN; WITHOUT WIRE SEAL	1811866-3
P/N: 0024T1426; (100 ohms, 24 AWG)	AS SHOWN (FIG.2); WITH WIRE SEAL	1811866-2
P/N: 0024T1426; (100 ohms, 24 AWG)	AS SHOWN; WITHOUT WIRE SEAL	1811866-1
RECOMMENDED RAYCHEM CABLE		

DIMENSIONS:	TOLERANCES UNLESS OTHERWISE SPECIFIED:	DATE	BY	APPD	NAME
mm [INCH]	0 PLC ± 1 PLC ±0.2 [.008] 2 PLC ±0.13 [.005] 3 PLC ±0.051 [.002] 4 PLC ± ANGLES ±	15MAR2005	Brent D. Tohn		Tyco Electronics Harrisburg, PA 17105-3608
MATERIAL	FINISH	PRODUCT SPEC	APPLICATION SPEC	WEIGHT	ASSY, SOCKET, TWINAX RR-RR, .218 HEX CRIMP
		SIZE	CAGE CODE	DRAWING NO	RESTRICTED TO
		A1	00779	1811866	
CUSTOMER DRAWING		SCALE	SHEET	OF	REV
		5:1	1	1	5

X-ON Electronics

Largest Supplier of Electrical and Electronic Components

Click to view similar products for [Rack & Panel Connectors](#) category:

Click to view products by [TE Connectivity](#) manufacturer:

Other Similar products are found below :

[00170420102](#) [00171420202](#) [00171440002](#) [008026165000265](#) [00-8219-072-000-112P44](#) [008219072000112P5](#) [008219072000112P61](#) [00-8223-096-580-102](#) [02-014-013-5200-000](#) [00-8129-015-610-108](#) [613467-000](#) [CTJ112E01E-513](#) [CTJ116E03A-513](#) [M81714/63-22S L/C](#) [M81714/65-12-1](#) [66020-2](#) [CW8958-000](#) [699886-000](#) [D250-50632](#) [70.400.3240.0](#) [70.955.2453.3](#) [733753-000](#) [F22831-000](#) [780-522-DPX34RG8-02](#) [MMA25-0051R1](#) [MMA25-0341D1](#) [8660-501](#) [87.060.0053.0](#) [900709N001](#) [QRP4-12P-C\(01\)](#) [QR/P6-6S-C\(01\)](#) [AC-600003-004](#) [1218600-1](#) [D-659-0061](#) [DMC-MD 24 C-T](#) [1-445717-6](#) [1484398-2](#) [1484399-2](#) [1484469-2](#) [MR-34MG](#) [1484225-1](#) [1484398-1](#) [1484510-4](#) [1604997-2](#) [1663130-1](#) [1663767-7](#) [1663767-8](#) [MTC100-BF1-P31CS015](#) [MTC100-KT2-0083](#) [MTC100-KT2-0123-003](#)