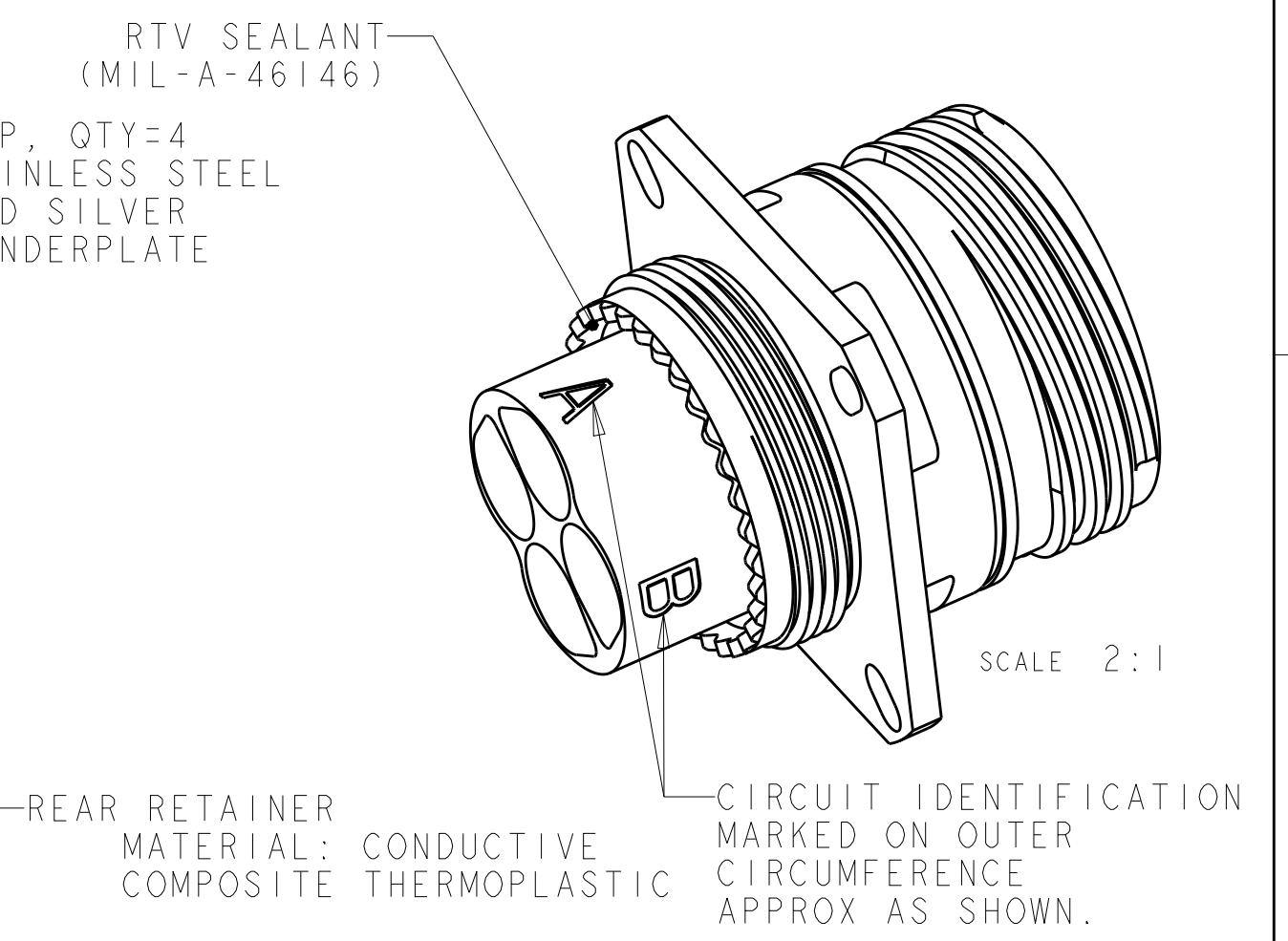
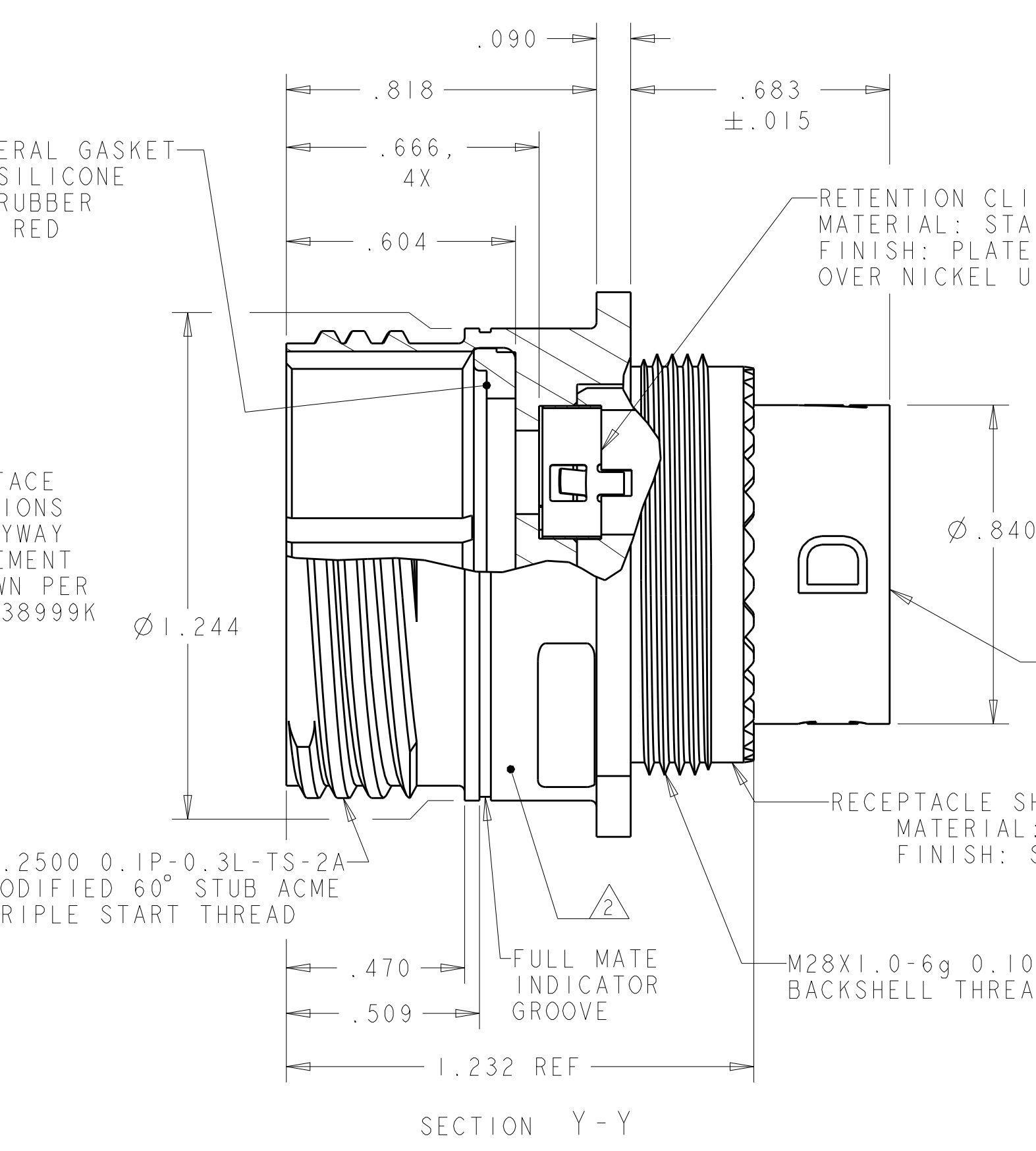
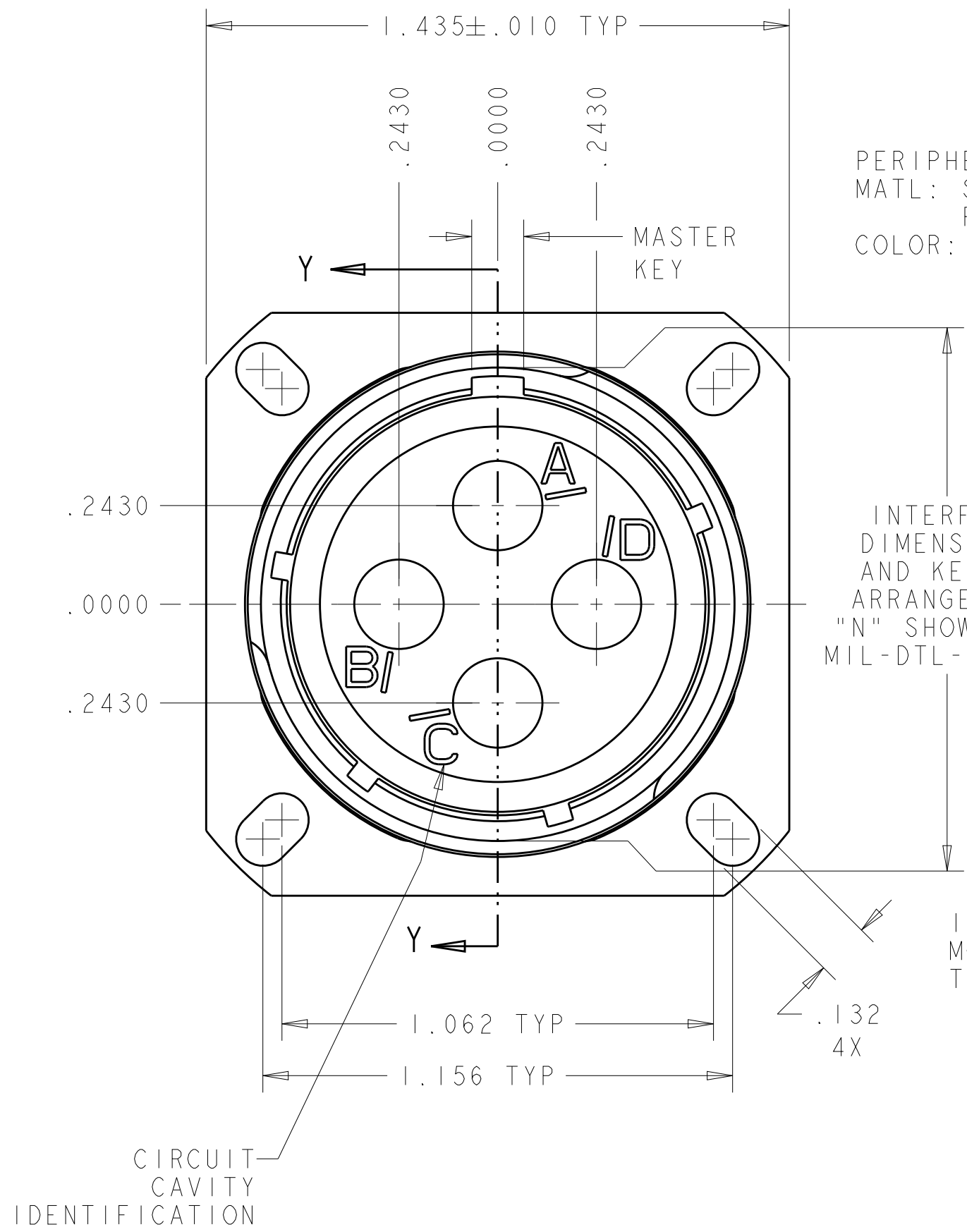


THIS DRAWING IS UNPUBLISHED. RELEASED FOR PUBLICATION 20
 © COPYRIGHT 20 BY - ALL RIGHTS RESERVED.

REVISIONS				
P	LTR	DESCRIPTION	DATE	APVD
F		REV PER ECO 16-013700	9-21-16	CT DM



- THIS CONNECTOR ACCEPTS TE CONNECTIVITY QUADRAX PIN ASSEMBLY; PART NUMBER 1445692-3 or 1877039-2.
- PART IS MARKED WITH TE CONNECTIVITY PART NO. (SEE TABLE), TE CONNECTIVITY LOGO OR TE, TE CAGE CODE, AND DATE CODE.
- OPERATING TEMPERATURE RANGE: -65°C TO +125°C (-85°F TO +257°F).
- QUADRAX PIN ASSEMBLY, 1445692-3 SHOWN FOR REF ONLY
 -1, -2, -3, -10, -11, -12, -13, 14, & 15: CONTACT PROVIDED UN-ASSEMBLED
 -7, -8, & -9 : CONTACT SOLD SEPARATELY
- THE CONNECTOR QUALIFICATION WAS COMPLETED PER TEC 108-2199. THE QUADRAX CONTACTS ARE QUALIFIED PER TEC 108-2131. THE REFERENCE TEST REPORTS ARE TEC 501-660 FOR THE CONNECTOR AND 501-574 FOR THE CONTACTS WHICH ARE SAME AS ARINC 600-13, DRAFT 2 OF SUPPLEMENT 14 (AIR TRANSPORT AVIONICS EQUIPMENT INTERFACES).

OLIVE DRAB	-	B	1-1811901-8
OLIVE DRAB	-	A	1-1811901-7
OLIVE DRAB	-	N	1-1811901-6
NICKEL	1877039-2	B	1-1811901-5
NICKEL	1877039-2	A	1-1811901-4
NICKEL	1877039-2	N	1-1811901-3
OLIVE DRAB	1445692-3	B	1-1811901-2
OLIVE DRAB	1445692-3	A	1-1811901-1
OLIVE DRAB	1445692-3	N	1-1811901-0
NICKEL	-	B	1811901-9
NICKEL	-	A	1811901-8
NICKEL	-	N	1811901-7
NICKEL	1445692-3	B	1811901-3
NICKEL	1445692-3	A	1811901-2
NICKEL	1445692-3	N	1811901-1
SHELL FINISH	QUADRAX CONTACT QTY=4	SHELL KEYING ARRANGEMENT	PART NUMBER

THIS DRAWING IS A CONTROLLED DOCUMENT. DWN R FLAIG 02AUG2005
 CHK L OH 02AUG2005
 APVD L OH 02AUG2005

STE TE Connectivity

NAME ASSY, RECEPTACLE, SIZE 19, 404, M38999 STYLE

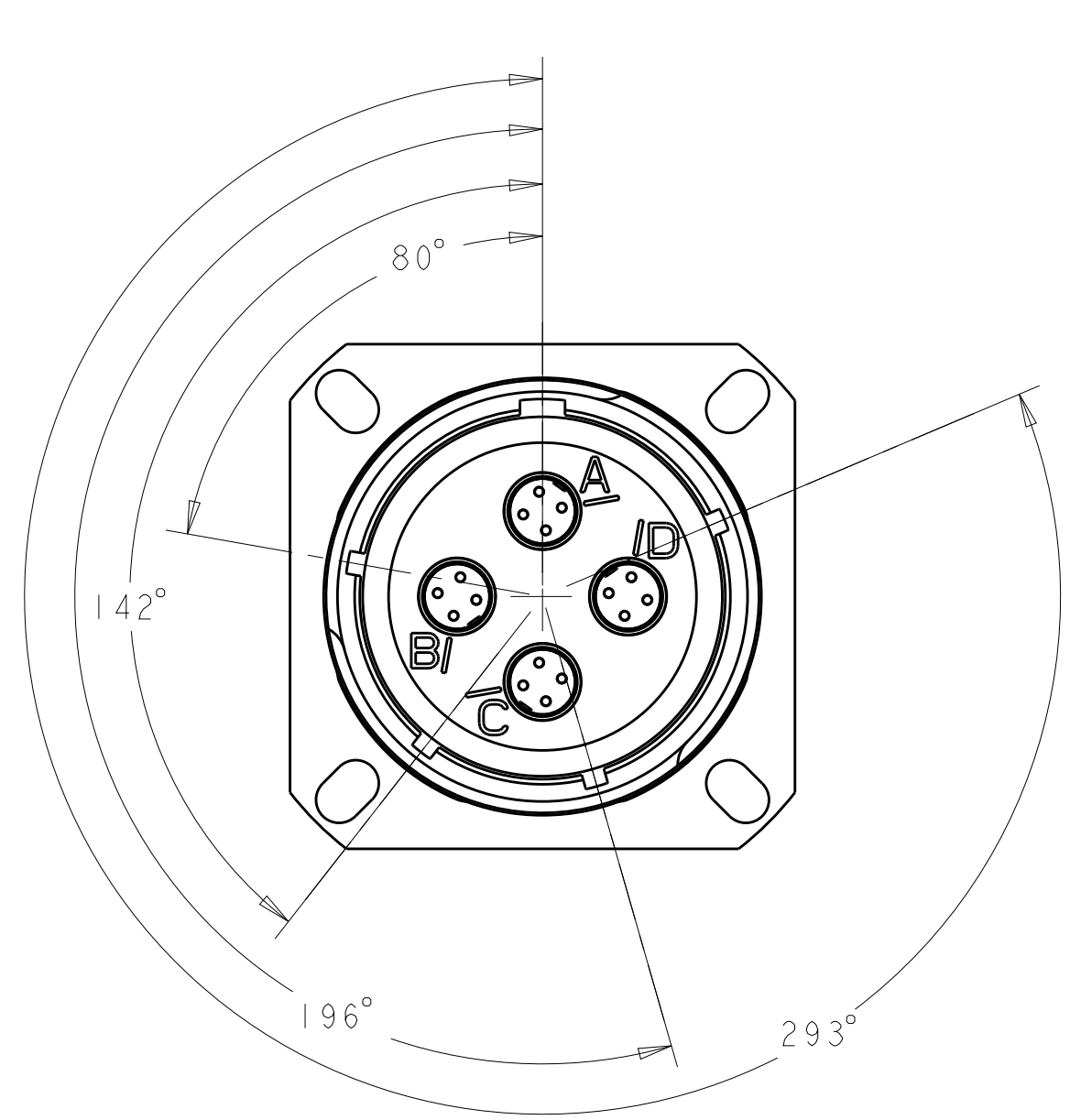
SIZE A2 CAGE CODE - DRAWING NO C-1811901 RESTRICTED TO -

MATERIAL - DIMENSIONS: INCHES TOLERANCES UNLESS OTHERWISE SPECIFIED: 0 PLC ±.1, 1 PLC ±.01, 2 PLC ±.005, 3 PLC ±.0020, 4 PLC ANGLES ±1" FINISH -

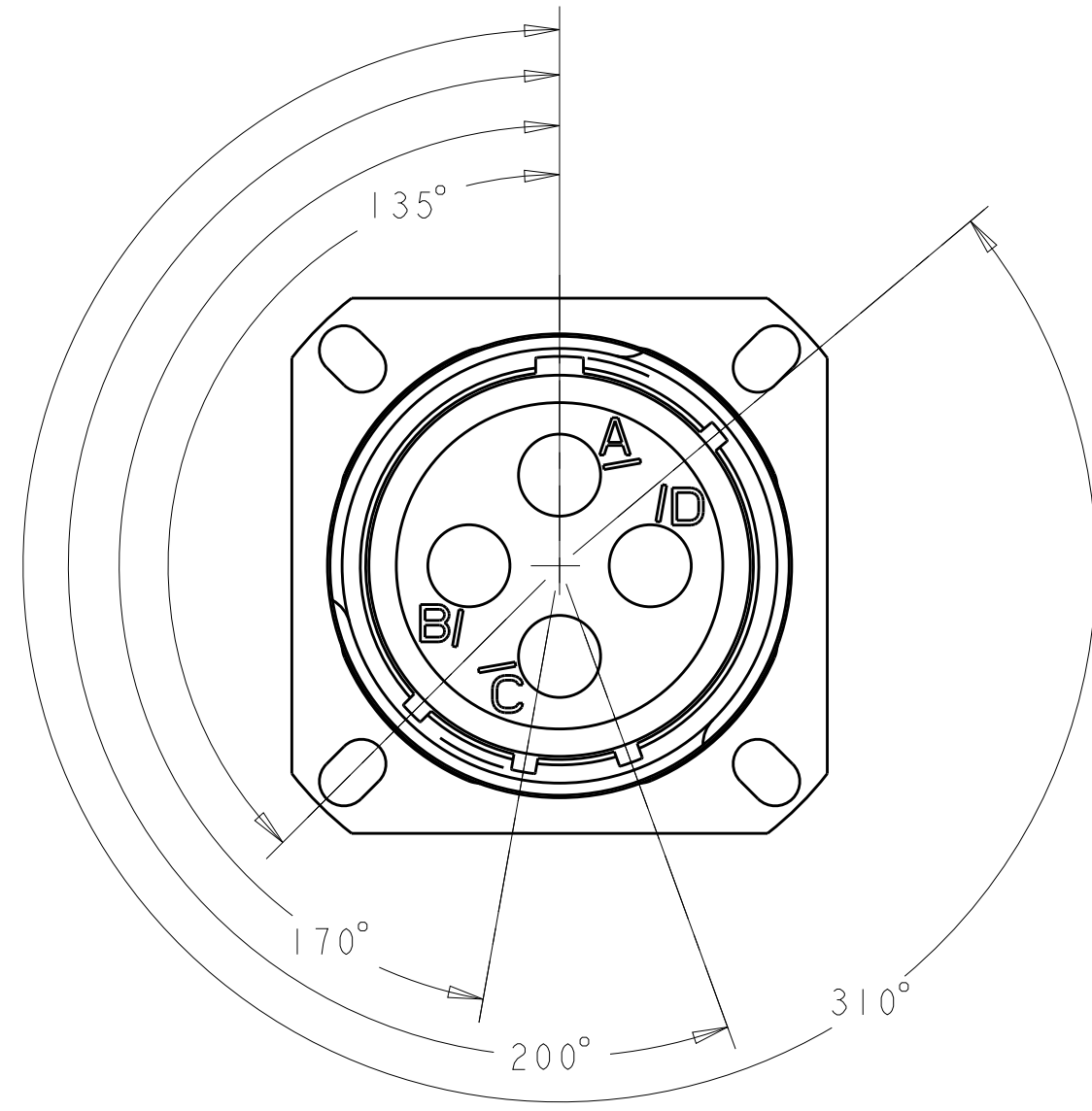
PRODUCT SPEC - APPLICATION SPEC - WEIGHT - CUSTOMER DRAWING SCALE 3:1 SHEET 1 OF 2 REV F

THIS DRAWING IS UNPUBLISHED. RELEASED FOR PUBLICATION 20
 © COPYRIGHT 20 BY - ALL RIGHTS RESERVED.

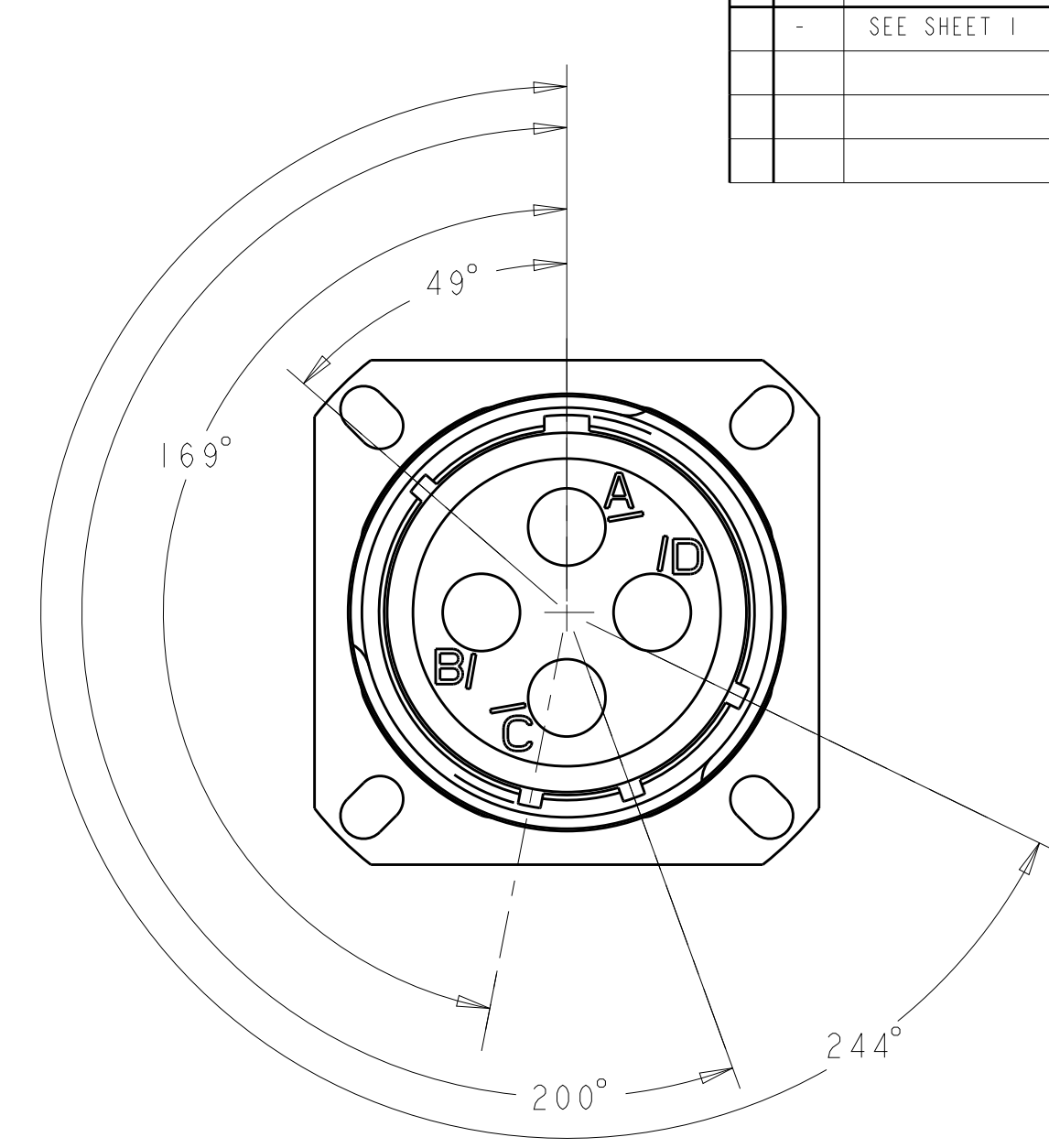
REVISIONS				
P	LTR	DESCRIPTION	DATE	APVD
-		SEE SHEET 1	-	-



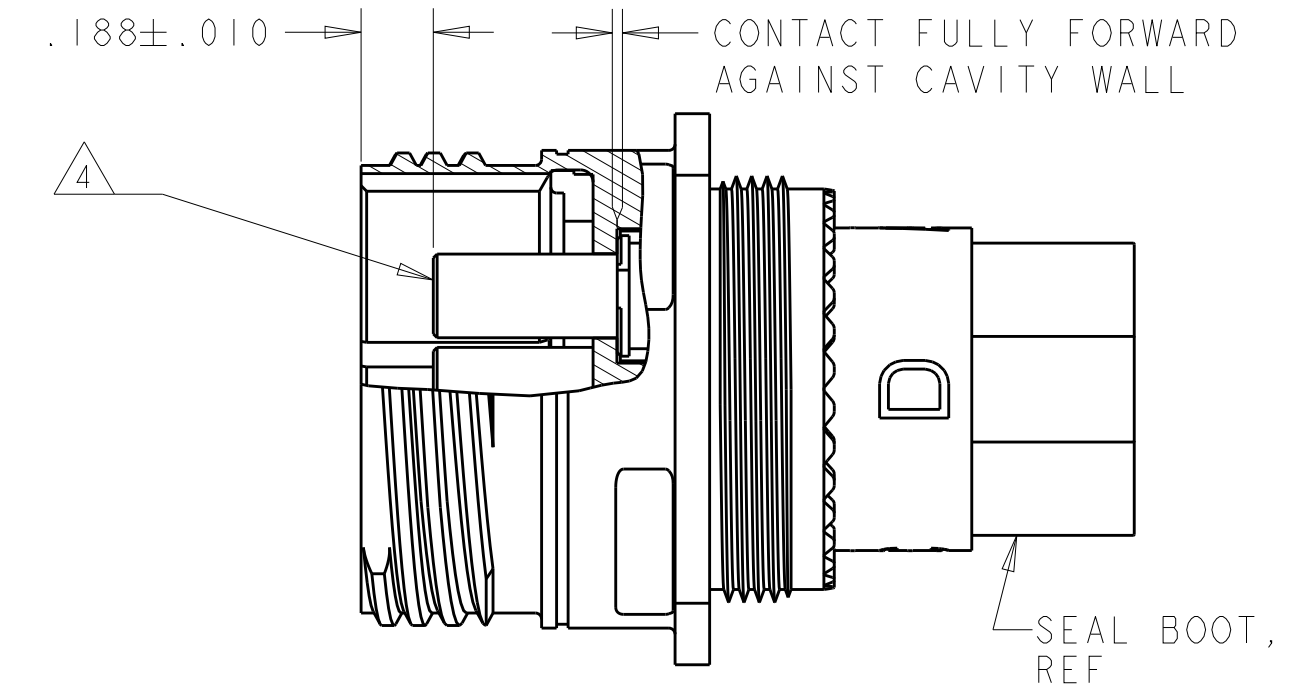
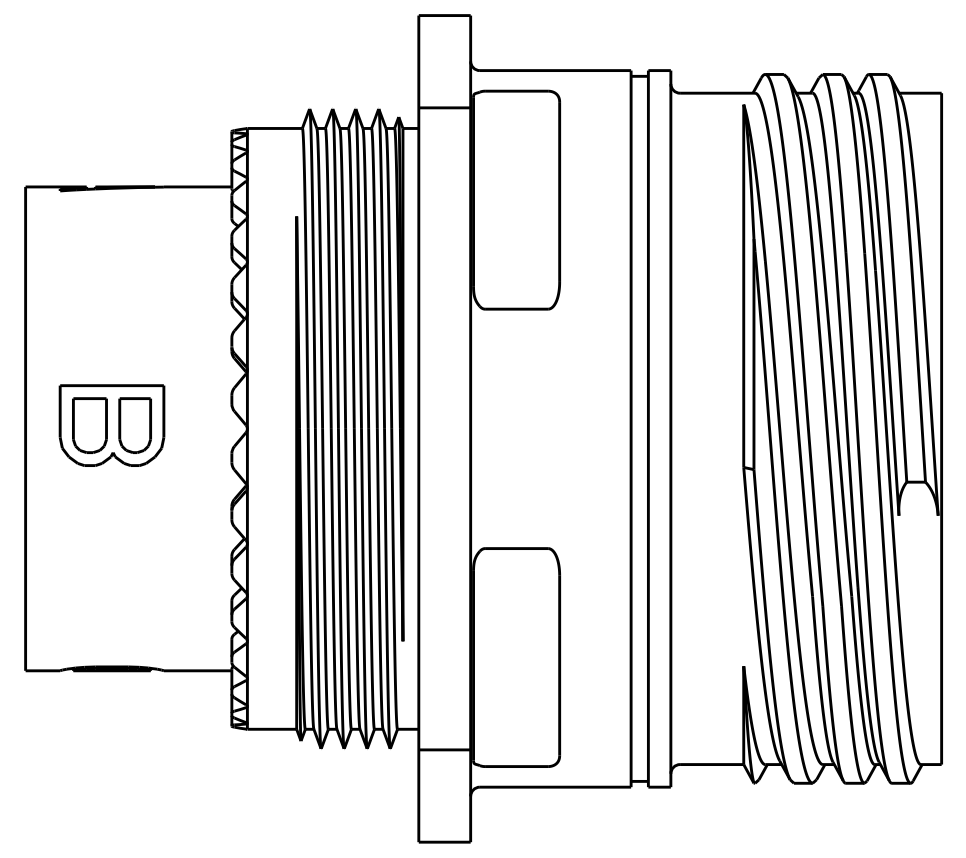
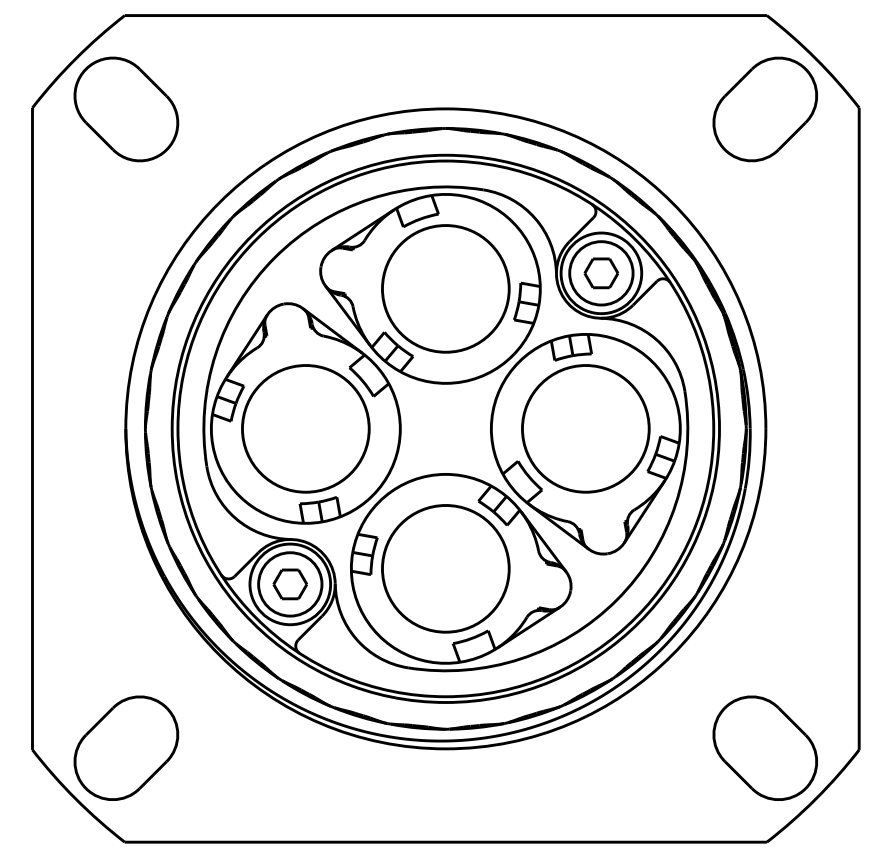
1811901-1
"N" POLARIZATION



1811901-2
"A" KEY POLARIZATION



1811901-3
"B" KEY POLARIZATION



SECTION Y-Y
SCALE 2:1

THIS DRAWING IS A CONTROLLED DOCUMENT.		DWN R FLAIG	02AUG2005	STE TE Connectivity	
DIMENSIONS: INCHES		CHK L OH	02AUG2005		
TOLERANCES UNLESS OTHERWISE SPECIFIED:		APVD L OH	02AUG2005	NAME ASSY, RECEPTACLE, SIZE 19, 404, M38999 STYLE	
0 PLC ±.1		PRODUCT SPEC		SIZE A2	
1 PLC ±.01		APPLICATION SPEC		CAGE CODE -	
2 PLC ±.005		WEIGHT		DRAWING NO G-1811901	
3 PLC ±.0020		CUSTOMER DRAWING		RESTRICTED TO -	
4 PLC ±.0020		SCALE 3:1		SHEET 2 OF 2	
ANGLES ±1°		REV F			
FINISH					

X-ON Electronics

Largest Supplier of Electrical and Electronic Components

Click to view similar products for [Standard Circular Connector](#) category:

Click to view products by [TE Connectivity](#) manufacturer:

Other Similar products are found below :

[5M2530B10P](#) [600259N006](#) [600273N007](#) [6134-336-13149](#) [6134-337-11149](#) [6134-337-2390](#) [6134-341-17149](#) [6280-4SG-516](#) [6280-7SG-3DC](#)
[6290](#) [6291A](#) [66200A-10](#) [680-SMG](#) [681-PMG](#) [CXS3102A14S2P](#) [CXS3102A181S](#) [7251-5SG-300](#) [7271-6SG-300](#) [7282-3PG-300-CH3](#) [75-](#)
[474618-01S](#) [75-474618-04P](#) [75-474618-04S](#) [799539-000](#) [MI8-SE](#) [805-005-07NF11-19PC](#) [805-005-07NF15-7PA](#) [8280-4PG-516](#) [8280-7PG-](#)
[519](#) [8282-5PG-519](#) [836783-1](#) [MP-4102-25P-C](#) [862256-1](#) [864019-2](#) [866857-1](#) [867865-1](#) [PT01SP-14-18P](#) [PT08P-14-5S](#) [PTSF06SE-14-12S](#)
[120-1833-000](#) [QCM019PC2DC012B](#) [1-2069279-1](#) [121583-0217](#) [121667-0020](#) [129591AU](#) [1000B BULK](#) [RD10A16-19-P6CS051/1](#)
[RD10A20-31-P8CS051/1](#) [RD16A14-12-S6CS051/2](#) [1301240290](#) [1301240347](#) [1301860202](#)