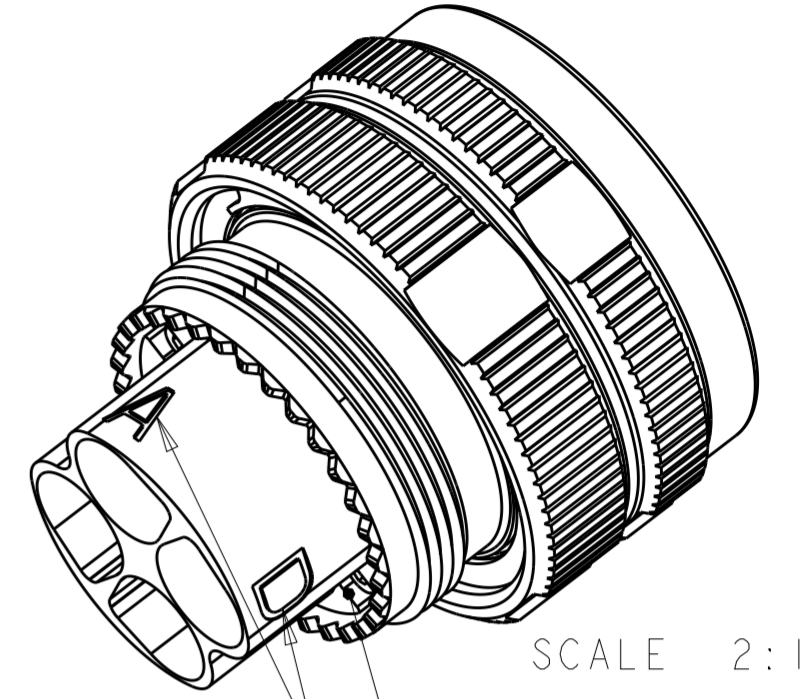
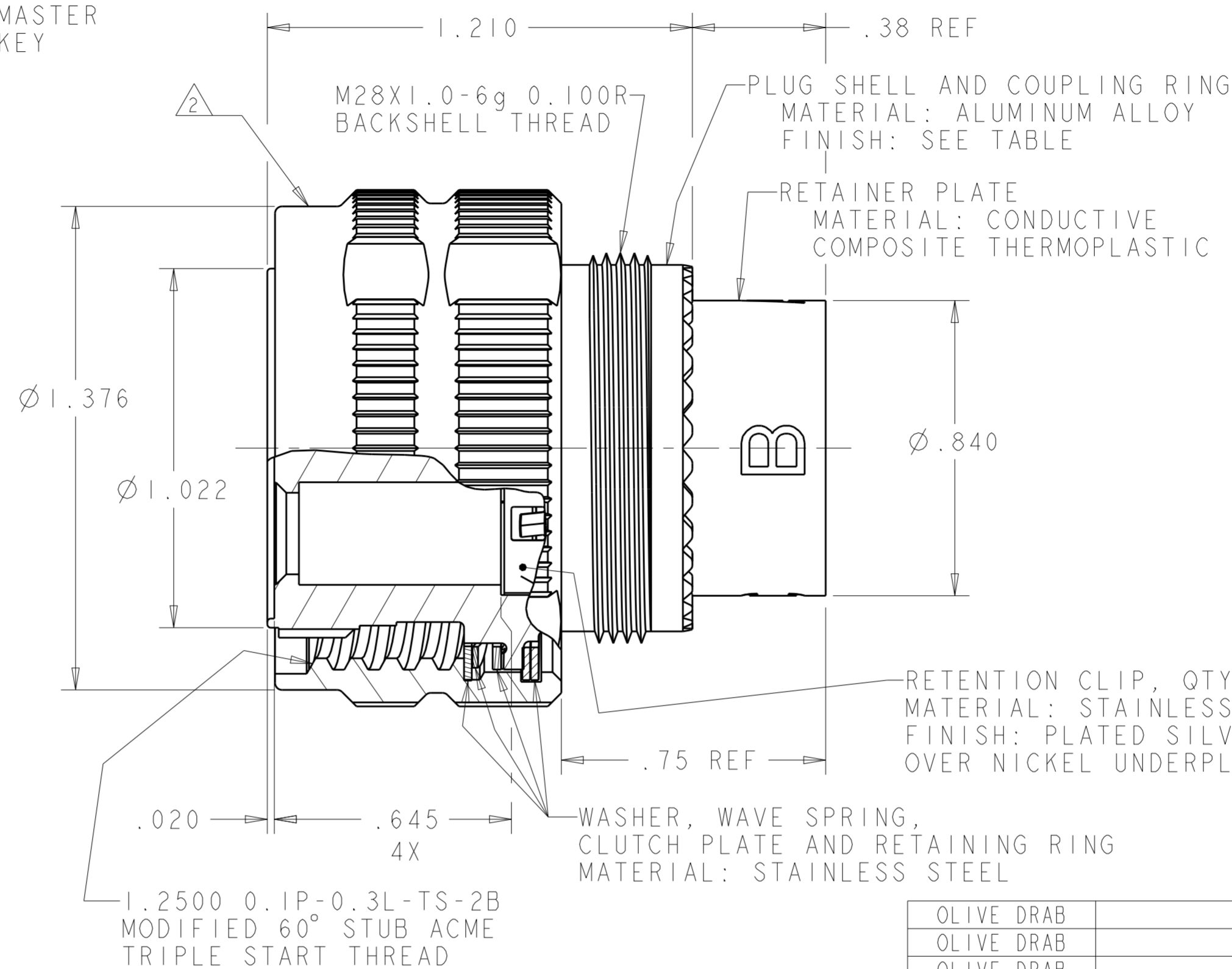
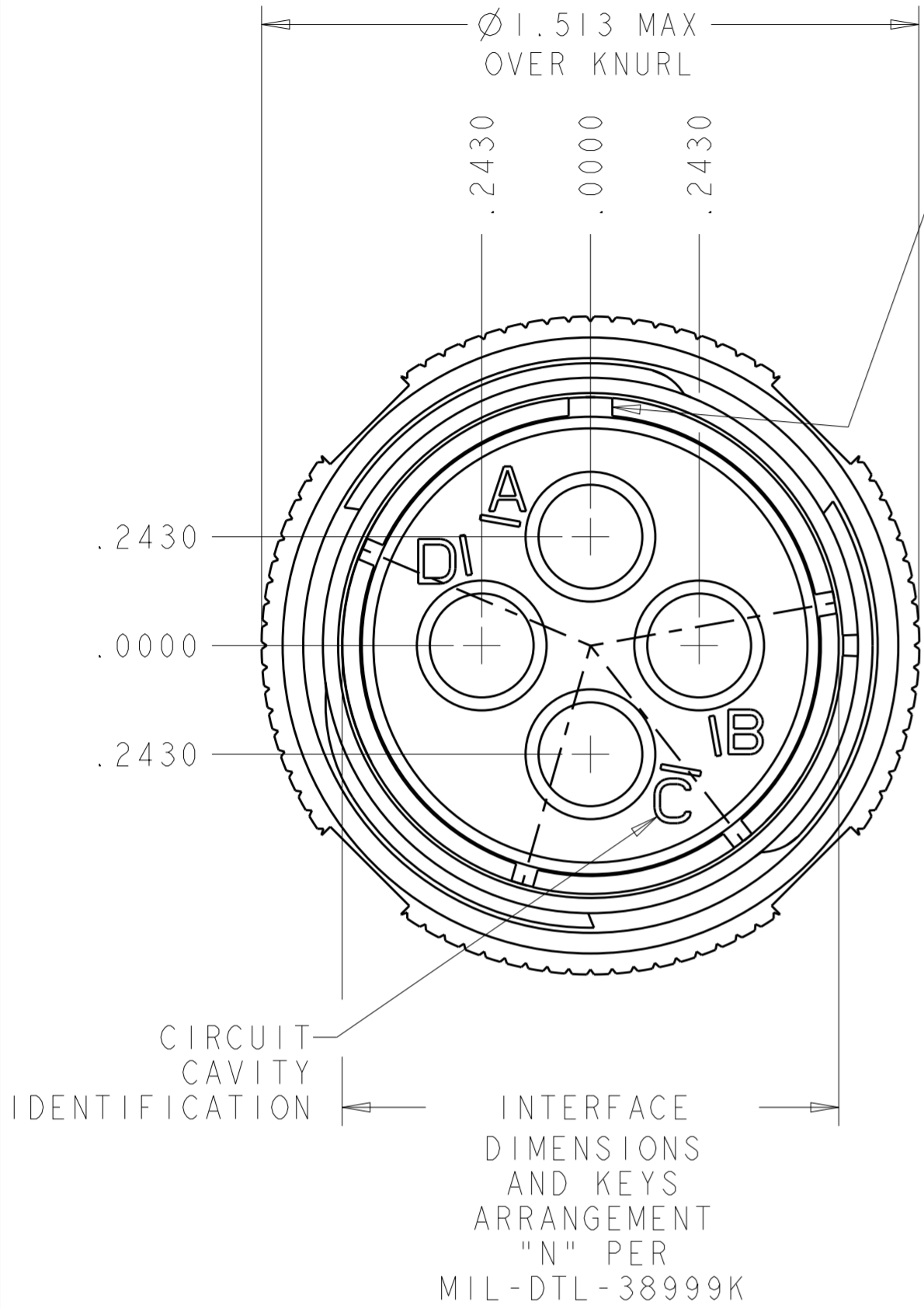


THIS DRAWING IS UNPUBLISHED. RELEASED FOR PUBLICATION 20
 © COPYRIGHT 20 BY - ALL RIGHTS RESERVED.

REVISIONS					
P	LTR	DESCRIPTION	DATE	DWN	APVD
	E1	REV PER ECO 14-002547	4-24-14	CT	DM



CIRCUIT ID'S MARKED ON OUTER CIRCUMFERENCE APPROX AS SHOWN
 RTV SEALANT (MIL-A-46146)

OLIVE DRAB	-	B	1-1811902-9
OLIVE DRAB	-	A	1-1811902-8
OLIVE DRAB	-	N	1-1811902-7
NICKEL	1877040-2	B	1-1811902-5
NICKEL	1877040-2	A	1-1811902-4
NICKEL	1877040-2	N	1-1811902-3
OLIVE DRAB	1445693-3	B	1-1811902-2
OLIVE DRAB	1445693-3	A	1-1811902-1
OLIVE DRAB	1445693-3	N	1-1811902-0
NICKEL	-	B	1811902-9
NICKEL	-	A	1811902-8
NICKEL	-	N	1811902-7
NICKEL	1445693-3	B	1811902-3
NICKEL	1445693-3	A	1811902-2
NICKEL	1445693-3	N	1811902-1
SHELL FINISH	QUADRAX CONTACT QTY=4	SHELL KEYING ARRANGEMENT	PART NUMBER

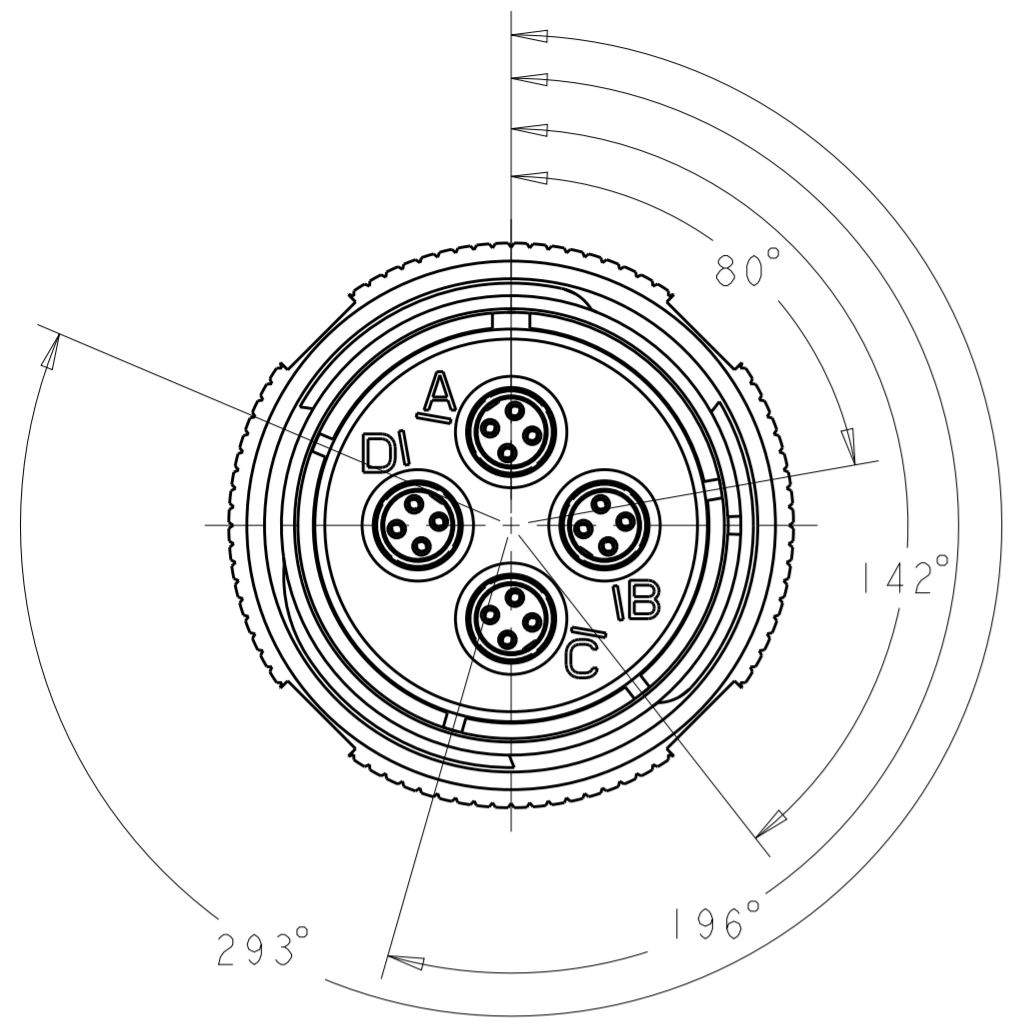
- THIS CONNECTOR ACCEPTS TYCO ELECTRONICS QUADRAX SOCKET ASSEMBLY; PART NUMBER 1445693-3 OR 1877040-2.
- PART IS MARKED WITH TE PART NO. (SEE TABLE), TE LOGO OR TE, TYCO ELECTRONICS CAGE CODE, AND DATE CODE.
- OPERATING TEMPERATURE RANGE: -65°C TO +125°C (-85°F TO +257°F).
- THE CONNECTOR QUALIFICATION WAS COMPLETED PER TYCO ELECTRONICS 108-2199. THE QUADRAX CONTACTS ARE QUALIFIED PER TYCO ELECTRONICS 108-2131. THE REFERENCE TEST REPORTS ARE TYCO ELECTRONICS 501-660 FOR THE CONNECTOR AND 501-574 FOR THE CONTACTS WHICH ARE SAME AS ARINC 600-13, DRAFT 2 OF SUPPLEMENT 14 (AIR TRANSPORT AVIONICS EQUIPMENT INTERFACES).

THIS DRAWING IS A CONTROLLED DOCUMENT.

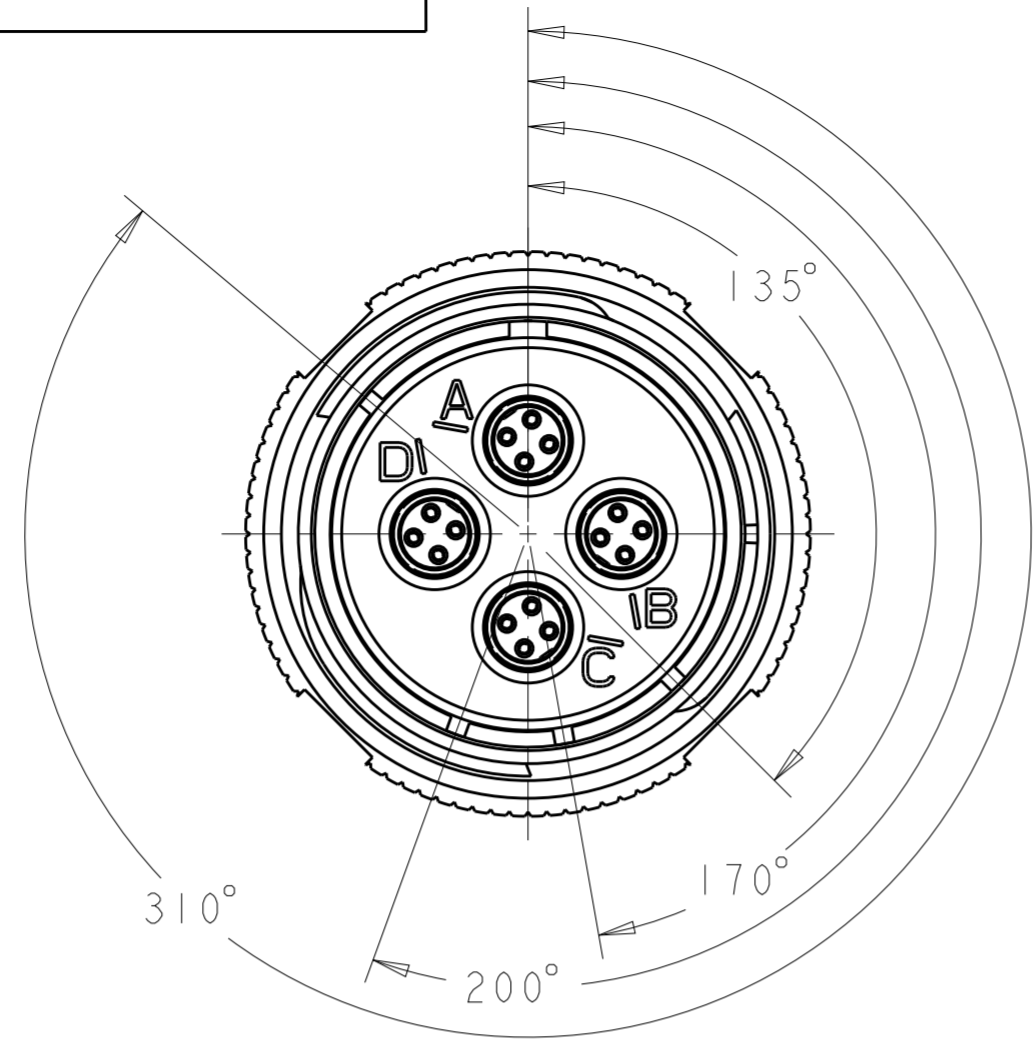
DIMENSIONS: INCHES	TOLERANCES UNLESS OTHERWISE SPECIFIED:	DWN R FLAIG 02AUG2005	TE Connectivity
	0 PLC ±.1 1 PLC ±.01 2 PLC ±.005 3 PLC ±.0020 4 PLC ANGLES ±1° FINISH	CHK L OH 02AUG2005	
		APVD L OH 02AUG2005	
MATERIAL		PRODUCT SPEC	NAME ASSY, PLUG, SIZE 19, 404, M38999 STYLE
		APPLICATION SPEC	SIZE A2
		WEIGHT	CAGE CODE -
		CUSTOMER DRAWING	DRAWING NO. C-1811902
			RESTRICTED TO -
			SCALE 3:1 SHEET 1 OF 2 REV E1

THIS DRAWING IS UNPUBLISHED. RELEASED FOR PUBLICATION 20
 © COPYRIGHT 20 BY - ALL RIGHTS RESERVED.

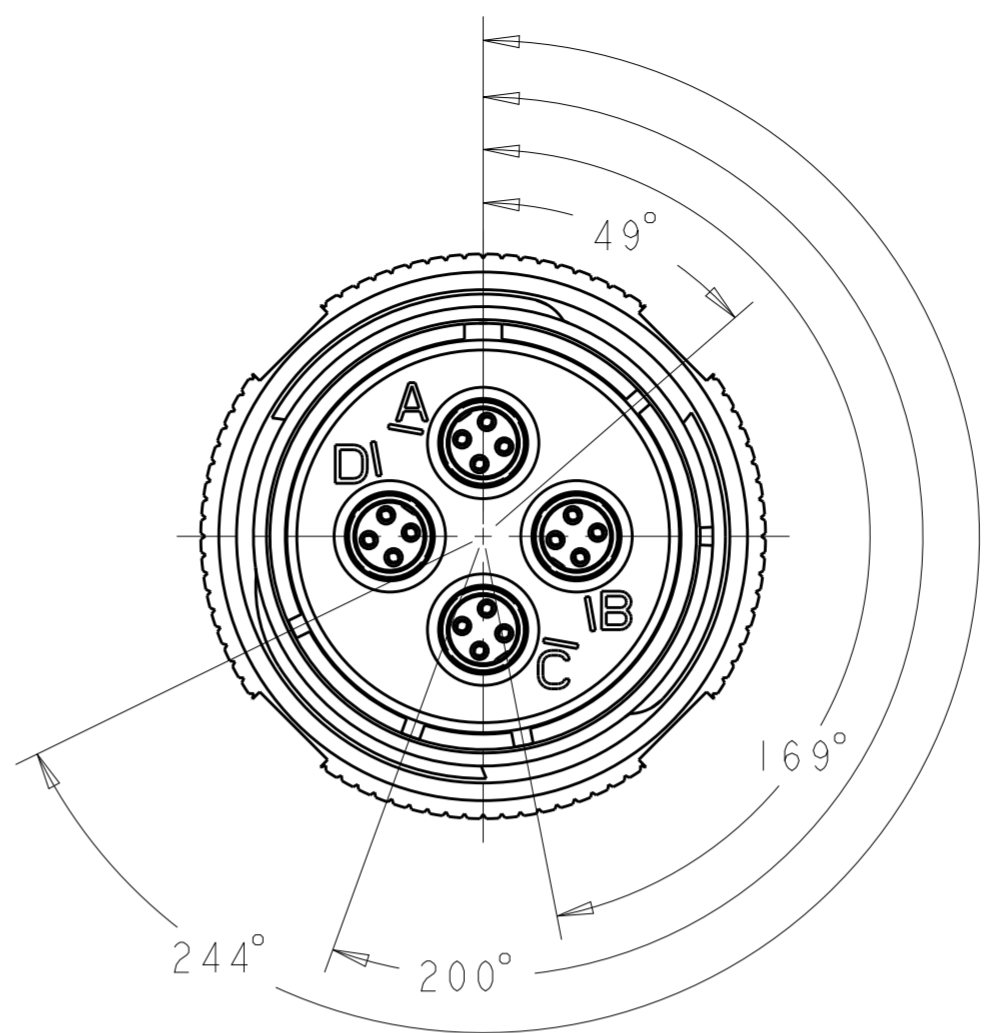
REVISIONS					
P	LTR	DESCRIPTION	DATE	DWN	APVD
-	-	SEE SHEET 1	-	-	-



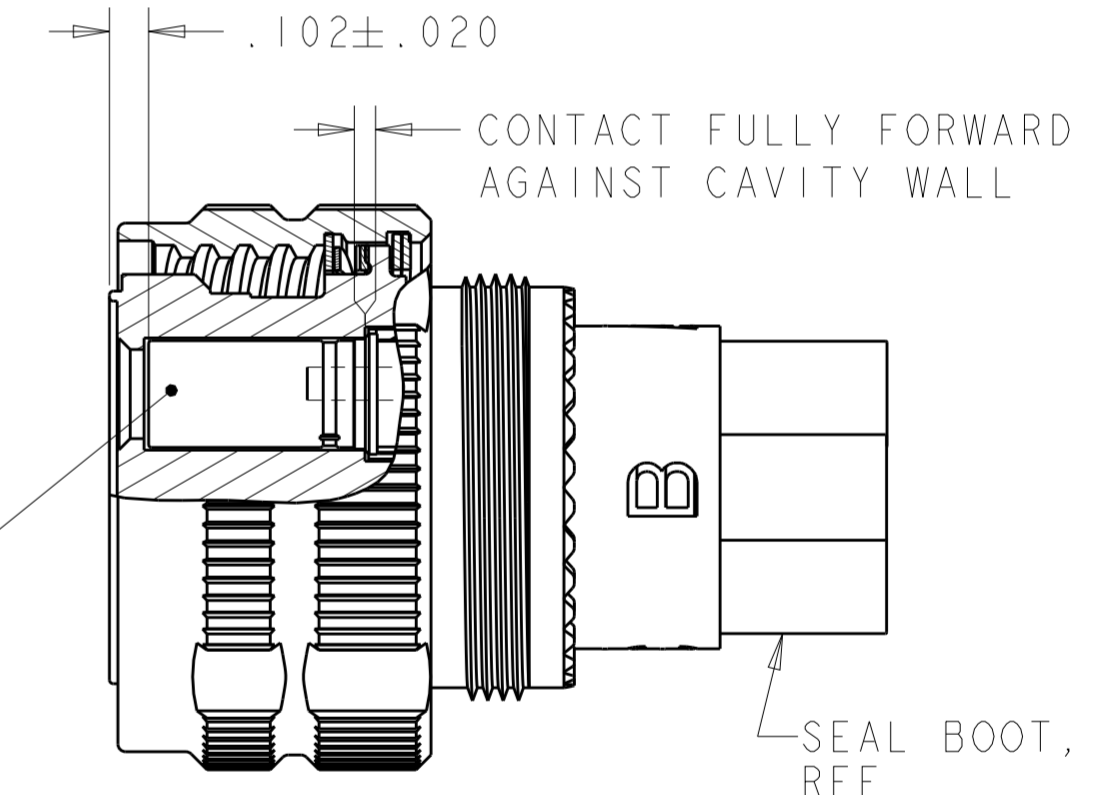
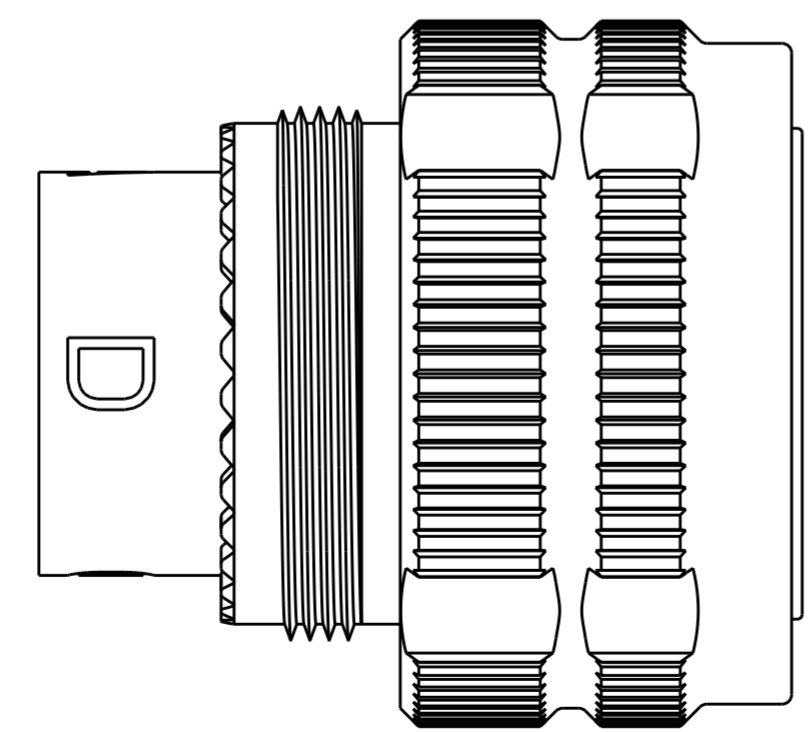
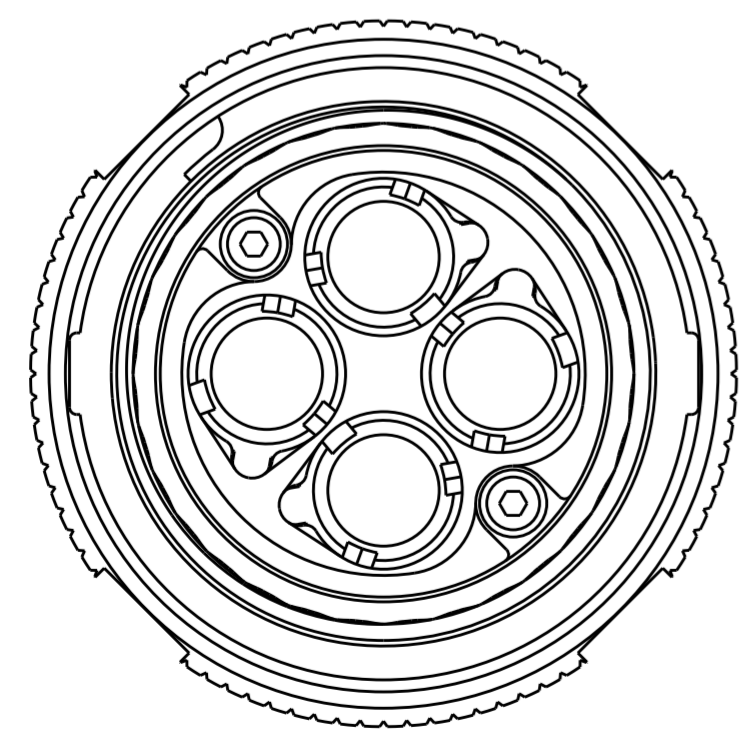
1811902-1
"N" KEY POLARIZATION



1811902-2
"A" KEY POLARIZATION



1811902-3
"B" KEY POLARIZATION



QUADRAX SOCKET ASSY,
 SHOWN FOR REF ONLY
 -1, -2, -3, -10, -11,
 -12, -13, -14, & -15 CONTACT PROVIDED UN-ASSEMBLED
 -7, -8, & -9 CONTACT SOLD SEPARATELY

SECTION Y-Y
 SCALE 2:1

THIS DRAWING IS A CONTROLLED DOCUMENT.		DWN R FLAIG 02AUG2005	TE Connectivity		
DIMENSIONS: INCHES		CHK L OH 02AUG2005			
TOLERANCES UNLESS OTHERWISE SPECIFIED:		APVD L OH 02AUG2005	NAME ASSY, PLUG, SIZE 19, 404, M38999 STYLE		
0 PLC ±. 1 PLC ±.1 2 PLC ±.01 3 PLC ±.005 4 PLC ±.0020 ANGLES ±1° FINISH		PRODUCT SPEC -	SIZE A2	CAGE CODE -	DRAWING NO G-1811902
MATERIAL -		APPLICATION SPEC -	WEIGHT -	RESTRICTED TO -	SCALE 3:1 SHEET 2 OF 2 REV E1
-		CUSTOMER DRAWING			

X-ON Electronics

Largest Supplier of Electrical and Electronic Components

Click to view similar products for [Standard Circular Connector](#) category:

Click to view products by [TE Connectivity](#) manufacturer:

Other Similar products are found below :

[5M2530B10P](#) [600259N006](#) [600273N007](#) [6134-336-13149](#) [6134-337-11149](#) [6134-337-2390](#) [6134-341-17149](#) [6280-4SG-516](#) [6280-7SG-3DC](#)
[6290](#) [6291A](#) [66200A-10](#) [680-SMG](#) [681-PMG](#) [CXS3102A14S2P](#) [CXS3102A181S](#) [7271-6SG-300](#) [7282-3PG-300-CH3](#) [75-474014-05S](#) [75-](#)
[474618-01S](#) [75-474618-04P](#) [75-474618-04S](#) [799539-000](#) [MI8-SE](#) [805-005-07NF11-19PC](#) [805-005-07NF15-7PA](#) [8280-4PG-516](#) [8280-7PG-](#)
[519](#) [8282-5PG-519](#) [836783-1](#) [MP-4102-25P-C](#) [862256-1](#) [864019-2](#) [866857-1](#) [867865-1](#) [PT01SP-14-18P](#) [PT08P-14-5S](#) [120-1833-000](#)
[QCM019PC2DC012B](#) [1-2069279-1](#) [121583-0217](#) [121667-0020](#) [129591AU](#) [1000B BULK](#) [RD10A16-19-P6CS051/1](#) [RD10A20-31-](#)
[P8CS051/1](#) [RD16A14-12-S6CS051/2](#) [1301240290](#) [1301240347](#) [1301860202](#) [1301240268](#)