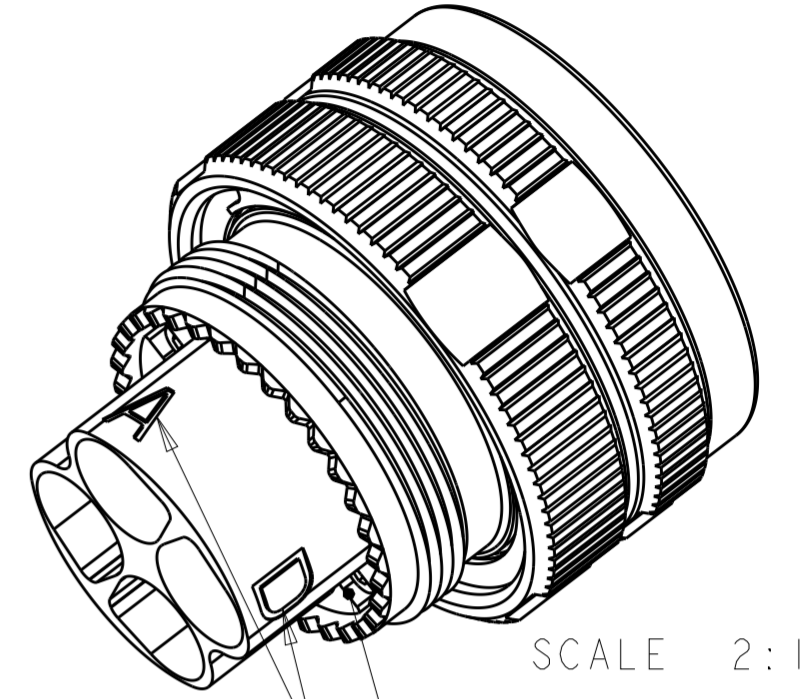
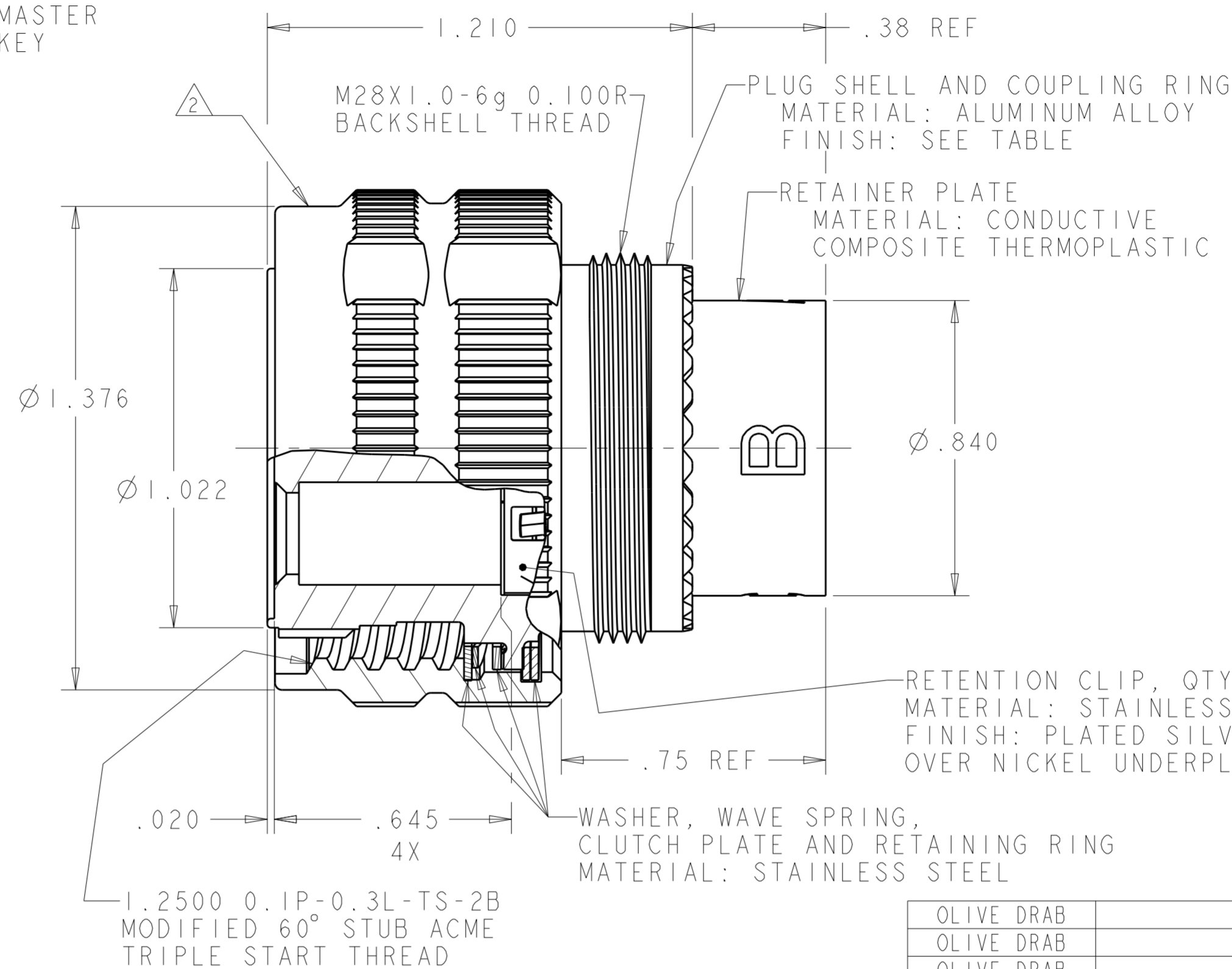
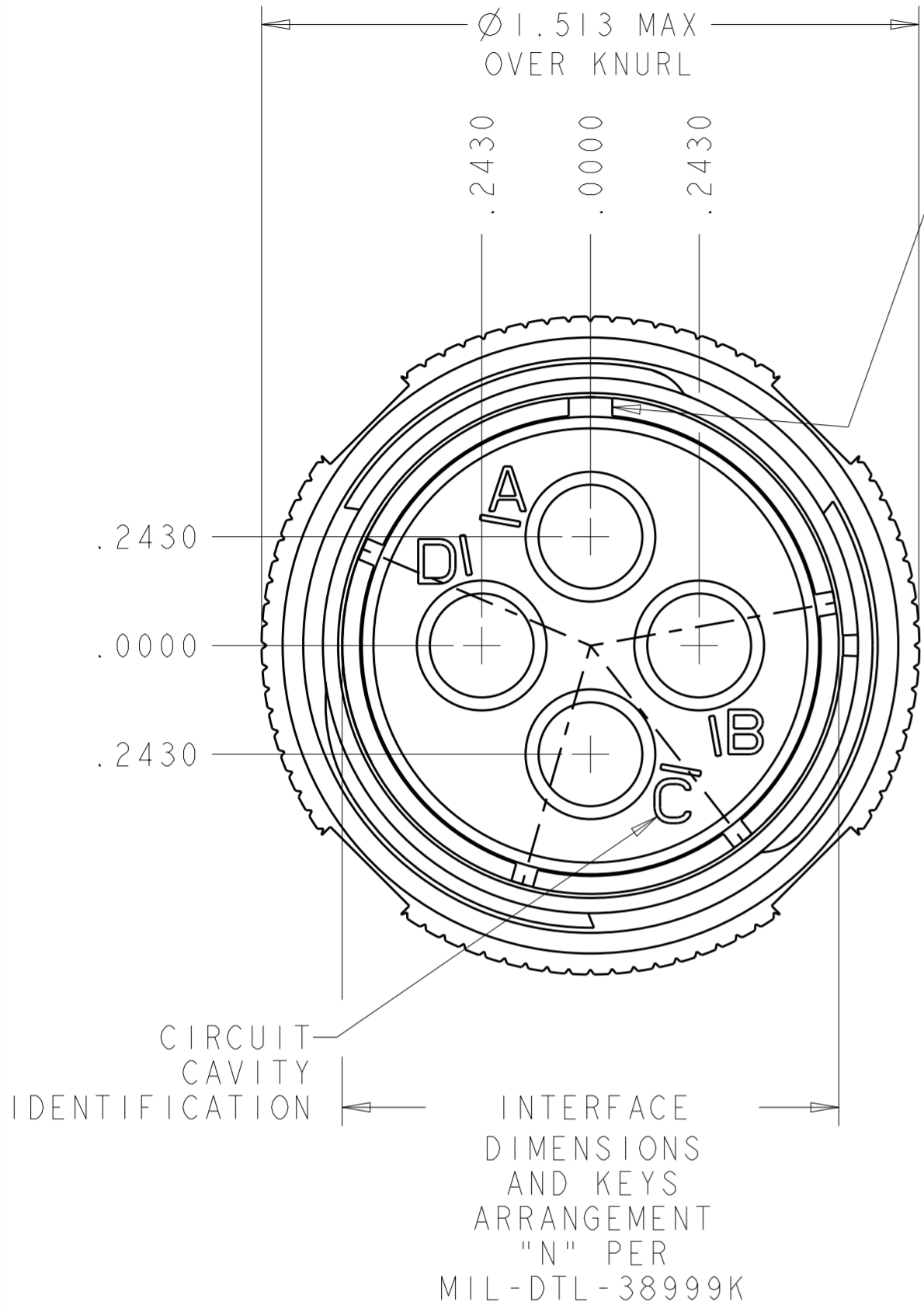


THIS DRAWING IS UNPUBLISHED. RELEASED FOR PUBLICATION 20  
 © COPYRIGHT 20 BY - ALL RIGHTS RESERVED.

REVISIONS				
P	LTR	DESCRIPTION	DATE	APVD
E1		REV PER ECO 14-002547	4-24-14	CT DM



CIRCUIT ID'S MARKED ON OUTER CIRCUMFERENCE APPROX AS SHOWN  
 RTV SEALANT (MIL-A-46146)

OLIVE DRAB	-	B	1-1811902-9
OLIVE DRAB	-	A	1-1811902-8
OLIVE DRAB	-	N	1-1811902-7
NICKEL	1877040-2	B	1-1811902-5
NICKEL	1877040-2	A	1-1811902-4
NICKEL	1877040-2	N	1-1811902-3
OLIVE DRAB	1445693-3	B	1-1811902-2
OLIVE DRAB	1445693-3	A	1-1811902-1
OLIVE DRAB	1445693-3	N	1-1811902-0
NICKEL	-	B	1811902-9
NICKEL	-	A	1811902-8
NICKEL	-	N	1811902-7
NICKEL	1445693-3	B	1811902-3
NICKEL	1445693-3	A	1811902-2
NICKEL	1445693-3	N	1811902-1
SHELL FINISH	QUADRAX CONTACT QTY=4	SHELL KEYING ARRANGEMENT	PART NUMBER

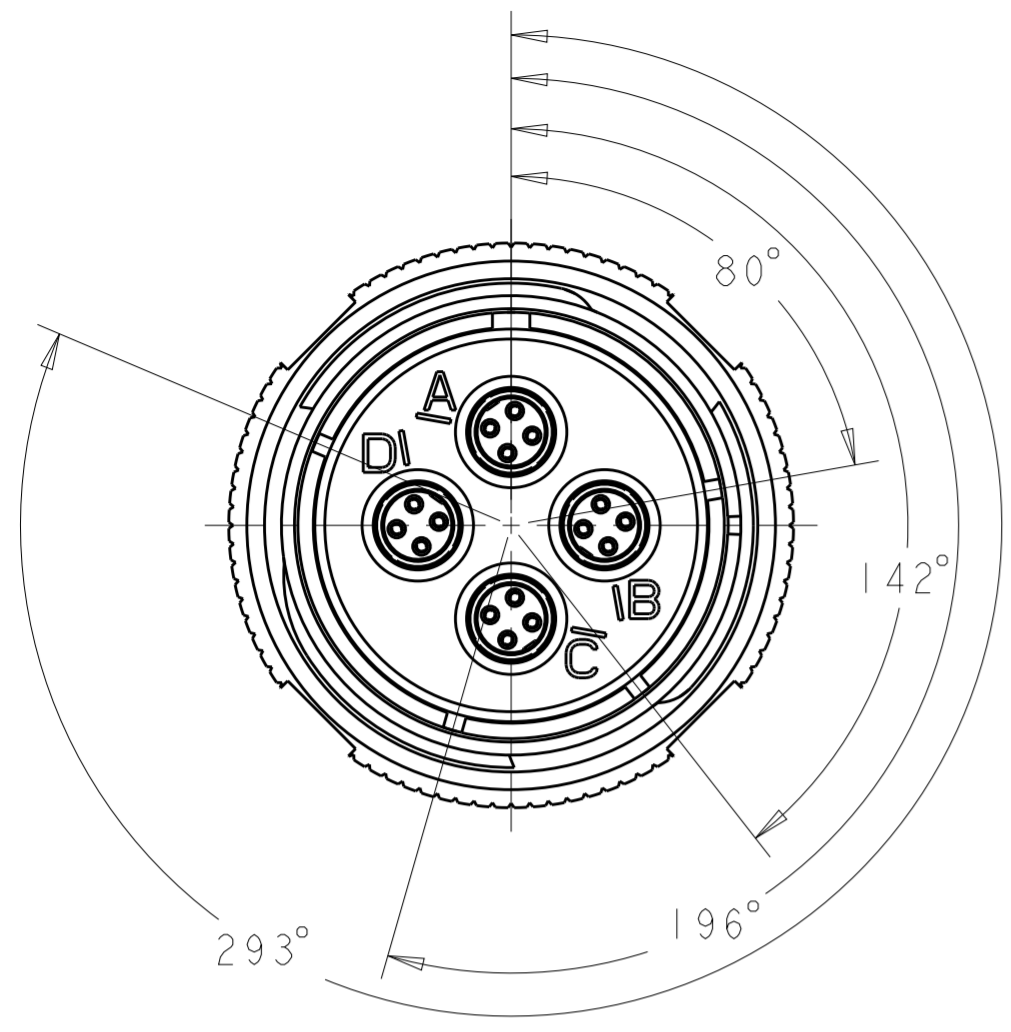
- THIS CONNECTOR ACCEPTS TYCO ELECTRONICS QUADRAX SOCKET ASSEMBLY; PART NUMBER 1445693-3 OR 1877040-2.
- PART IS MARKED WITH TE PART NO. (SEE TABLE), TE LOGO OR TE, TYCO ELECTRONICS CAGE CODE, AND DATE CODE.
- OPERATING TEMPERATURE RANGE: -65°C TO +125°C (-85°F TO +257°F).
- THE CONNECTOR QUALIFICATION WAS COMPLETED PER TYCO ELECTRONICS 108-2199. THE QUADRAX CONTACTS ARE QUALIFIED PER TYCO ELECTRONICS 108-2131. THE REFERENCE TEST REPORTS ARE TYCO ELECTRONICS 501-660 FOR THE CONNECTOR AND 501-574 FOR THE CONTACTS WHICH ARE SAME AS ARINC 600-13, DRAFT 2 OF SUPPLEMENT 14 (AIR TRANSPORT AVIONICS EQUIPMENT INTERFACES).

THIS DRAWING IS A CONTROLLED DOCUMENT.

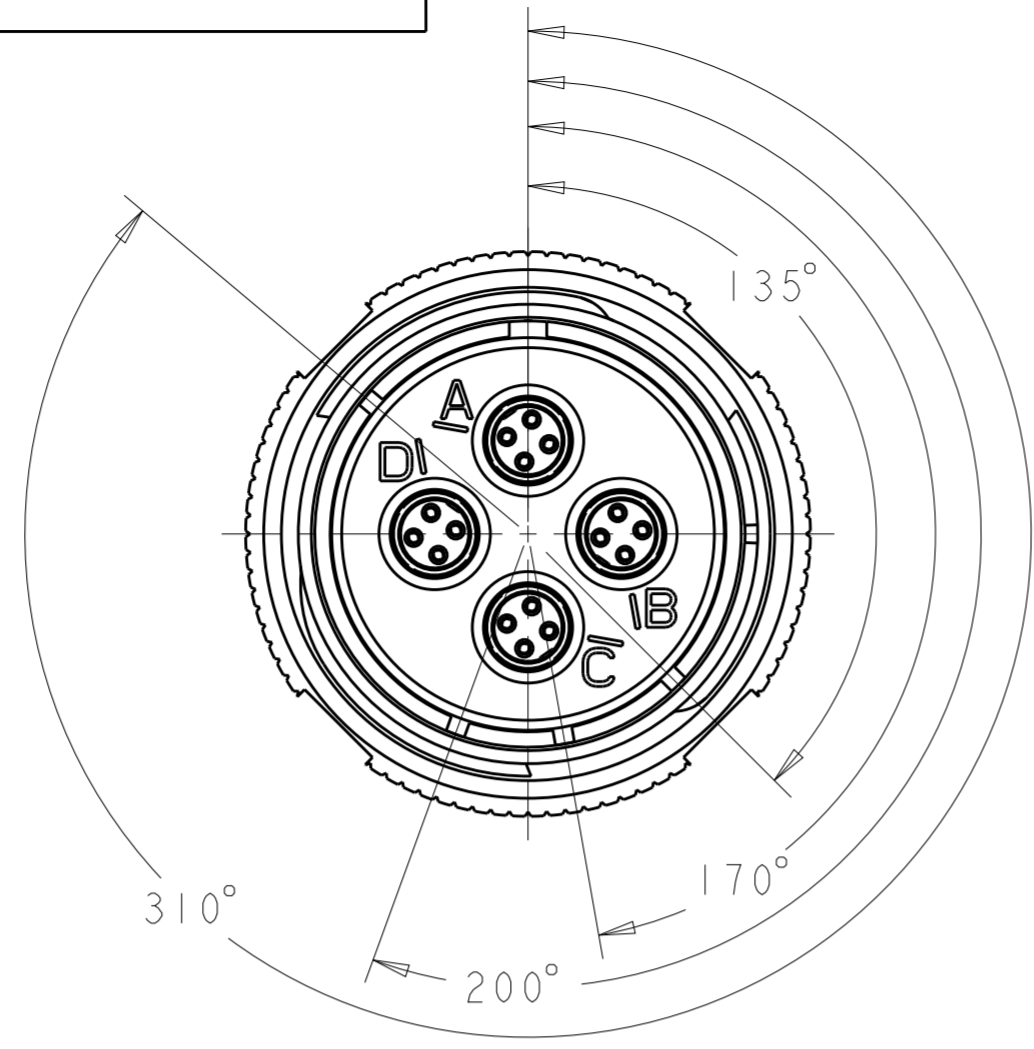
DIMENSIONS: INCHES	TOLERANCES UNLESS OTHERWISE SPECIFIED:	DWN R FLAIG 02AUG2005	TE Connectivity
	0 PLC ±.1	CHK L OH 02AUG2005	
	1 PLC ±.01	APVD L OH 02AUG2005	
MATERIAL	2 PLC ±.005	PRODUCT SPEC	NAME ASSY, PLUG, SIZE 19, 404, M38999 STYLE
	3 PLC ±.0020	APPLICATION SPEC	SIZE A2
	4 PLC ±.0020	WEIGHT	CAGE CODE -
	ANGLES ±1°	CUSTOMER DRAWING	DRAWING NO G-1811902
	FINISH	SCALE 3:1	SHEET 1 OF 2
		REV E1	

THIS DRAWING IS UNPUBLISHED. RELEASED FOR PUBLICATION 20  
 © COPYRIGHT 20 BY - ALL RIGHTS RESERVED.

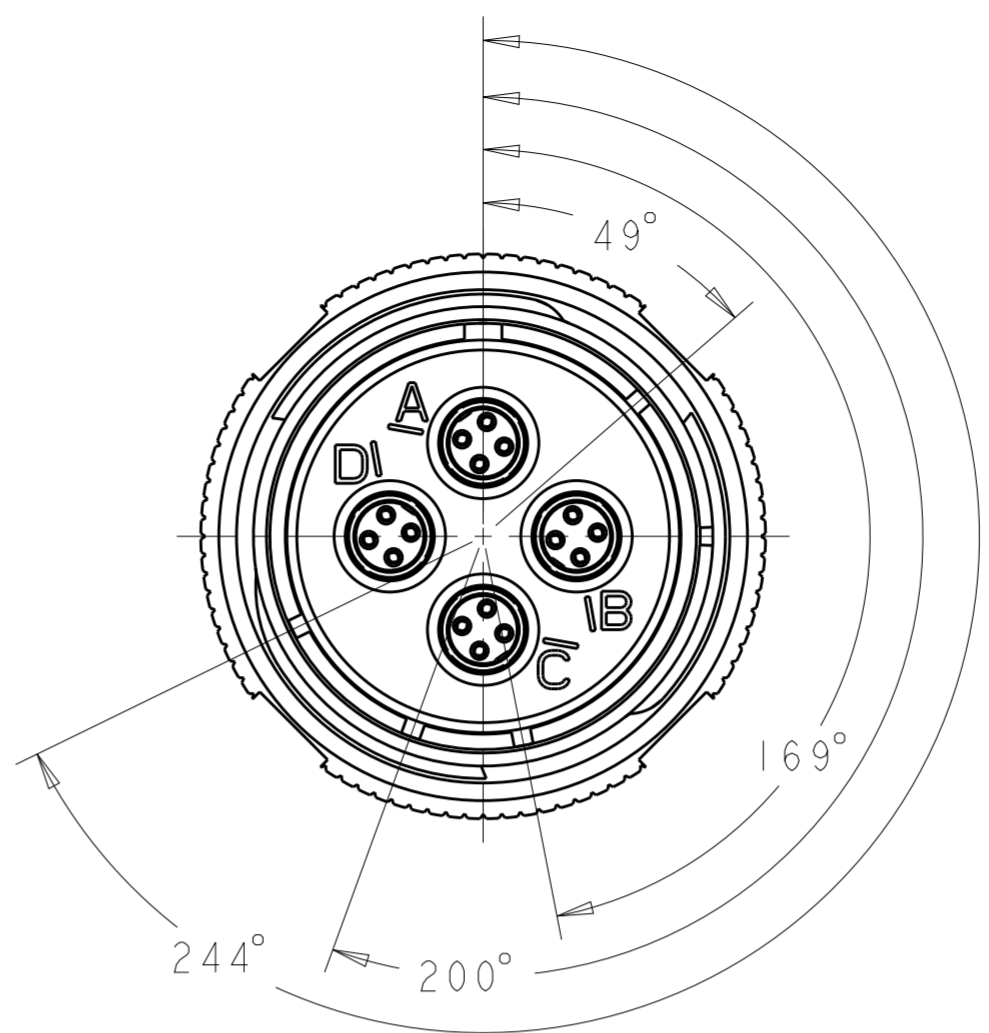
REVISIONS				
P	LTR	DESCRIPTION	DATE	APVD
-		SEE SHEET 1	-	-



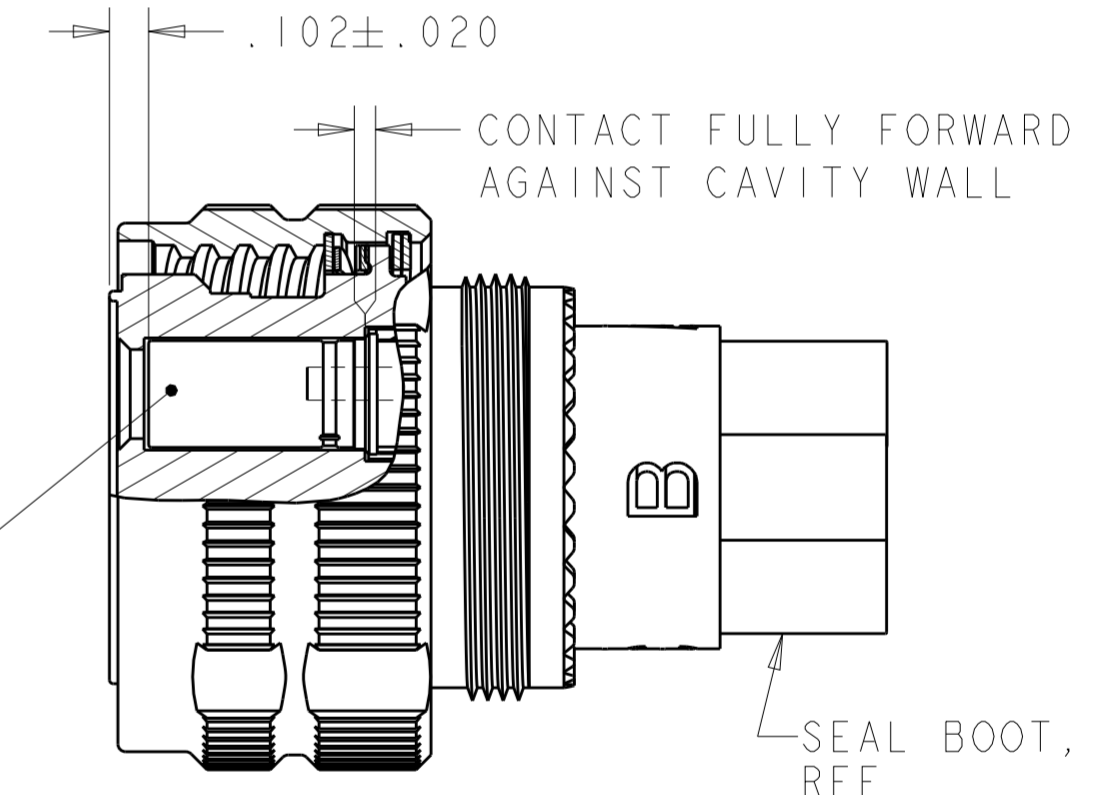
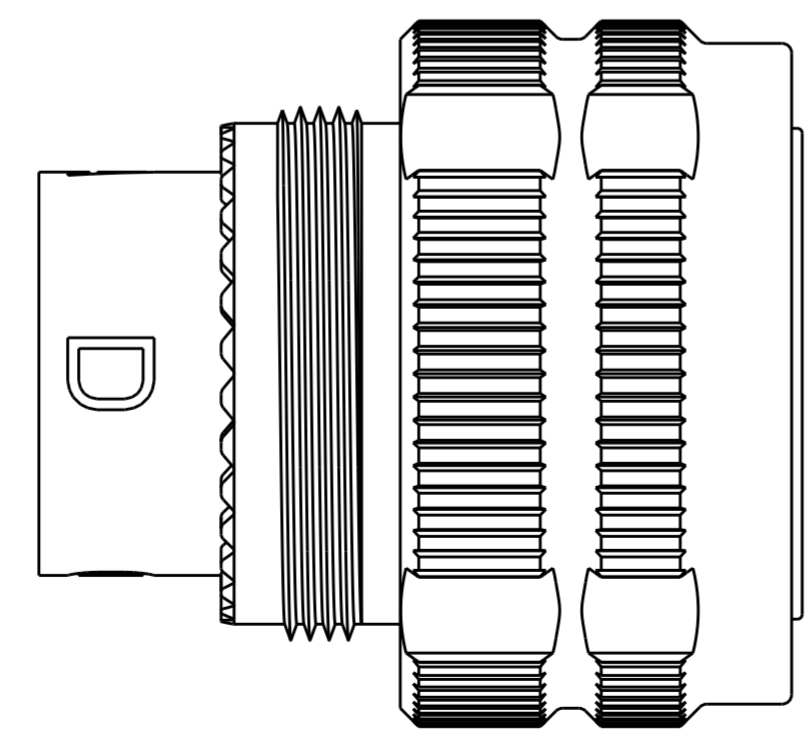
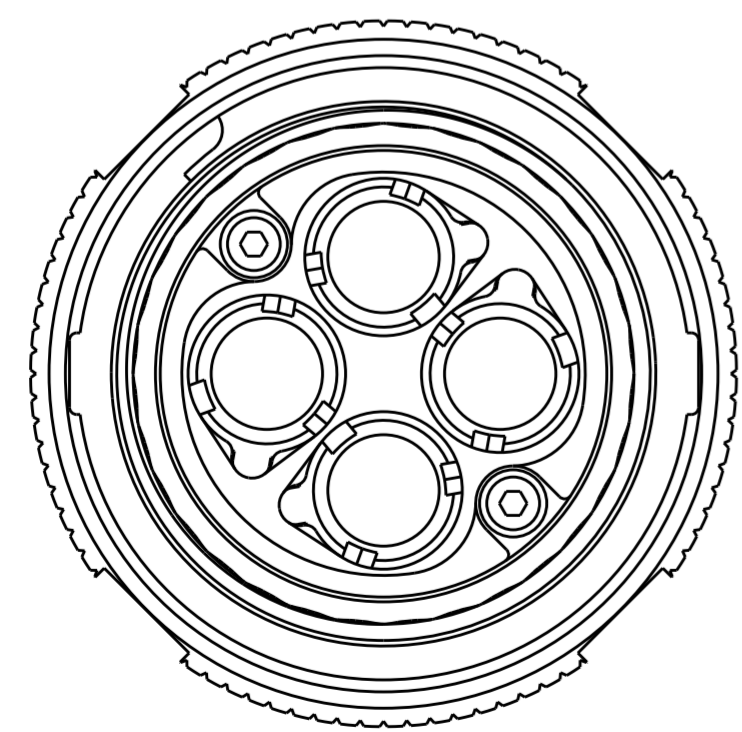
1811902-1  
"N" KEY POLARIZATION



1811902-2  
"A" KEY POLARIZATION



1811902-3  
"B" KEY POLARIZATION



QUADRAX SOCKET ASSY,  
 SHOWN FOR REF ONLY  
 -1, -2, -3, -10, -11,  
 -12, -13, -14, & -15 CONTACT PROVIDED UN-ASSEMBLED  
 -7, -8, & -9 CONTACT SOLD SEPARATELY

SECTION Y-Y  
 SCALE 2:1

THIS DRAWING IS A CONTROLLED DOCUMENT.		DWN R FLAIG	02AUG2005	<b>STE</b> TE Connectivity																					
DIMENSIONS: INCHES		CHK L OH	02AUG2005																						
TOLERANCES UNLESS OTHERWISE SPECIFIED:		APVD L OH	02AUG2005																						
<table border="0"> <tr> <td>0 PLC</td> <td>±</td> <td></td> </tr> <tr> <td>1 PLC</td> <td>±.1</td> <td></td> </tr> <tr> <td>2 PLC</td> <td>±.01</td> <td></td> </tr> <tr> <td>3 PLC</td> <td>±.005</td> <td></td> </tr> <tr> <td>4 PLC</td> <td>±.0020</td> <td></td> </tr> <tr> <td>ANGLES</td> <td>±1°</td> <td></td> </tr> <tr> <td>FINISH</td> <td></td> <td></td> </tr> </table>		0 PLC	±		1 PLC	±.1		2 PLC	±.01		3 PLC	±.005		4 PLC	±.0020		ANGLES	±1°		FINISH			PRODUCT SPEC	NAME	ASSY, PLUG, SIZE 19, 404, M38999 STYLE
0 PLC	±																								
1 PLC	±.1																								
2 PLC	±.01																								
3 PLC	±.005																								
4 PLC	±.0020																								
ANGLES	±1°																								
FINISH																									
MATERIAL	-	APPLICATION SPEC	-	SIZE	A2																				
		WEIGHT	-	CAGE CODE	-																				
		CUSTOMER DRAWING	-	DRAWING NO	G-1811902																				
				RESTRICTED TO	-																				
				SCALE	3:1																				
				SHEET	2 OF 2																				
				REV	E1																				

## X-ON Electronics

Largest Supplier of Electrical and Electronic Components

*Click to view similar products for [Standard Circular Connector](#) category:*

*Click to view products by [TE Connectivity](#) manufacturer:*

Other Similar products are found below :

[5M2530B10P](#) [600259N006](#) [600273N007](#) [6134-336-13149](#) [6134-337-11149](#) [6134-337-2390](#) [6134-341-17149](#) [6280-4SG-516](#) [6280-7SG-3DC](#)  
[6290](#) [6291A](#) [66200A-10](#) [680-SMG](#) [681-PMG](#) [CXS3102A14S2P](#) [CXS3102A181S](#) [7271-6SG-300](#) [7282-3PG-300-CH3](#) [75-474014-05S](#) [75-](#)  
[474618-01S](#) [75-474618-04P](#) [75-474618-04S](#) [799539-000](#) [MI8-SE](#) [805-005-07NF11-19PC](#) [805-005-07NF15-7PA](#) [8280-4PG-516](#) [8280-7PG-](#)  
[519](#) [8282-5PG-519](#) [836783-1](#) [MP-4102-25P-C](#) [862256-1](#) [864019-2](#) [866857-1](#) [867865-1](#) [PT01SP-14-18P](#) [PT08P-14-5S](#) [120-1833-000](#)  
[QCM019PC2DC012B](#) [1-2069279-1](#) [121583-0217](#) [121667-0020](#) [129591AU](#) [1000B BULK](#) [RD10A16-19-P6CS051/1](#) [RD10A20-31-](#)  
[P8CS051/1](#) [RD16A14-12-S6CS051/2](#) [1301240290](#) [1301240347](#) [1301860202](#) [1301240268](#)