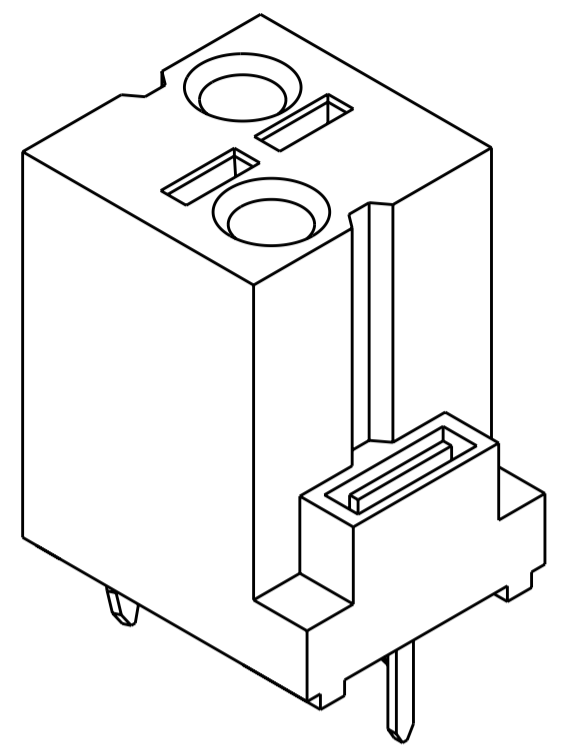
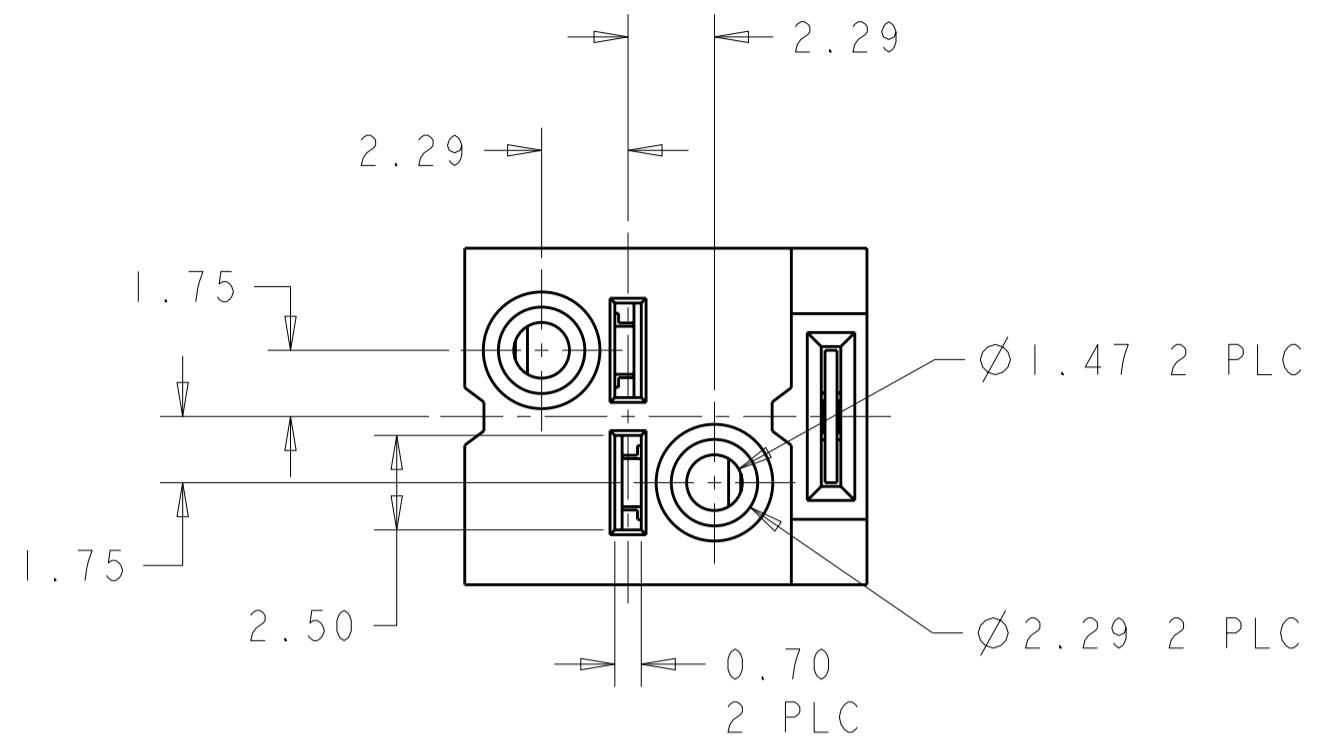
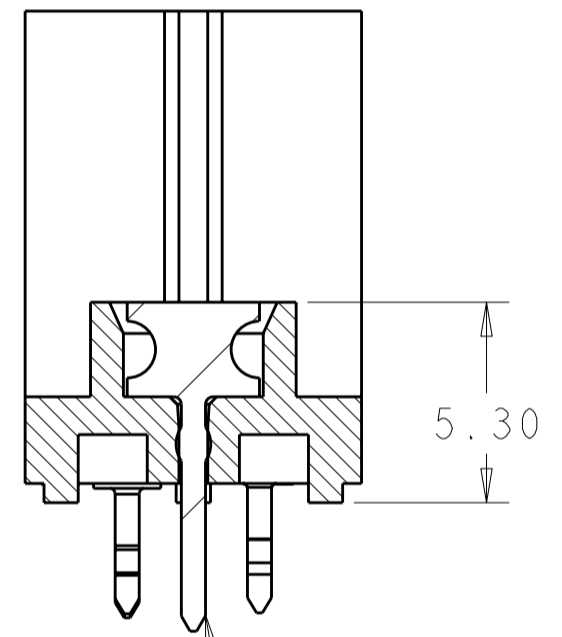
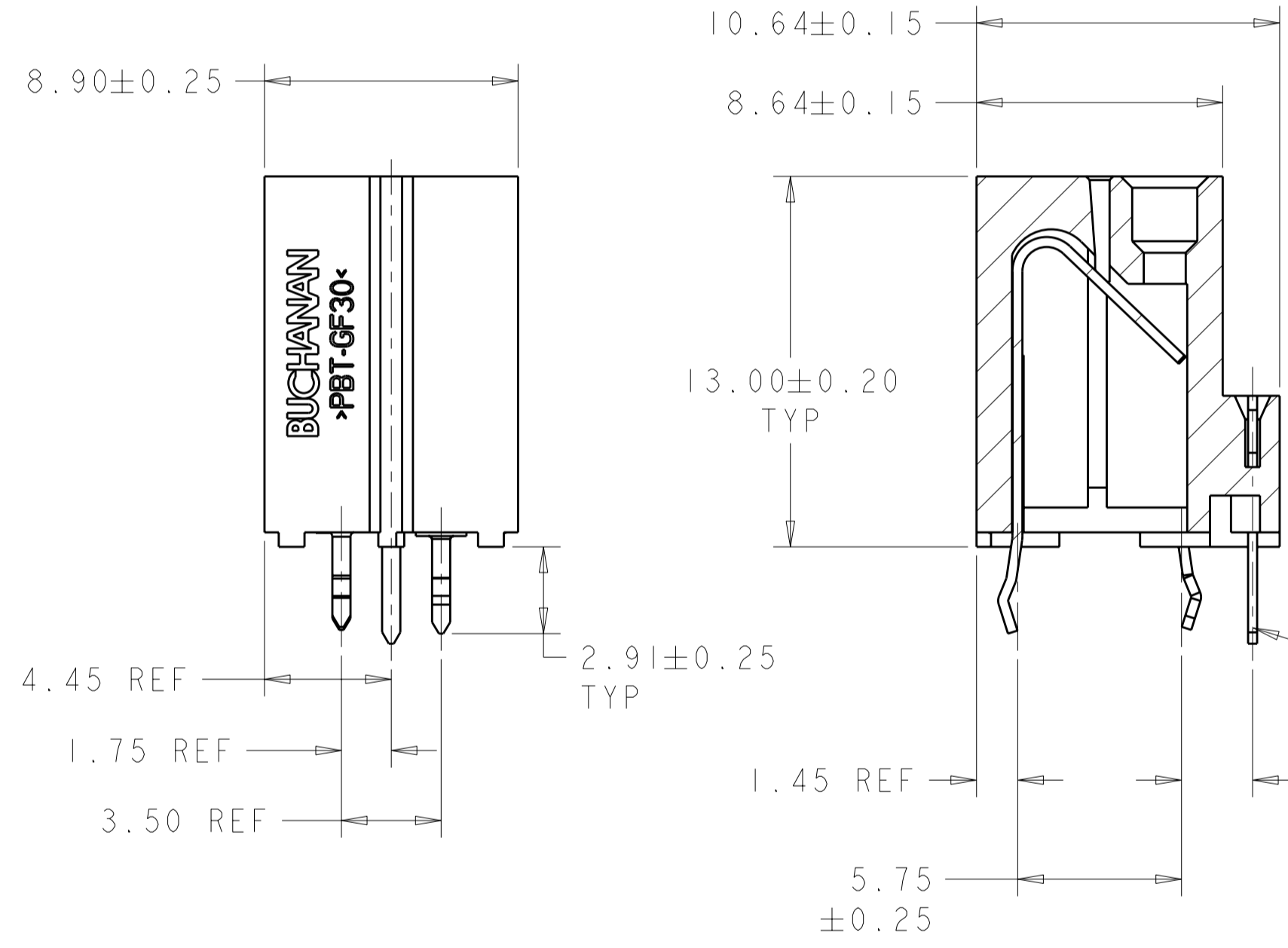


THIS DRAWING IS UNPUBLISHED. RELEASED FOR PUBLICATION 20  
 © COPYRIGHT 20 BY - ALL RIGHTS RESERVED.

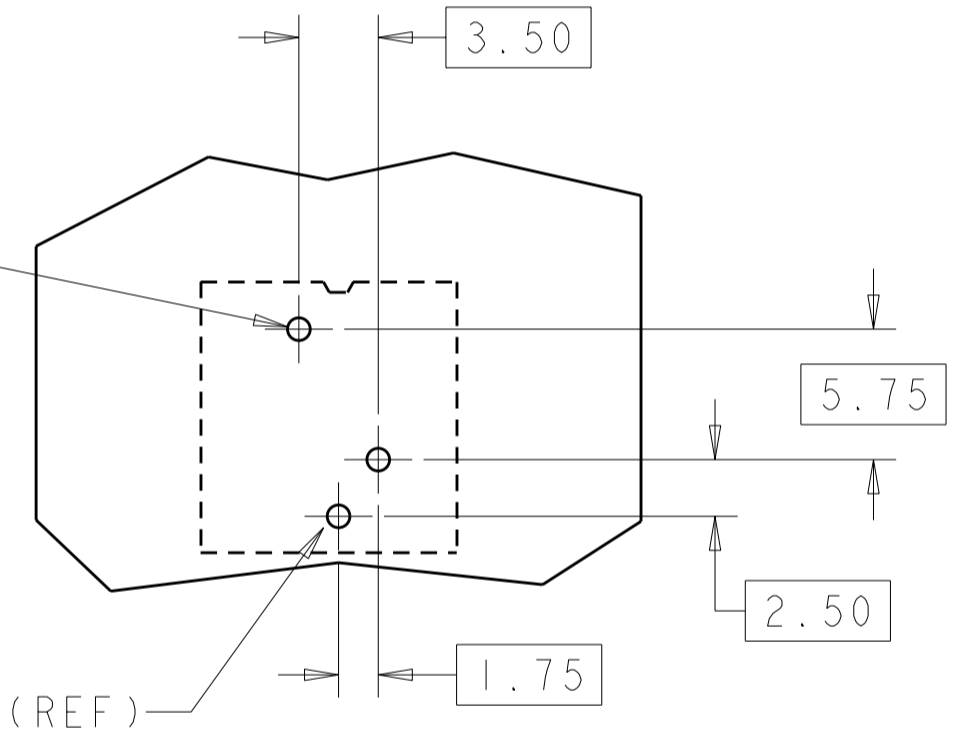
LOC	DIST	REVISIONS					
FT	0	P	LTR	DESCRIPTION	DATE	DWN	APVD
		A4		REVISED PER ECR-10-013378	01JUL2010	HMR	DD
		A5		REVISED PER ECR-12-008903	16MAY2012	RS	DD



SCALE 5:1



Ø1.00±0.08  
 Ø0.15(M)  
 THRU HOLE TYP



BOARDLOCK (REF)

SCALE 3:1

PCB LAYOUT VIEWED FROM CONNECTOR MOUNTING SIDE

- 1 MATERIAL:  
 HOUSING: PTB, UL94-V0, COLOR BLACK.  
 CONTACTS: PHOSPHOR BRONZE.  
 BOARDLOCK: PHOSPHOR BRONZE.
- 2 PLATING:  
 CONTACTS & BOARDLOCKS: PRE TIN, 2.5µm MIN OVER 0.76µm MIN NICKEL  
 (CONTACT AND BOARDLOCK EDGES WILL BE UNPLATED)
- 3. WIRE SIZE: 16 TO 18AWG SOLID AND 18AWG BONDED PER ASTM B470, TYPE I.  
 2.19mm MAX INSULATION DIAMETER.  
 STRIP LENGTH = 9.53±1.00.

TAPE AND REEL	1811957-3
TUBE	1811957-2
TRAY	1811957-1
PACKAGING	PART NO

THIS DRAWING IS A CONTROLLED DOCUMENT.		DWN W.G.LENKER 21APR2005	TE Connectivity	
DIMENSIONS: mm		CHK J.LANDIS 21APR2005		
TOLERANCES UNLESS OTHERWISE SPECIFIED:		APVD C.RICHARD 13SEP2005		
0 PLC ±- 1 PLC ±0.5 2 PLC ±0.13 3 PLC ±- 4 PLC ±- ANGLES ±- FINISH ±-		PRODUCT SPEC 108-2059 APPLICATION SPEC 114-13075 WEIGHT -		
MATERIAL	1 -	2 -	NAME ASSEMBLY, WIRE CONNECTOR, 2 POSITION WITH BOARDLOCK, SCREWLESS, VERTICAL SIZE A2 CAGE CODE 00779 DRAWING NO C-1811957 RESTRICTED TO - CUSTOMER DRAWING SCALE 5:1 SHEET 1 OF 1 REV A5	

## X-ON Electronics

Largest Supplier of Electrical and Electronic Components

*Click to view similar products for [Lighting Connectors](#) category:*

*Click to view products by [TE Connectivity](#) manufacturer:*

Other Similar products are found below :

[293300-7](#) [293660-5](#) [CNX\\_H03\\_NTP](#) [30-9767-BU](#) [3605](#) [3-21030-1](#) [ZCH-110-RGB-I](#) [503471-0290](#) [ZCH-110-RGB-J](#) [217-0716-200](#)  
[1954563-1](#) [1-293657-2](#) [2834036-1](#) [2834037-1](#) [1-2213222-4](#) [2-2213222-4](#) [2213222-4](#) [2834122-3](#) [2834122-5](#) [2834135-2](#) [FLA-R4142-30](#)  
[FLA-R4162-30](#) [FLA-R2142-30](#) [FLA-R2141-30](#) [FLA-R2162-30](#) [FLA-R2161-30](#) [FLA-R0161-30](#) [FLA-R0141-30](#) [FLA-R0142-30](#) [FLA-](#)  
[R0162-30](#) [FLA-C00-00](#) [DGA00010553](#) [CNXV04NTP](#) [104128-0610](#) [503485-0000 \(Cut Strip\)](#) [503485-0000 \(Loose Piece\)](#) [503485-0000](#)  
[\(MINI Reel\)](#) [1-2834074-2](#) [1-2834074-3](#) [1357-AC PLUG W2C \(CHINA\)](#) [1357-AC PLUG W2 \(USA\)](#) [104266-0110](#) [2106212-1](#) [2-2834074-2](#)  
[104266-0210](#) [293470-1](#) [293651-2](#) [293651-4](#) [1-2834006-2](#) [293651-1](#)