

SCALA NON IMPEGNATIVA
(DO NOT SCALE)
DIMENSIONI IN mm
(DIMENSIONS IN mm)

METRIC

PROIEZIONE EUROPEA
(EUROPEAN PROJECTION)

NOTE (NOTES)

- MATERIALE (MATL.): BRONZO FOSFOROSO (PHOSPHOR BRONZE).
- FINITURA (FINISH): DORATO 0.4µm NELL'AREA DI CONTATTO E FLASH DI ORO SUL RESTO ECCETTO LE ZONE TRANCIATE, SU 1.3µm DI NI. (GOLD PLATED 0.4µm IN CONTACT AREA AND GOLD FLASH ON REMAINDER EXCEPT FOR CUTTING EDGES, OVER 1.3µm NICKEL).
- FINITURA (FINISH): DORATO 0.4µm NELL'AREA DI CONTATTO E FLASH DI ORO SUL RESTO, SU 1.3µm DI NI. (GOLD PLATED 0.4µm IN CONTACT AREA AND GOLD FLASH ON REMAINDER, OVER 1.3µm NICKEL).
- FINITURA (FINISH): DORATO 0.4µm NELL'AREA DI CONTATTO, SU 1.3µm DI NI. (GOLD PLATED 0.4µm IN CONTACT AREA, OVER 1.3µm NICKEL).
- FINITURA (FINISH): DORATO 0.8µm NELL'AREA DI CONTATTO E FLASH DI ORO SUL RESTO ECCETTO LE ZONE TRANCIATE, SU 1.3µm DI NI. (GOLD PLATED 0.8µm IN CONTACT AREA AND GOLD FLASH ON REMAINDER EXCEPT FOR CUTTING EDGES, OVER 1.3µm NICKEL).
- FINITURA (FINISH): DORATO 0.8µm NELL'AREA DI CONTATTO E FLASH DI ORO SUL RESTO, SU 1.3µm DI NI. (GOLD PLATED 0.8µm IN CONTACT AREA AND GOLD FLASH ON REMAINDER, OVER 1.3µm NICKEL).
- FINITURA (FINISH): STAGNATO 0.8µm ECCETTO LE ZONE TRANCIATE. (TIN PLATED 0.8µm ALL OVER EXCEPT FOR CUTTING EDGES).
- PER MINI-APPLICATORE (FOR MINI-APPLICATOR) P/N 781119-2.
- PER APPLICATORE STD. (FOR STD. APPLICATOR).
- PER UTENSILE MANUALE (FOR HANDTOOL) P/N 784044-1.

*** OBSOLETO**

NOTE (NOTES) 1 & 7	* 181270-6	REV 0	-	280530-6	REV AN
NOTE (NOTES) 1 & 6	-	-	-	280530-5	REV AN
NOTE (NOTES) 1 & 5	181270-4	REV AN	1-280530-4	280530-4	REV AN
NOTE (NOTES) 1 & 4	181270-3	REV AN	1-280530-3	280530-3	REV AN
NOTE (NOTES) 1 & 3	181270-2	REV AN	1-280530-2	280530-2	REV AN
NOTE (NOTES) 1 & 2	181270-1	REV AN	1-280530-1	280530-1	REV AN
MATERIALE E FINITURA (MATL. & FINISH)	LOOSE-PIECE PART NUMBER: NOTA (NOTED) 10		STRIP PART NUMBER (R. TO L.): NOTA (NOTED) 9	STRIP PART NUMBER (L. TO R.): NOTA (NOTED) 8	

CUSTOMER DWG. FOR REFERENCE ONLY DISEGNO PER CLIENTE SOLO PER RIFERIMENTO

THIS DRAWING IS UNPUBLISHED RELEASE FOR PUBLICATION 19

TOLLERANZE: SE NON DIVERSAMENTE SPECIFICATO
TOLERANCES: UNLESS OTHERWISE SPECIFIED
± 0.3

DIAM. ISOLANTE (INS. DIA. RANGED) 1.0-1.55MM
RANGO FILO (WIRE RANGED) 0.13-0.32 MM (26-22 AWG)
SCALA (SCALED) -

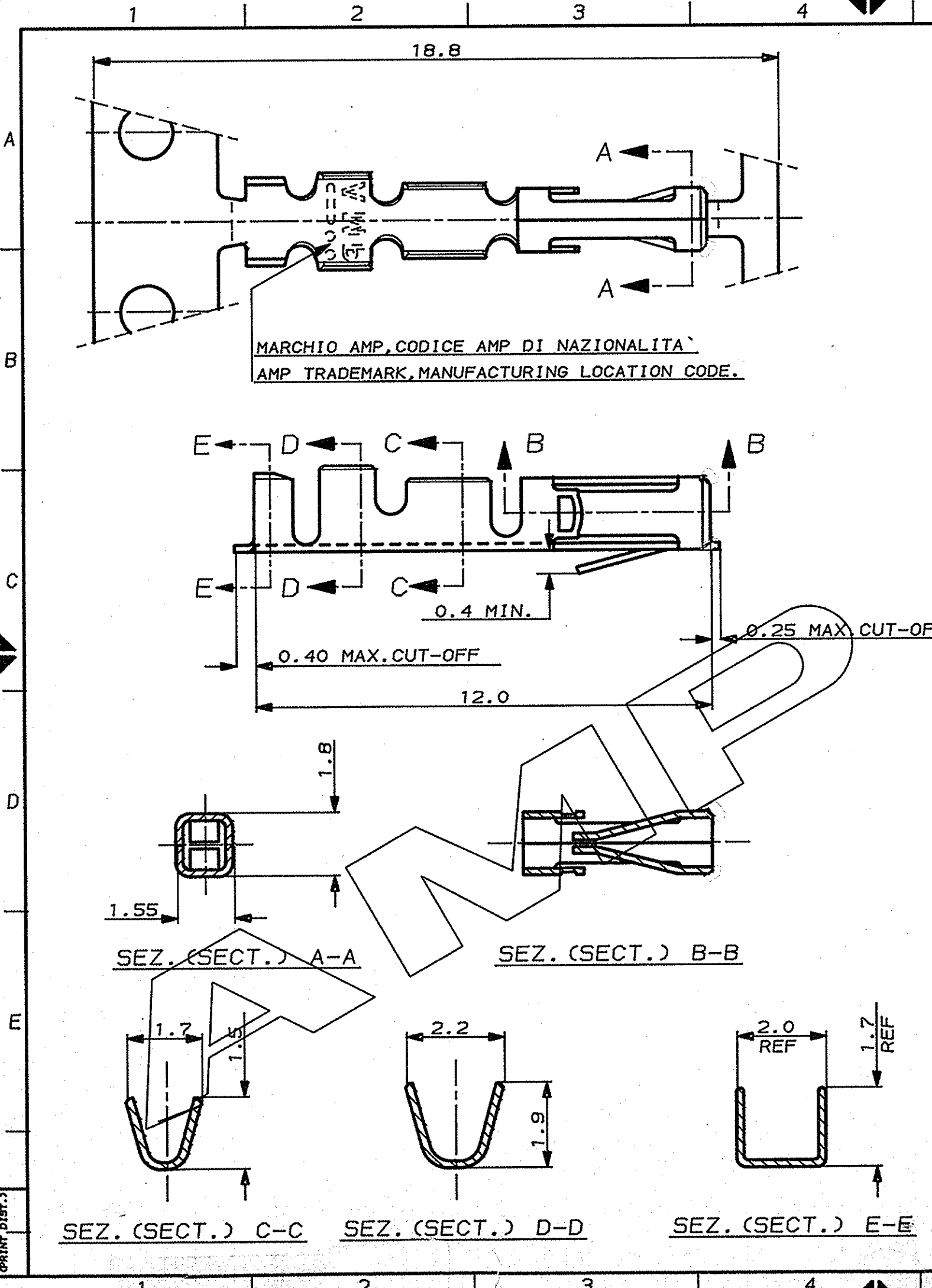


DIS.G. CAMPIA 30 JUNE 89

DESCRIZIONE (DESCRIPTION) AMPMODU II REC. CONTACT, STD PRESSURE, C.O.S.I.

CONT. (CONT.) -
LCC. SIZE NUMERO (CNS. NO.) IA3C-280530
REV. AN1 FOGLIO (SHEET) DI (OF) 1

AN1	REVISED PER ECO-11-005140	RK	DIS. DATA (DATE)
REV.	REVISIONI (REVISION RECORD)	DIS. DATA (DATE)	APP. (APP.)



DISTRIBUZIONE (PRINT, DIST.)

X-ON Electronics

Largest Supplier of Electrical and Electronic Components

Click to view similar products for [Headers & Wire Housings](#) category:

Click to view products by [TE Connectivity](#) manufacturer:

Other Similar products are found below :

[892-18-020-10-001101](#) [58102-G61-06LF](#) [582553-1](#) [0009485154](#) [009176003701906](#) [0050291907](#) [LY20-4P-DT1-P1E-BR](#) [02.125.8002.8](#)
[609-3404](#) [61062-3](#) [61082-181009](#) [622-3653LF](#) [63453-116](#) [636-1030](#) [636-1427](#) [636-3427](#) [636-4007](#) [641938-9](#) [641991-4](#) [644827-2](#) [65817-010LF](#) [65817-015LF](#) [65863-015LF](#) [66207-023LF](#) [67095-007LF](#) [67601157](#) [68645-018](#) [68648-049](#) [70.362.1628.0](#) [70-4210](#) [70-4226B](#) [70-4853B](#) [707-5020](#) [707-5028](#) [71.350.2428.0](#) [71918-208LF](#) [71961-016LF](#) [733-134](#) [733-162](#) [754199-000](#) [760-3052](#) [787-8014-00](#) [79531-3000](#)
[FCN-360C032-B](#) [FCN-367T-T012/H](#) [FCN-723D010/2](#) [80.063.4001.1](#) [800-90-001-10-001000](#) [800-90-010-10-002000](#) [801-43-002-10-013000](#)