

NOTE (NOTES)

- MATERIALE (MATL.): BRONZO FOSFOROSO (PHOSPHOR BRONZE).
- FINITURA (FINISH): DORATO 0.4µm NELL'AREA DI CONTATTO E FLASH DI ORO SUL RESTO ECCETTO LE ZONE TRANCIATE, SU 1.3µm DI NI. (GOLD PLATED 0.4µm IN CONTACT AREA AND GOLD FLASH ON REMAINDER EXCEPT FOR CUTTING EDGES, OVER 1.3µm NICKEL).
- FINITURA (FINISH): DORATO 0.4µm NELL'AREA DI CONTATTO E FLASH DI ORO SUL RESTO, SU 1.3µm DI NI. (GOLD PLATED 0.4µm IN CONTACT AREA AND GOLD FLASH ON REMAINDER, OVER 1.3µm NICKEL).
- FINITURA (FINISH): DORATO 0.4µm NELL'AREA DI CONTATTO, SU 1.3µm DI NI. (GOLD PLATED 0.4 µm IN CONTACT AREA, OVER 1.3µm NICKEL).
- FINITURA (FINISH): DORATO 0.8µm NELL'AREA DI CONTATTO E FLASH DI ORO SUL RESTO ECCETTO LE ZONE TRANCIATE, SU 1.3µm DI NI. (GOLD PLATED 0.8µm IN CONTACT AREA AND GOLD FLASH ON REMAINDER EXCEPT FOR CUTTING EDGES, OVER 1.3µm NICKEL).
- FINITURA (FINISH): DORATO 0.8µm NELL'AREA DI CONTATTO E FLASH DI ORO SUL RESTO, SU 1.3µm DI NI. (GOLD PLATED 0.8µm IN CONTACT AREA AND GOLD FLASH ON REMAINDER, OVER 1.3µm NICKEL).
- PER MINI-APPLICATORE (FOR MINI-APPLICATOR) P/N 781119-2.
- PER APPLICATORE STD. (FOR STD. APPLICATOR).
- PER UTENSILE A MANO (FOR HANDTOOL) P/N 782116.

* OBSOLETE
 10 OBSOLETE PARTS.

| | | | |
|--|--|--|---|
| NOTE (NOTES) 1 & 6 | - | - | 280422-5 |
| NOTE (NOTES) 1 & 5 | 181271-4 | 1-280422-4 | 280422-4 * |
| NOTE (NOTES) 1 & 4 | 10 181271-3 | 1-280422-3 | 280422-3 * |
| NOTE (NOTES) 1 & 3 | 181271-2 | 1-280422-2 | 280422-2 |
| NOTE (NOTES) 1 & 2 | 181271-1 | 1-280422-1 | 280422-1 |
| MATERIALE E FINITURA: (MATL. & FINISH) | LOOSE-PIECE PART NUMBER: (NOTA (NOTE) 9) | STRIP PART NUMBER (CL. TO L.): (NOTA (NOTE) 8) | STRIP PART NUMBER: (CL. TO R.): (NOTA (NOTE) 7) |

CUSTOMER DRAWING FOR REFERENCE ONLY / DISEGNO PER CLIENTE SOLO PER RIFERIMENTO

THIS DRAWING IS UNPUBLISHED / RELEASE FOR PUBLICATION 19

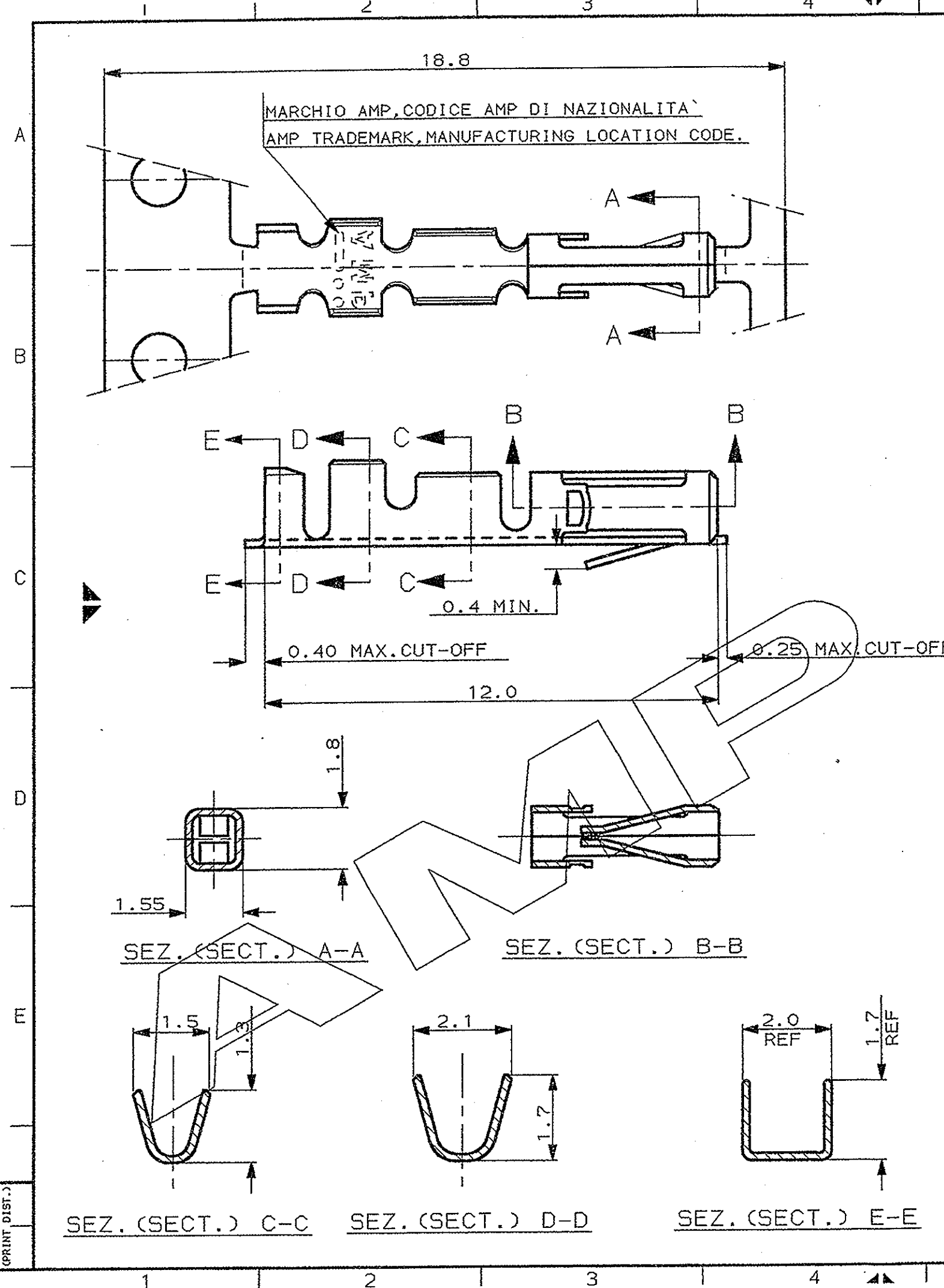
| | | | |
|--|--|--|-----------------|
| TOLLERANZE, SE NON DIVERSAMENTE SPECIFICATO (TOLERANCES, UNLESS OTHERWISE SPECIFIED) | DIAM. ISOLANTE (INS. DIA. RANGE) 0.65-1.3 MM | RANGO FILO (WIRE RANGE) 0.04-0.08 MM (30-28 AWG) | SCALA (SCALE) - |
|--|--|--|-----------------|

ANGOLI (ANGLES) ± 0.3

DIS. G. CAMPIA 29 JUNE 89 / DESCRIZIONE (DESCRIPTION) AMPMODU II REC. CONTACT, STD PRESSURE, C.O.S.I.

| | | | |
|-----------|-----------------|------|----------------|
| LOC. SIZE | NUMERO (CNS NO) | REV. | FOGLIO (SHEET) |
| I A3 C | 280422 | AC2 | 1 DI (OF) 1 |

| | | | |
|-------------------|-----------------------------|-----------|-------------|
| AC2 | REVISED PER ECO-11-005140 | RK | 31MAR11 |
| REV. (REV. LEVEL) | REVISIONI (REVISION RECORD) | DIS. (DR) | DATA (DATE) |



DISTRIBUZIONE (PRINT DIST.)

X-ON Electronics

Largest Supplier of Electrical and Electronic Components

Click to view similar products for [Headers & Wire Housings](#) category:

Click to view products by [TE Connectivity](#) manufacturer:

Other Similar products are found below :

[95000-104TRLF](#) [10135584-644402LF](#) [DF62W-EP2022PCA](#) [95000-106TRLF](#) [DF62W-2022SCA](#) [DF62W-EP2022PC](#) [2203348](#) [DF62W-2022SC](#) [1084018](#) [1029039](#) [1084017](#) [802-10-012-10-002000](#) [1112640](#) [1112639](#) [000-34000](#) [0009482033](#) [0009507031](#) [57102-S06-03LF](#) [57202-S52-04LF](#) [PCN6-15S-2.5E](#) [0039019024](#) [58102-G61-06LF](#) [582553-1](#) [0009508121](#) [0050291907](#) [018731A](#) [LY20-4P-DT1-P1E-BR](#) [02.125.8002.8](#) [60101931](#) [60598-1 \(Cut Strip\)](#) [M1625-3R/100](#) [61062-3](#) [61082-181009](#) [636-1427](#) [638009-1](#) [641938-9](#) [641991-4](#) [644168-1](#) [647662-1](#) [65039-019ELF](#) [65817-002LF](#) [65817-015LF](#) [65863-015LF](#) [66207-023LF](#) [67016-026LF](#) [67046-001LF](#) [67095-007LF](#) [68002-116](#) [68016-236H](#) [68648-049](#)