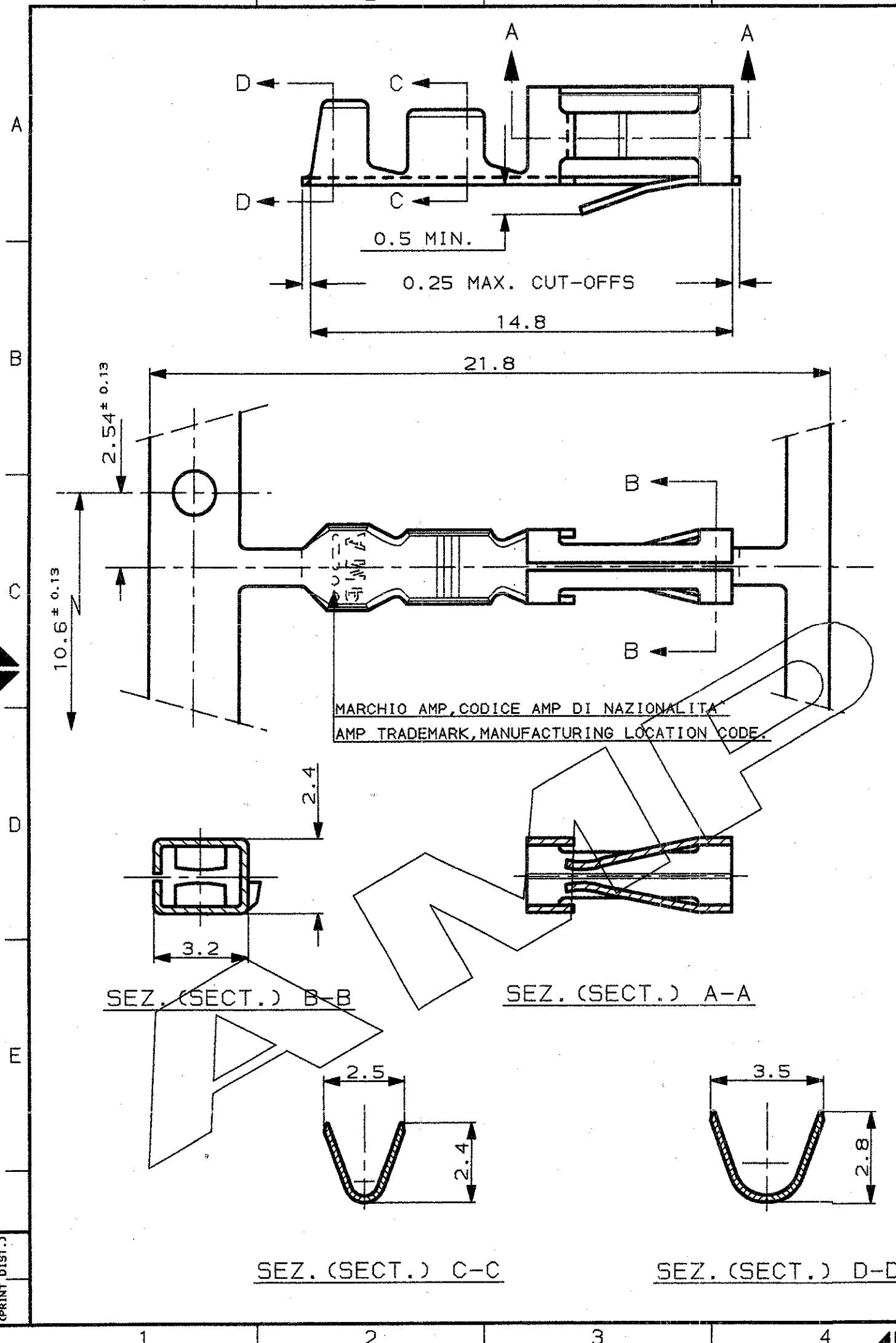


NOTE (NOTES)

1. MATERIALE (MATL.): BRONZO FOSFOROSO (PHOSPHOR BRONZE).
2. FINITURA (FINISH): STAGNATO 0.8µm ECCEPTE LE ZONE TRANCIATE. (TIN PLATED 0.8µm ALL OVER EXCEPT FOR CUTTING EDGES.)
3. FINITURA (FINISH): DORATO 0.4µm NELL'AREA DI CONTATTO E FLASH DI ORO SUL RESTO ECCEPTE LE ZONE TRANCIATE, SU 0.8µm DI Ni. (GOLD PLATED 0.4µm IN CONTACT AREA AND GOLD FLASH ON REMAINDER EXCEPT FOR CUTTING EDGES, OVER 0.8µm NICKEL).
4. FINITURA (FINISH): DORATO 1.3µm NELL'AREA DI CONTATTO E FLASH DI ORO SUL RESTO, SU 0.8µm DI Ni. (GOLD PLATED 1.3µm IN CONTACT AREA AND GOLD FLASH ON REMAINDER, OVER 0.8µm NICKEL.)
5. FINITURA (FINISH): DORATO 0.8µm NELL'AREA DI CONTATTO E FLASH DI ORO SUL RESTO, SU 0.8µm DI Ni. (GOLD PLATED 0.8µm IN CONTACT AREA AND GOLD FLASH ON REMAINDER, OVER 0.8µm NICKEL.)
6. PER MINI-APPLICATORE (FOR MINI-APPLICATOR) P/N 781272-2.
7. PER UTENSILE MANUALE (FOR HANDTOOL) P/N 90274-2.
8. OBSOLETE PARTS: OBSOLETE CIS STREAMLINING PER D.RENAUD/D.SINISI



NOTE (NOTES) 1 & 5	181299-6	280621-6
NOTE (NOTES) 1 & 4	181299-4	280621-4 <b>8</b>
NOTE (NOTES) 1 & 3	181299-2	280621-2
NOTE (NOTES) 1 & 2	181299-1	280621-1
MATERIALE E FINITURA (MATL. & FINISH)	LOOSE-PIECE PART NUMBER, NOTA (NOTE) 7	STRIP PART NUMBER, NOTA (NOTE) 6

CUSTOMER DRAWING FOR REFERENCE ONLY      DISEGNO PER CLIENTE SOLO PER RIFERIMENTO

THIS DRAWING IS UNPUBLISHED      RELEASE FOR PUBLICATION      19

TOLLERANZE, SE NON DIVERSAMENTE SPECIFICATO (TOLERANCES, UNLESS OTHERWISE SPECIFIED)	DIAM. ISOLANTE (INS. DIA. RANGE) 1.8-2.3 mm	RANGO FILO (WIRE RANGE) 0.32-0.9 mm <sup>2</sup> (22-18 AWG)	SCALA (SCALED) -
---	--	--	---------------------

ANGOLI (ANGLES) ± 0.3  
± 2°



DIS. G. CAMPIA (DR.) 1 JUNE 89  
DESCRIZIONE (DESCRIPTION) AMPMODU I REC. CONTACT, STD. PRESSURE, C.O.S.I.

N3	REVISED PER ECO-11-005140	RK	31MARI	LOC. SIZE NUMERO (COW NO)	REV.	FOGLIO (SHEET)
REV. (REV. DATE)	REVISIONI (REVISION RECORD)	DIS. (DR)	DATA (DATE)	I A3 C - 280621	N3	1 DI 1 (1 OF 1)

## X-ON Electronics

Largest Supplier of Electrical and Electronic Components

*Click to view similar products for [Headers & Wire Housings](#) category:*

*Click to view products by [TE Connectivity](#) manufacturer:*

Other Similar products are found below :

[892-18-020-10-001101](#) [58102-G61-06LF](#) [582553-1](#) [0009485154](#) [009176003701906](#) [0050291907](#) [LY20-4P-DT1-P1E-BR](#) [02.125.8002.8](#)  
[609-3404](#) [61062-3](#) [61082-181009](#) [622-3653LF](#) [63453-116](#) [636-1030](#) [636-1427](#) [636-3427](#) [636-4007](#) [641938-9](#) [641991-4](#) [644827-2](#) [65817-010LF](#) [65817-015LF](#) [65863-015LF](#) [66207-023LF](#) [67095-007LF](#) [67601157](#) [68645-018](#) [68648-049](#) [70.362.1628.0](#) [70-4210](#) [70-4226B](#) [70-4853B](#) [707-5020](#) [707-5028](#) [71.350.2428.0](#) [71918-208LF](#) [71961-016LF](#) [733-134](#) [733-162](#) [754199-000](#) [760-3052](#) [787-8014-00](#) [79531-3000](#)  
[FCN-360C032-B](#) [FCN-367T-T012/H](#) [FCN-723D010/2](#) [80.063.4001.1](#) [800-90-001-10-001000](#) [800-90-010-10-002000](#) [801-43-002-10-013000](#)