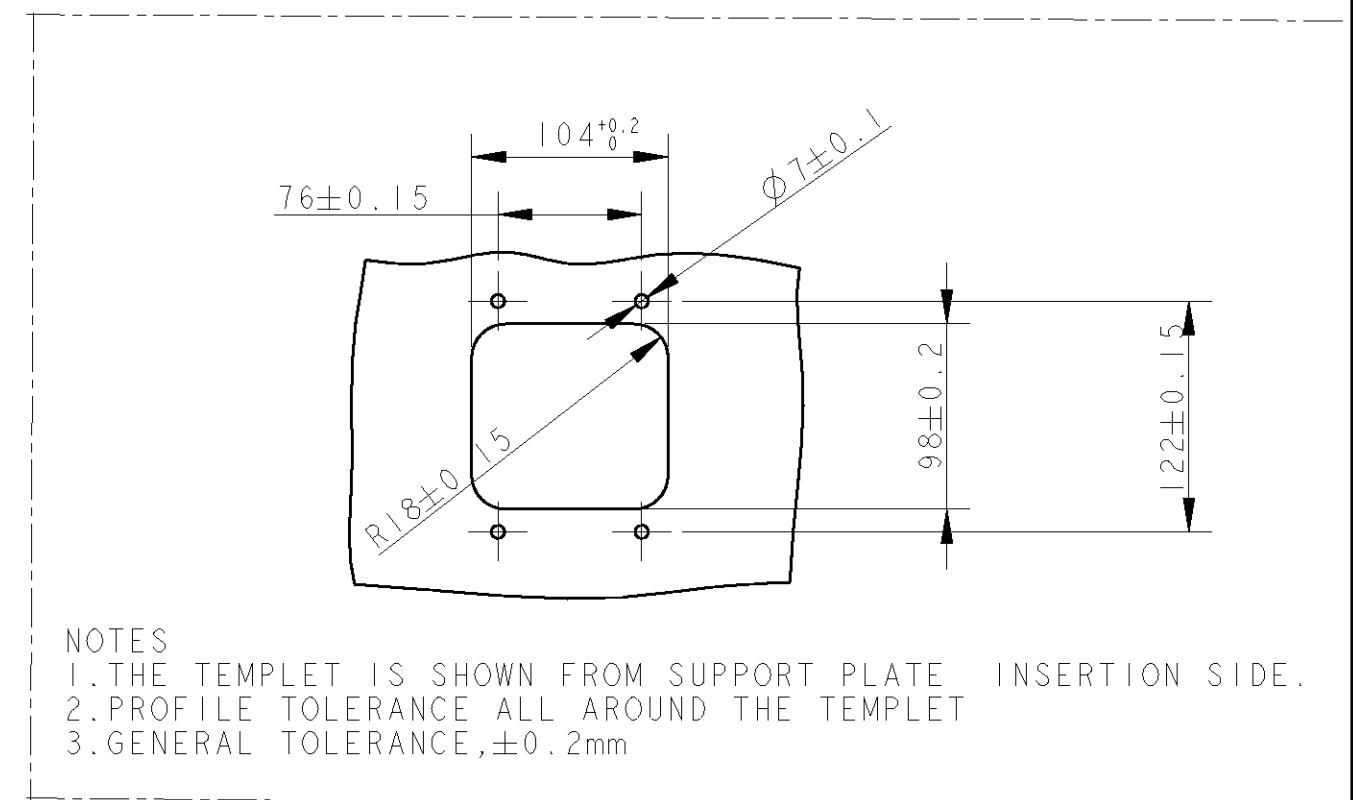
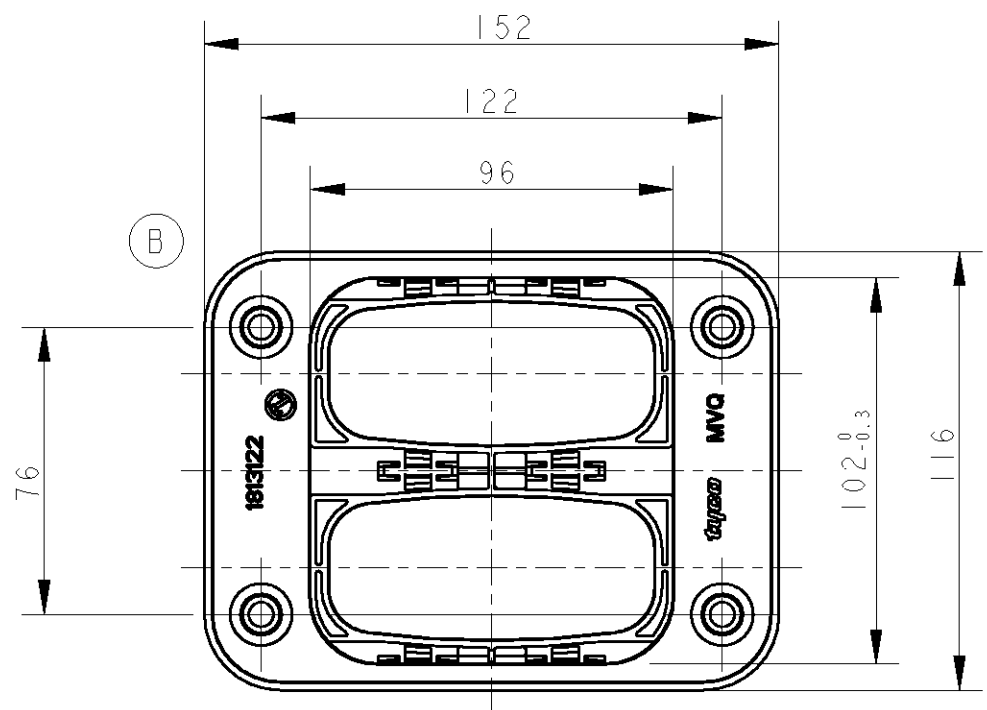
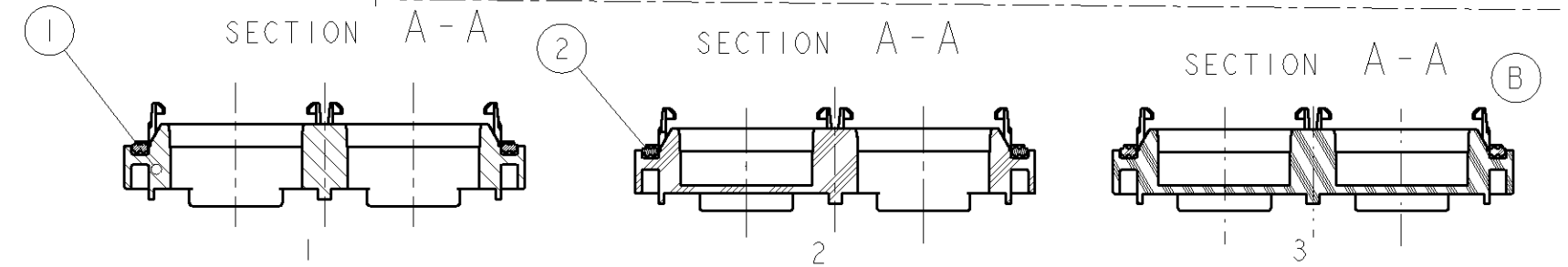
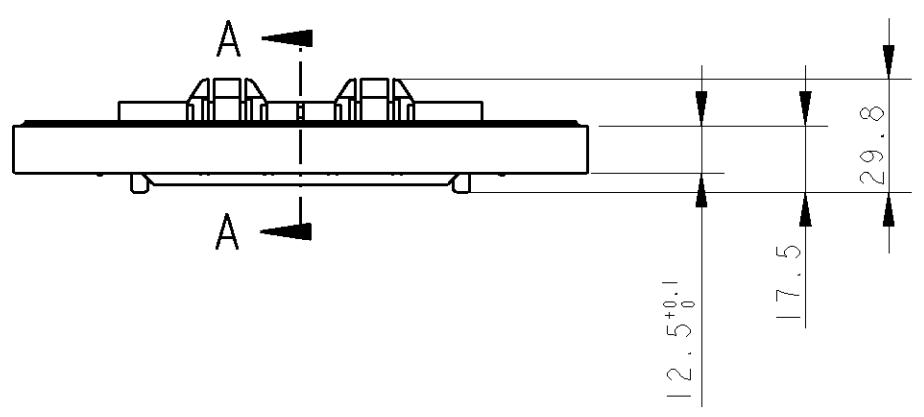


THIS DRAWING IS UNPUBLISHED. RELEASED FOR PUBLICATION 20  
 © COPYRIGHT 20 BY TYCO ELECTRONICS CORPORATION. ALL RIGHTS RESERVED.

LOC	DIST	REVISIONS			
P	LTR	DESCRIPTION	DATE	DWN	APVD
ES	00				
	A	RELEASED	23NOV06	A.S	K.O
	B	ADD NEW PART NUMBER	26JUN07	R.ZH	K.O



NOTES  
 1. THE TEMPLAT IS SHOWN FROM SUPPORT PLATE INSERTION SIDE.  
 2. PROFILE TOLERANCE ALL AROUND THE TEMPLAT  
 3. GENERAL TOLERANCE, ±0.2mm



PART NO	DESCRIPTION	ITEM NO
1813123-3	SUPPORT PLATE FOR 62POS TAB HOUSING, 0LAYOUT	3
1813123-2	SUPPORT PLATE FOR 62POS TAB HOUSING, 1LAYOUT	2
1813123-1	SUPPORT PLATE FOR 62POS TAB HOUSING, 2LAYOUT	1

1813121-PBT GF30;  
 1813122-LSR2040

THIS DRAWING IS A CONTROLLED DOCUMENT FOR TYCO ELECTRONICS CORPORATION IT IS SUBJECT TO CHANGE AND THE CONTROLLING ENGINEERING ORGANIZATION SHOULD BE CONTACTED FOR THE LATEST REVISION.

DIMENSIONS:	TOLERANCES UNLESS OTHERWISE SPECIFIED:
mm	0 PLC ±0.3
	1 PLC ±
	2 PLC ±
	3 PLC ±
	4 PLC ±
	ANGLES ±1°00'
MATERIAL	FINISH -

DWN	A.S	23NOV06	Tyco Electronics Shanghai, China	
CHK	R.ZHOU	25NOV06		
APVD	K.ODA	27NOV06		
PRODUCT SPEC	-	-		
APPLICATION SPEC	-	-	NAME	ASSY, FOR 62POS TAB HSG SUPPORT PLATE, 1-2 LAYOUT
WEIGHT	-	-	SIZE	A3
CUSTOMER DRAWING	SCALE	1:2	CAGE CODE	00779
	SHEET	1	DRAWING NO	C-1813123
	OF	1	RESTRICTED TO	-
	REV	B		

## X-ON Electronics

Largest Supplier of Electrical and Electronic Components

*Click to view similar products for [TE Connectivity](#) manufacturer:*

Other Similar products are found below :

[D38999/24FJ4AN](#) [570416-000](#) [CLTEQ-M81CE-SSRELAY-4-20V](#) [4-1195131-0](#) [650069-000](#) [SMD100-2](#) [358838-000](#) [CB-1022B-78](#)  
[RM707012](#) [RP410012](#) [MMS42](#) [1-640426-8](#) [2EDL4CM](#) [DTS20W19-11PD-3028-LC](#) [RM202615](#) [NC6-P104-06](#) [MSPS103B](#) [DTS26F21-](#)  
[41HE-LC](#) [DTS26F21-41AE](#) [DTS26F21-41PE-LC](#) [DTS26F21-11SE-3028-LC](#) [30DCB6](#) [1932144-1](#) [293545-4](#) [LVR125S](#) [MS27466T25F4PB](#)  
[CKB-38-78010](#) [TR04AI-TINELLOCKRING](#) [1206SFF150F/63-2](#) [D38999/20JB35HA](#) [TE1500A2R2J](#) [D38999/20WC8BB](#) [DTS24F19-11SC-](#)  
[3028-LC](#) [D38999/24WG11HA](#) [D38999/24WG11HN](#) [MS27467T21F11H](#) [DJT16E21-11HA](#) [MS27467T21F35J](#) [MS27467T21F11J](#)  
[MS27467T21F16H-LC](#) [MS27467T21F35H](#) [MS27467T21F41H-LC](#) [1206SFH150F/24-2](#) [RP330024](#) [DJT16E21-11PA-LC](#) [DJT16E21-11HA-](#)  
[LC](#) [DJT16E21-11AA](#) [MS27467T21B11JA](#) [DJT16E21-11JA](#) [MS27467T21B11JA-LC](#)