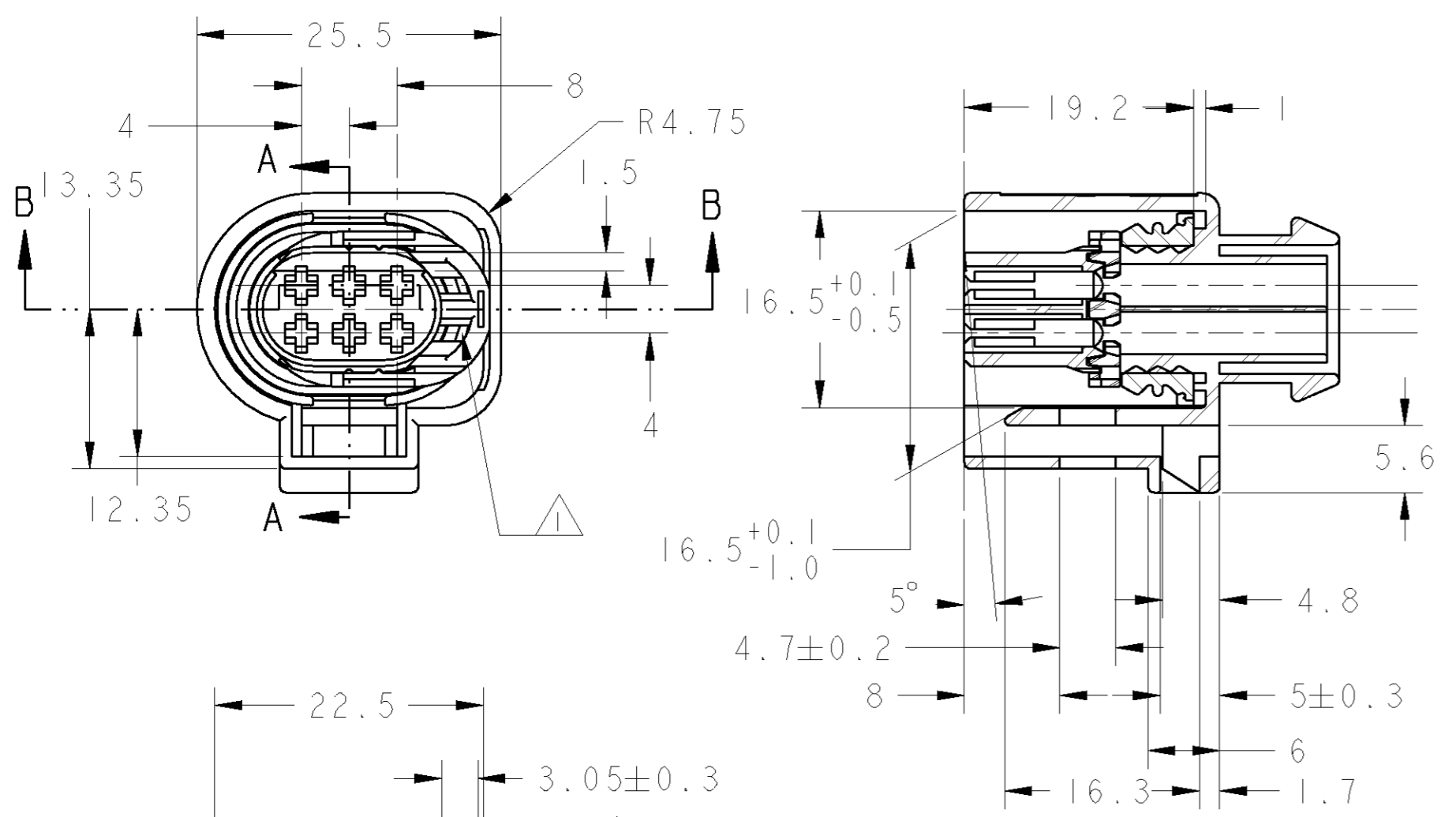
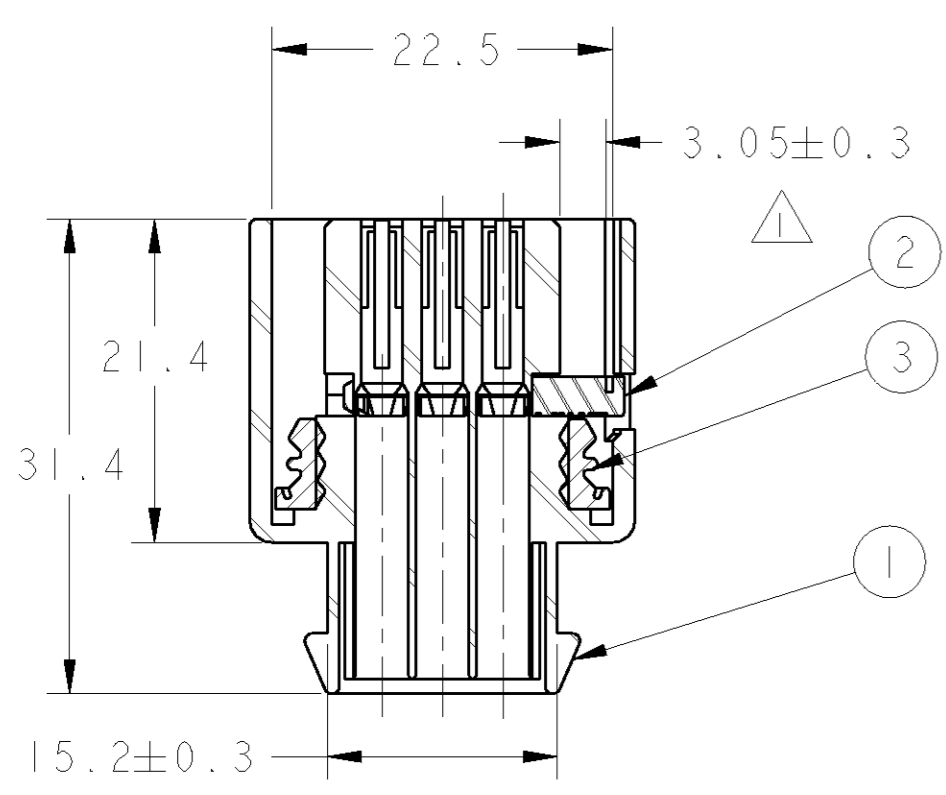


THIS DRAWING IS UNPUBLISHED. RELEASED FOR PUBLICATION
 © COPYRIGHT - BY TYCO ELECTRONICS CORPORATION. ALL RIGHTS RESERVED.

LOC	DIST	REVISIONS			
P	LTR	DESCRIPTION	DATE	DWN	APVD
ES	00				
	0	NEW RELEASED	05APR2005	S.X	K.O
	01	LETTER MISTAKE CORRECTION	15SEP2005	S.X	K.O

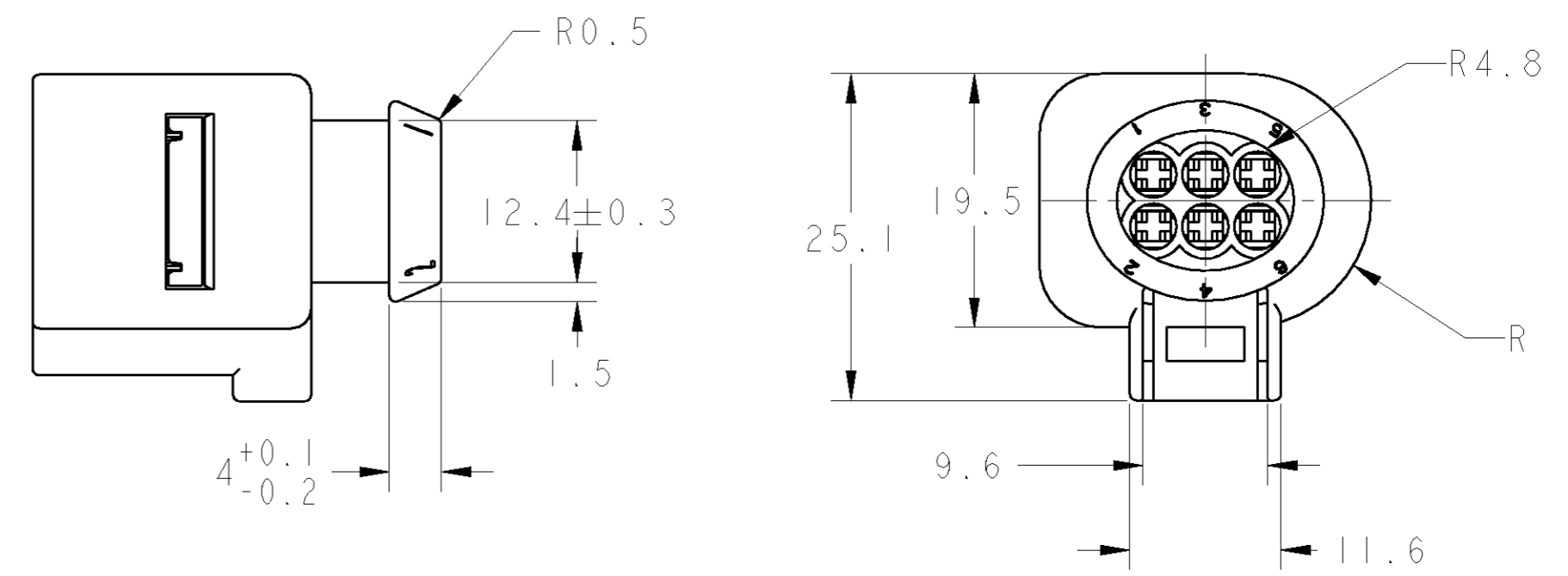
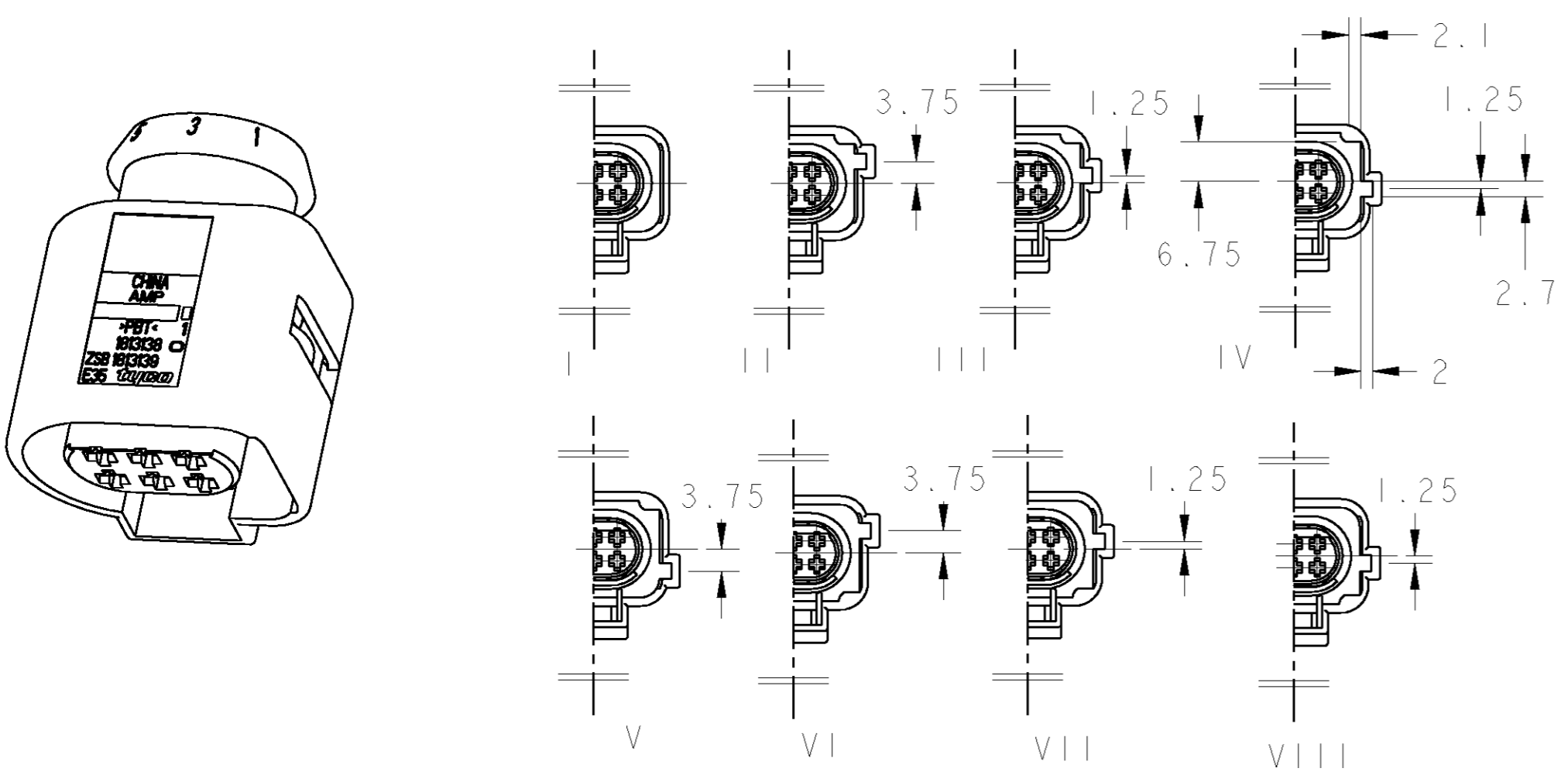


SECTION A-A



SECTION B-B

NOTES
 1 SHOWN AS SUPPLIED: RETAINER IN PRE-LOCKED POSITION
 2 BULK PACKAGED



CODE	ASSY NO.	MATERIAL	COLOR FINISH	DESCRIPTION	QTY	ITEM NO.
VIII	1813139-6	MVQ	ORANGE RAL 2004	SEAL RING , 6POSN.	1	3
		PBT GF10	GRAY RAL 7036	PLUG DBL PL. 6POSN.	1	2
		PBT	BLACK RAL 9011	PLUG HSG, 6POSN.	1	1
VIII	1813139-5	MVQ	ORANGE RAL 2004	SEAL RING , 6POSN.	1	3
		PBT GF10	VIOLET RAL 4006	PLUG DBL PL. 6POSN.	1	2
		PBT	GRAY RAL 7036	PLUG HSG, 6POSN.	1	1
V	1813139-4	MVQ	ORANGE RAL 2004	SEAL RING , 6POSN.	1	3
		PBT GF10	BLUE RAL 5012	PLUG DBL PL. 6POSN.	1	2
		PBT	BLACK RAL 9011	PLUG HSG, 6POSN.	1	1
II	1813139-3	MVQ	ORANGE RAL 2004	SEAL RING , 6POSN.	1	3
		PBT GF10	BROWN RAL 8012	PLUG DBL PL. 6POSN.	1	2
		PBT	BLACK RAL 9011	PLUG HSG, 6POSN.	1	1
II	1813139-2	MVQ	ORANGE RAL 2004	SEAL RING , 6POSN.	1	3
		PBT GF10	VIOLET RAL 4006	PLUG DBL PL. 6POSN.	1	2
		PBT	BROWN RAL 8012	PLUG HSG, 6POSN.	1	1
I	1813139-1	MVQ	ORANGE RAL 2004	SEAL RING , 6POSN.	1	3
		PBT GF10	VIOLET RAL 4006	PLUG DBL PL. 6POSN.	1	2
		PBT	BLACK RAL 9011	PLUG HSG, 6POSN.	1	1

THIS DRAWING IS A CONTROLLED DOCUMENT FOR TYCO ELECTRONICS CORPORATION. IT IS SUBJECT TO CHANGE AND THE CONTROLLING ENGINEERING ORGANIZATION SHOULD BE CONTACTED FOR THE LATEST REVISION.

DWN: S.XUE 02JUN2005
 CHK: R.ZHOU 02JUN2005
 APVD: K.ODA 02JUN2005

tyco Electronics Tyco Electronics AMP Shanghai, China

NAME: MT 6POSN PLUG HOUSING ASSY

SIZE: A2 CAGE CODE: 00779 DRAWING NO: 1813139 RESTRICTED TO: []

MATERIAL: SEE TABLE DIMENSIONS: mm TOLERANCES UNLESS OTHERWISE SPECIFIED: ±0.25

PRODUCT SPEC: - APPLICATION SPEC: - WEIGHT: -

CUSTOMER DRAWING SCALE: 2:1 SHEET 1 OF 1 REV: 01

X-ON Electronics

Largest Supplier of Electrical and Electronic Components

Click to view similar products for [Automotive Connectors](#) category:

Click to view products by [TE Connectivity](#) manufacturer:

Other Similar products are found below :

[003-018-000](#) [60403001](#) [60993906-B](#) [M902-2131](#) [M902-2161](#) [M902-2344](#) [72.330.1035.1](#) [73.353.4028.0](#) [F119300-B](#) [F166900](#) [F258300-B](#)
[F358300-B](#) [F407400](#) [F444110](#) [F487000](#) [F509500B-B](#) [827153-1](#) [8N1515-32-24P](#) [9-1326729-8](#) [925474-1](#) [928905-1](#) [964562-4](#) [968782-1](#)
[GT17SA-8DS-HU](#) [98891-1012](#) [98947-1016](#) [12004147](#) [12004475-L](#) [12010290](#) [12010309-B](#) [12015454](#) [12020219-B](#) [12041318-B](#) [12052225-](#)
[L](#) [12052466](#) [12064869](#) [12004327-B](#) [12015308](#) [12015384](#) [12015909](#) [1-21030-1](#) [12041254](#) [12041318](#) [12047946-B](#) [12047957](#) [12047957-L](#)
[12059473](#) [12066261](#) [12110546](#) [12110546-B](#)