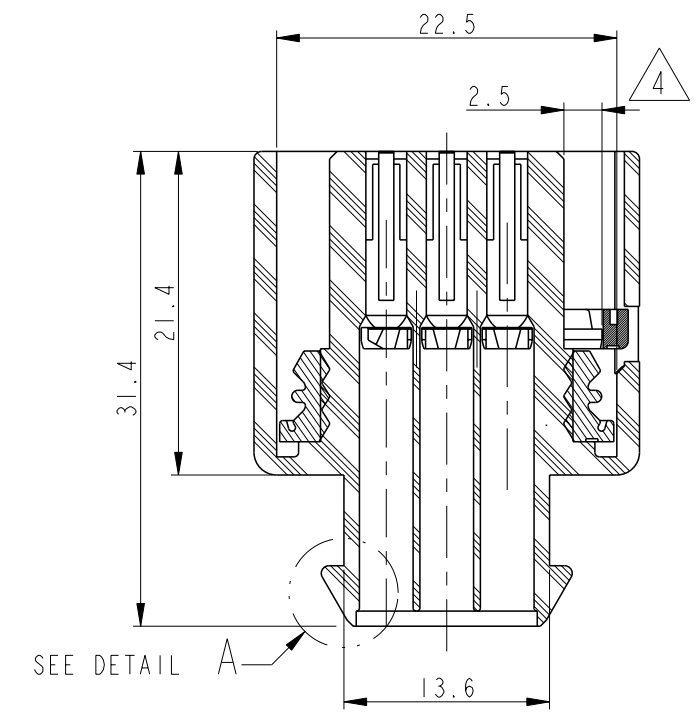
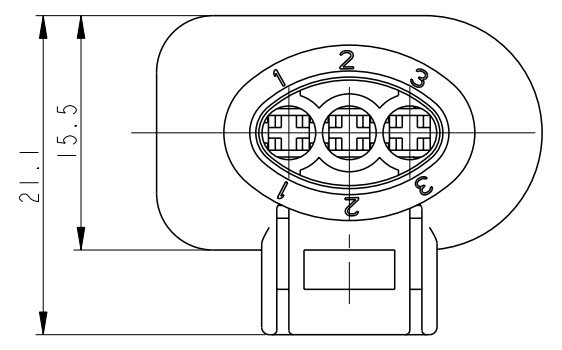
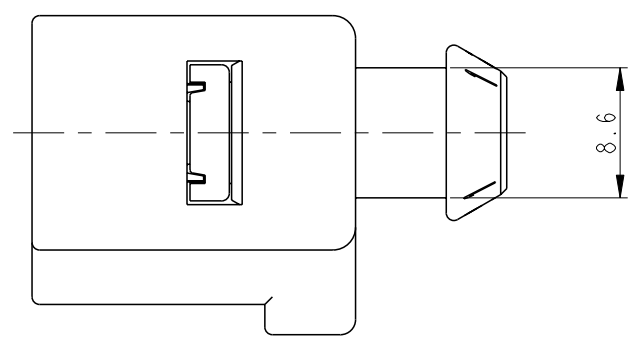
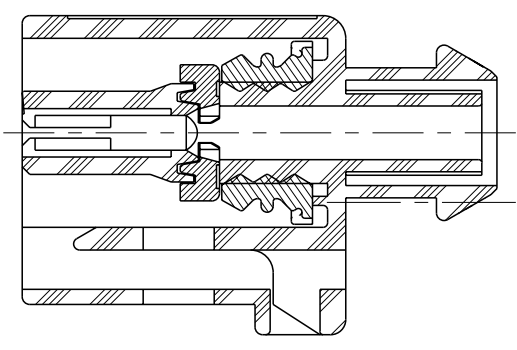
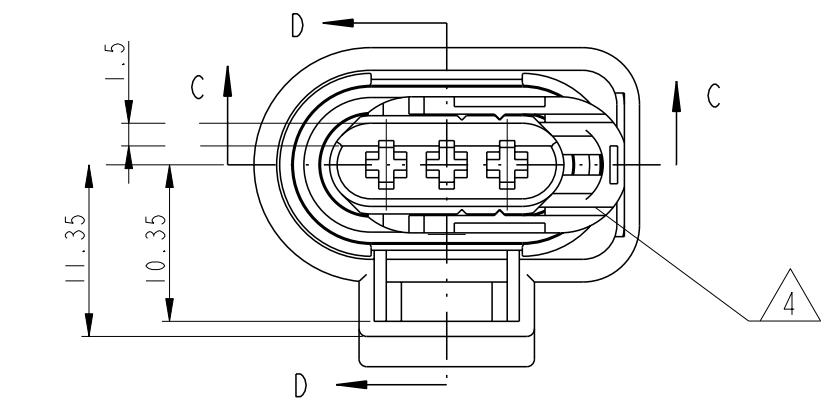
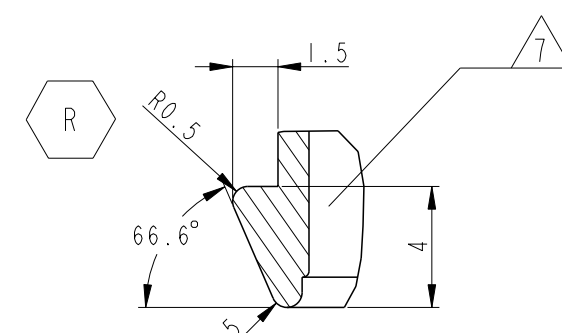
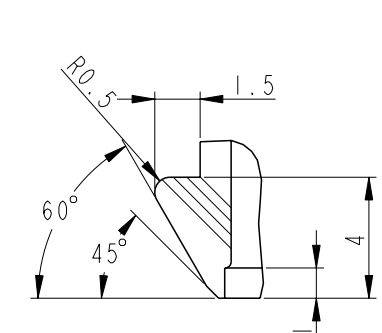


LOC		DIST		REVISIONS			
P	LTR	DESCRIPTION	DATE	DWN	APVD		
O		NEW RELEASED	20APR2006	S.X	K.O		
R		CHANGE FEATURE AND MARK ECR-16-012797	23SEP2016	C.N	I.Y		



SECTION D-D



DETAIL A
SCALE 4:1

DETAIL A
SCALE 4:1

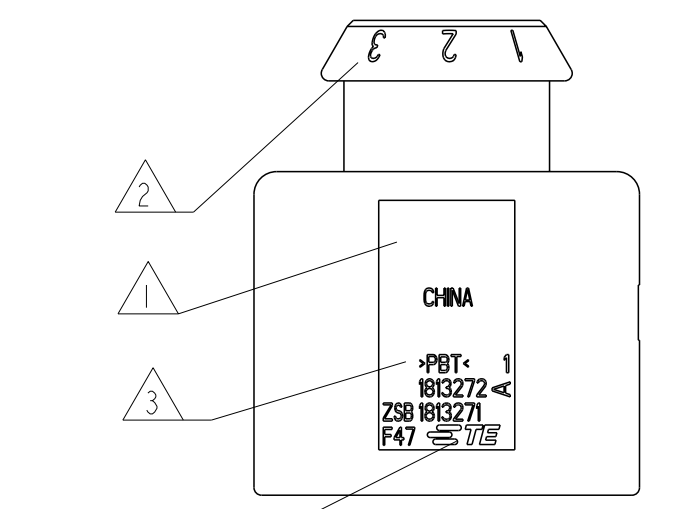
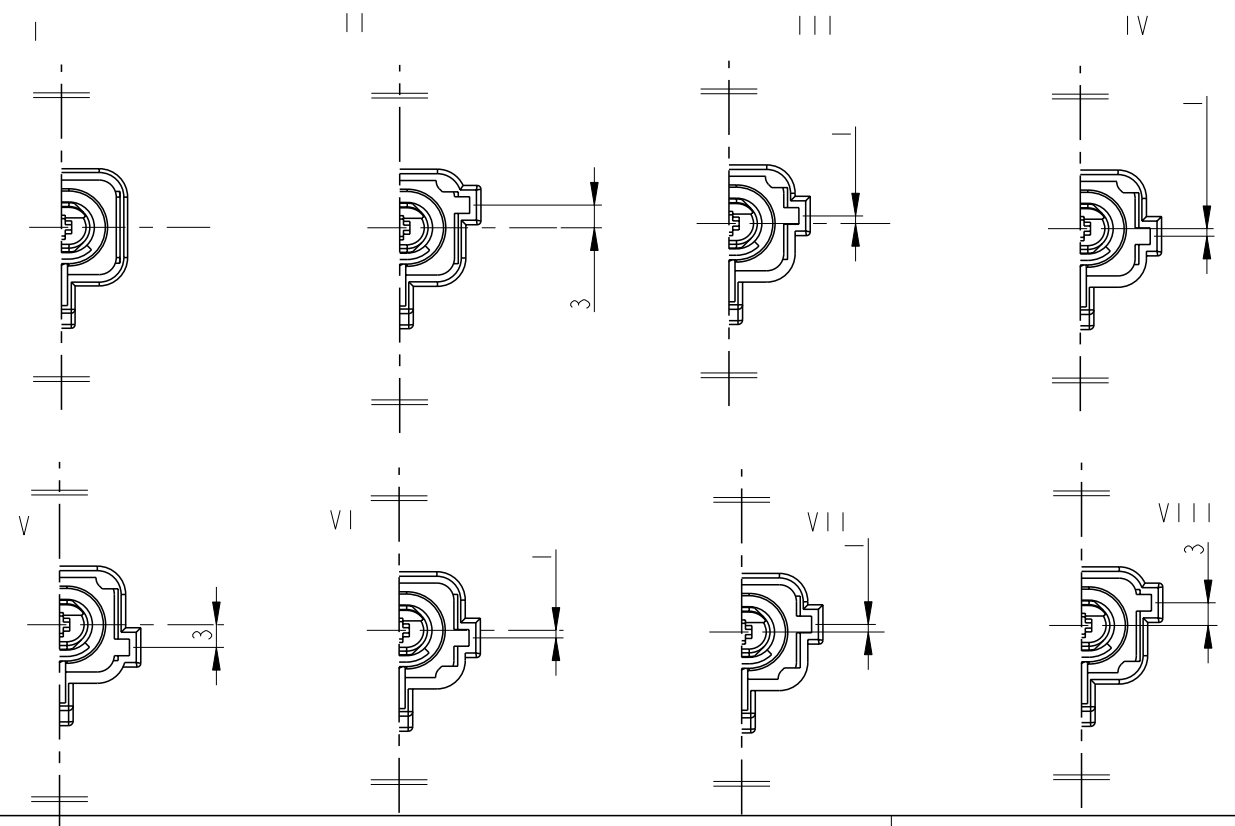
NOTES

- 1 AREA EXCHNGABLE
- 2 CONTACT CAVITY NUMBER: CHARACTERS 2.5 RECEDE 0.3
- 3 MATERIAL MARKING ACC. TO VDA 260
- 4 SHOWN AS SUPPLIED: RETAINER IN PRE-LOCKED POSITION.

5 BULK PACKAGED

- 6 TE LOGO DEVIATION FOR OLD MOLD
- 7 NEW SHAPE APPLIED FOE NEW MOLD AND MOLD REPLACEMENT

CODINGS



CODING	ASSY NO	MATERIAL	COLOR FINISH	DESCRIPTION	Q'TY	ITEM NO
V III	1-1813271-0	MVQ	ORANGE	SEAL RING, 3 POSN	1	3
		PBT GF10	VIOLET	PLUG DBL PL, 3 POSN	1	2
V I	1813271-9	PBT	GREY	PLUG HSG, 3 POSN	1	1
		MVQ	ORANGE	SEAL RING, 3 POSN	1	3
I V	1813271-8	PBT GF10	VIOLET	PLUG DBL PL, 3 POSN	1	2
		PBT	WHITE	PLUG HSG, 3 POSN	1	1
III	1813271-7	MVQ	ORANGE	SEAL RING, 3 POSN	1	3
		PBT GF10	VIOLET	PLUG DBL PL, 3 POSN	1	2
III	1813271-6	PBT	ORANGE	PLUG HSG, 3 POSN	1	1
		MVQ	ORANGE	SEAL RING, 3 POSN	1	3
III	1813271-5	PBT GF10	VIOLET	PLUG DBL PL, 3 POSN	1	2
		PBT	BLACK	PLUG HSG, 3 POSN	1	1
II	1813271-4	MVQ	ORANGE	SEAL RING, 3 POSN	1	3
		PBT GF10	VIOLET	PLUG DBL PL, 3 POSN	1	2
II	1813271-3	PBT	DARK BLUE	PLUG HSG, 3 POSN	1	1
		MVQ	ORANGE	SEAL RING, 3 POSN	1	3
I	1813271-2	PBT GF10	VIOLET	PLUG DBL PL, 3 POSN	1	2
		PBT	BROWN	PLUG HSG, 3 POSN	1	1
I	1813271-1	MVQ	ORANGE	SEAL RING, 3 POSN	1	3
		PBT GF10	VIOLET	PLUG DBL PL, 3 POSN	1	2
I	1813271-1	PBT	BLACK	PLUG HSG, 3 POSN	1	1

DIMENSIONS: mm 		TOLERANCES UNLESS OTHERWISE SPECIFIED: ±0.3 0-PLC ± 1-PLC ± 2-PLC ± 3-PLC ± 4-PLC ± ANGLES ± FINISH		DWN S.XUE 20APR2006 CHK R.ZHOU 20APR2006 APVD K.ODA 20APR2006 PRODUCT SPEC 108-18179-1 APPLICATION SPEC N/A WEIGHT 6.21g		tyco Tyco Electronics AMP Shanghai, China NAME PLUG HOUSING ASSEMBLY, 3 POSITION RADIAL SEALED MICRO TIMER II	
MATERIAL S.TAB		S.TAB		CUSTOMER DRAWING		SIZE A2 CAGE CODE 00779 DRAWING NO C-1813271 RESTRICTED TO SCALE 2:1 SHEET 1 OF 1 REV R	

X-ON Electronics

Largest Supplier of Electrical and Electronic Components

Click to view similar products for [Automotive Connectors](#) category:

Click to view products by [TE Connectivity](#) manufacturer:

Other Similar products are found below :

[003-018-000](#) [60403001](#) [60993906-B](#) [M902-2131](#) [M902-2161](#) [M902-2344](#) [72.330.1035.1](#) [73.353.4028.0](#) [F119300-B](#) [F166900](#) [F258300-B](#)
[F358300-B](#) [F407400](#) [F444110](#) [F487000](#) [F509500B-B](#) [827153-1](#) [8N1515-32-24P](#) [9-1326729-8](#) [925474-1](#) [928905-1](#) [964562-4](#) [968782-1](#)
[GT17SA-8DS-HU](#) [98891-1012](#) [98947-1016](#) [12004147](#) [12004475-L](#) [12010290](#) [12010309-B](#) [12015454](#) [12020219-B](#) [12041318-B](#) [12052225-](#)
[L](#) [12052466](#) [12064869](#) [12004327-B](#) [12015308](#) [12015384](#) [12015909](#) [1-21030-1](#) [12041254](#) [12041318](#) [12047946-B](#) [12047957](#) [12047957-L](#)
[12059473](#) [12066261](#) [12110546](#) [12110546-B](#)