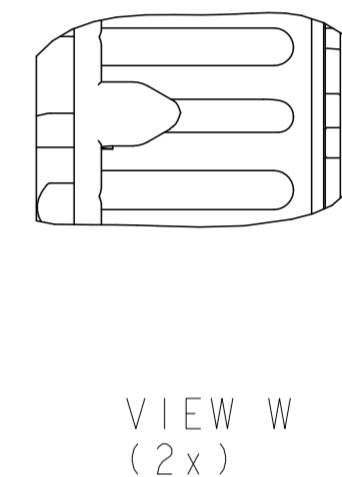
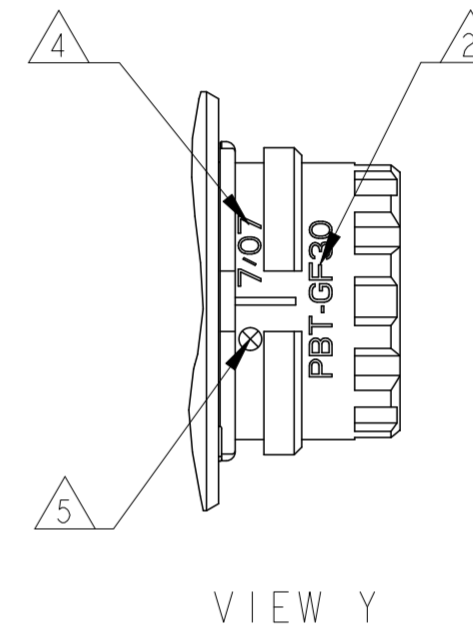
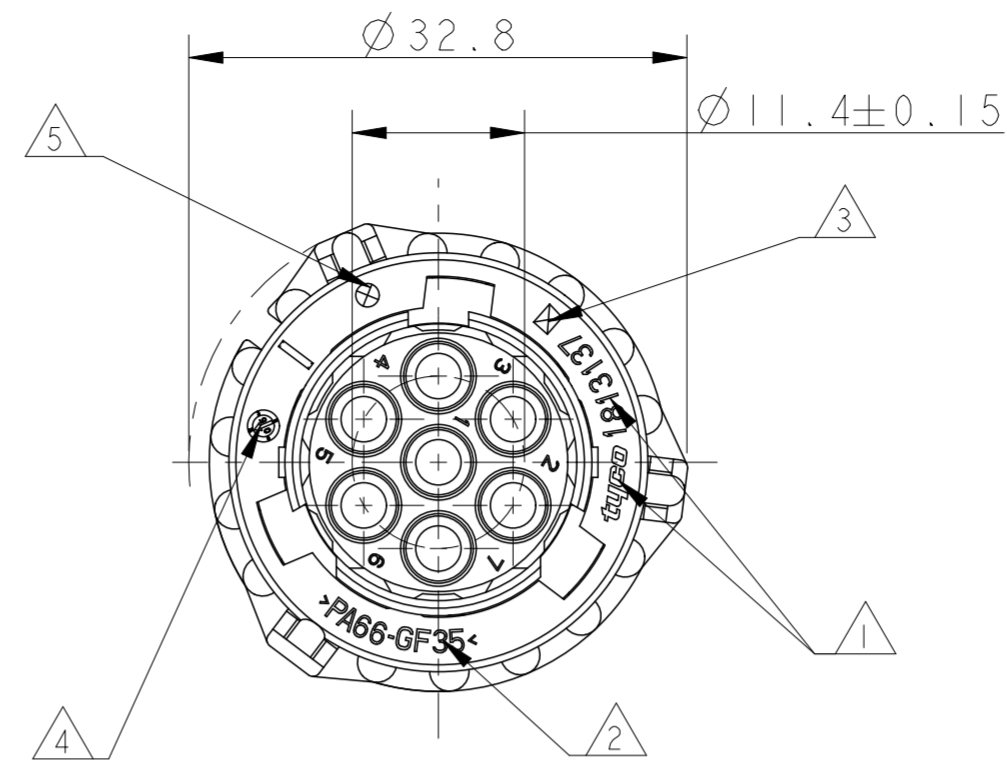
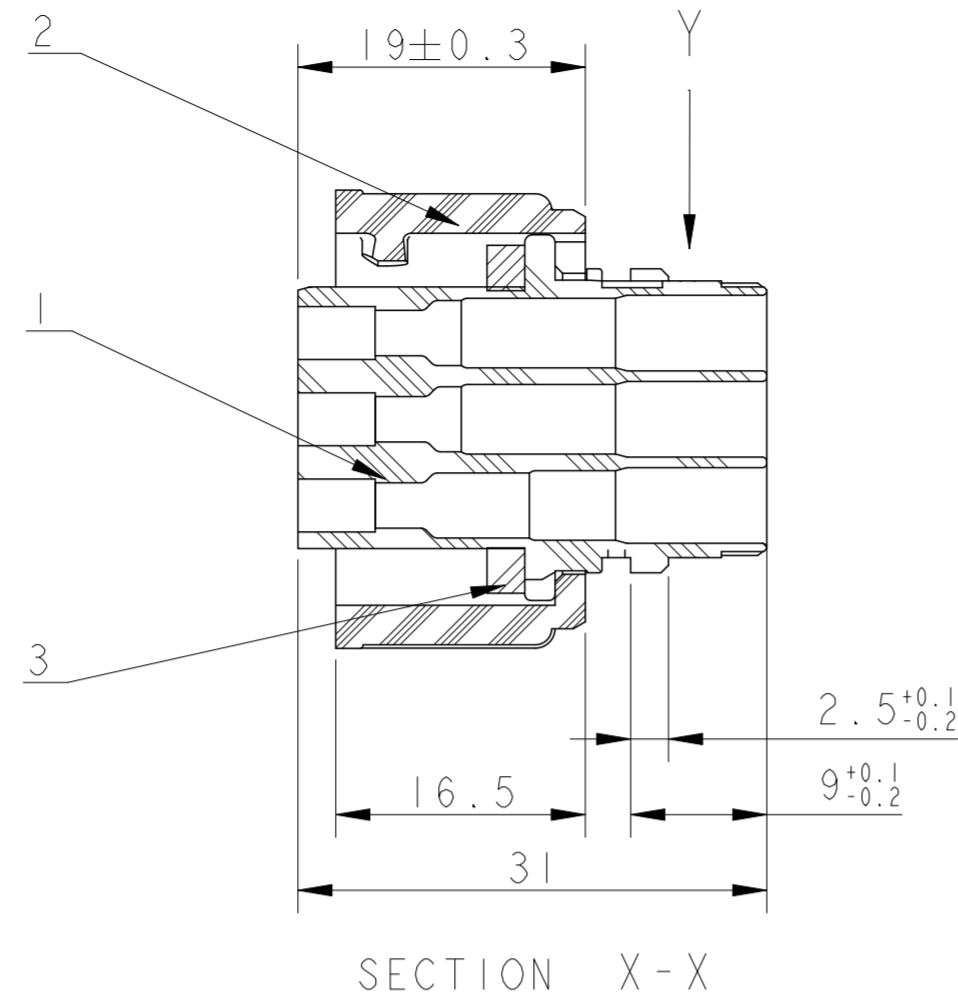
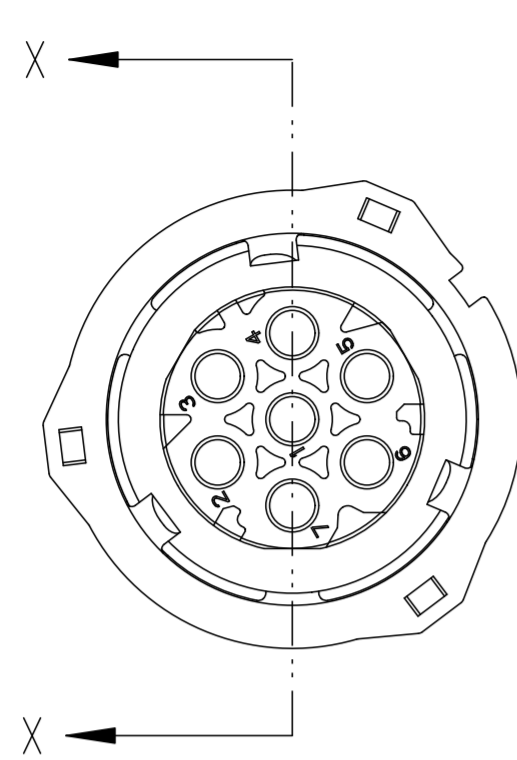
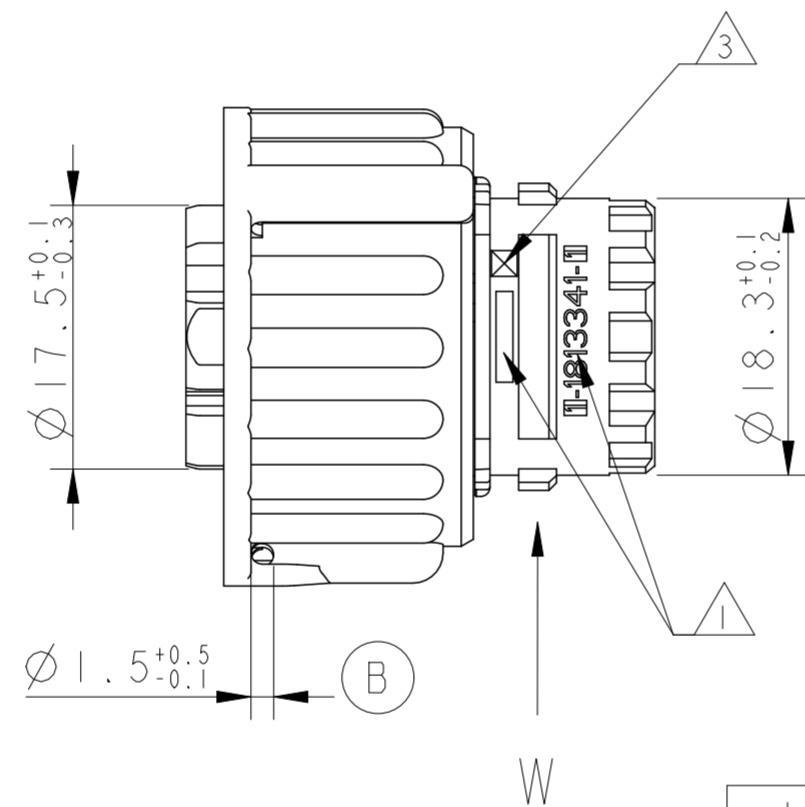


LOC		DIST		REVISIONS			
P	LTR	DESCRIPTION	DATE	DWN	APVD		
ES	00						
	A	RELEASED	08OCT07	WY	KO		
	B	REVISED ECO-13-010505	10APR13	J.L	I.Y		



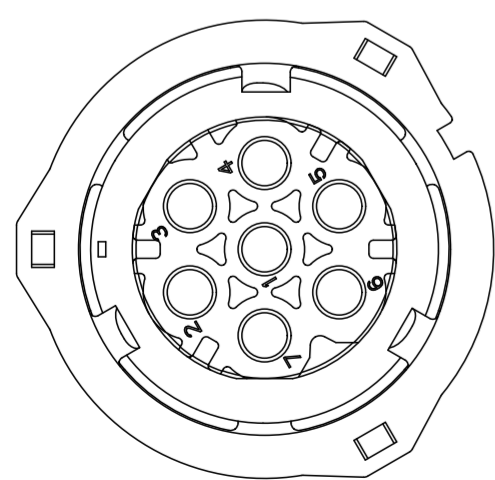
NOTES:

- ① TE LOGO AND PART NUMBER.
- ② MATERIAL MARKING.
- ③ REVISION NUMBER.
- ④ PRODUCTION DATE.
- ⑤ CAVITY MARKING.
- 6. FITS TO COMPONENT INTERFACE 7POS. ACC. TO TE SPEC. 114-18060-0 AND PIN HOUSING 7POS. TE PN 1718230.
- 7. SUITABLE CONTACTS AND SEALS SEE TE DRAWING 1355063.

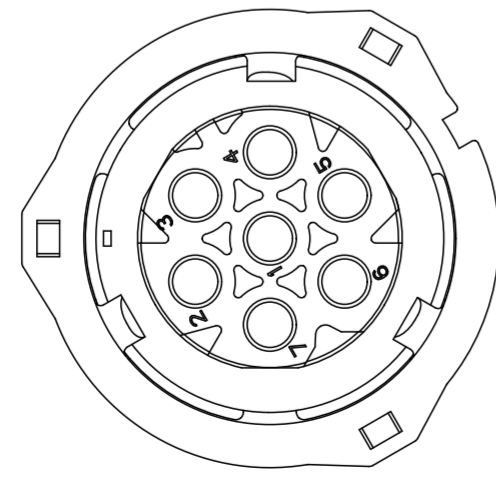


CLOSED CAVITY IN THE 5P. AND 6P. CONNECTOR

FURTHER CODINGS



CODING B



CODING C

3--1	2--1	1--1	-4	-3	-2	-1	USED CONTACT CAVITIES	COLOR	MATERIAL	DESCRIPTION	ITEM
							1~7	BLACK	PA66-GF35	COUPLE RING	3
							1~7	ORANGE	LSR	SEALING	2
							1~7	GREEN	PBT-GF30	7P SOCKET HOUSING, CODING C	1
							1~7	GREY	PBT-GF30	7P SOCKET HOUSING, CODING B	1
							1~7	BLUE	PBT-GF30	7P SOCKET HOUSING, CODING A	1
							2~7	BLACK	PBT-GF30	6P SOCKET HOUSING, CODING A	1
							1~5	BLACK	PBT-GF30	5P SOCKET HOUSING, CODING A	1
							1~6	BLACK	PBT-GF30	6P SOCKET HOUSING, CODING A	1
							1~7	BLACK	PBT-GF30	7P SOCKET HOUSING, CODING A	1

THIS DRAWING IS A CONTROLLED DOCUMENT FOR TYCO ELECTRONICS CORPORATION. IT IS SUBJECT TO CHANGE AND THE CONTROLLING ENGINEERING ORGANIZATION SHOULD BE CONTACTED FOR THE LATEST REVISION.

DWN	W. YUAN	08OCT07	Tyco Electronics Shanghai, China
CHK	K. ODA	08OCT07	
APVD	K. ODA	08OCT07	
NAME			
DIMENSIONS:	TOLERANCES UNLESS OTHERWISE SPECIFIED: ACC. TO ISO 8015		PRODUCT SPEC
mm	0-PLC ±0.3		108-18622-0
	1-PLC ±0.3		APPLICATION SPEC
	2-PLC ±0.10 ±0.2		114-18255-0
	3-PLC ±0.001		WEIGHT
	4-PLC ±0.0001		-
	ANGLES ±2°		FINISH
MATERIAL	SEE TABLE		CUSTOMER DRAWING
	SEE TABLE		SCALE 2:1
			SHEET 1 OF 1
			REV B

1.5mm SOCKET CONNECTOR, 5~7POS.

X-ON Electronics

Largest Supplier of Electrical and Electronic Components

Click to view similar products for [Modular Connectors / Ethernet Connectors](#) category:

Click to view products by [TE Connectivity](#) manufacturer:

Other Similar products are found below :

[8949-H88/06BLKA/SN](#) [74441-0010/BKN](#) [PHP-6P6C-5](#) [GAX-3-66](#) [GAX-8-62](#) [GDCX-PN-66](#) [GLX-A-44](#) [GLX-N-1010M-BLK](#) [GMX-SMT4-N-88](#) [GSGX-N-2-88](#) [GSGX-N-4-88](#) [GSX-NS2-88-3.05](#) [GSX-NS-88-3.68](#) [PT-108A-8C-UL](#) [PTS-J531-8CS-50UL](#) [A-2014-0-4](#) [GWLX-S9-88-YG](#) [DC-1021-8-WH-6](#) [1300530003](#) [1324640-4](#) [RJ11FTVC2G](#) [RJ11FTVC2N](#) [RJFTVX2SA1G](#) [132764-001](#) [1413235](#) [MPS88RX-5000](#) [E5288-S000K3-L](#) [155302-001](#) [AX101050](#) [AX101063](#) [AX101065](#) [AX101072](#) [AX101307](#) [AX101315](#) [AX101318](#) [AX102271](#) [AX102282](#) [AX102288](#) [AX102651](#) [AX102660](#) [AX103259](#) [AX104024](#) [J0012D21NL](#) [J0026D01ENL](#) [PC4D0018P](#) [8949-B88/6](#) [2-6609208-5](#) [937-SP-3088-2PC-A192](#) [303066VFL](#) [303068V](#)