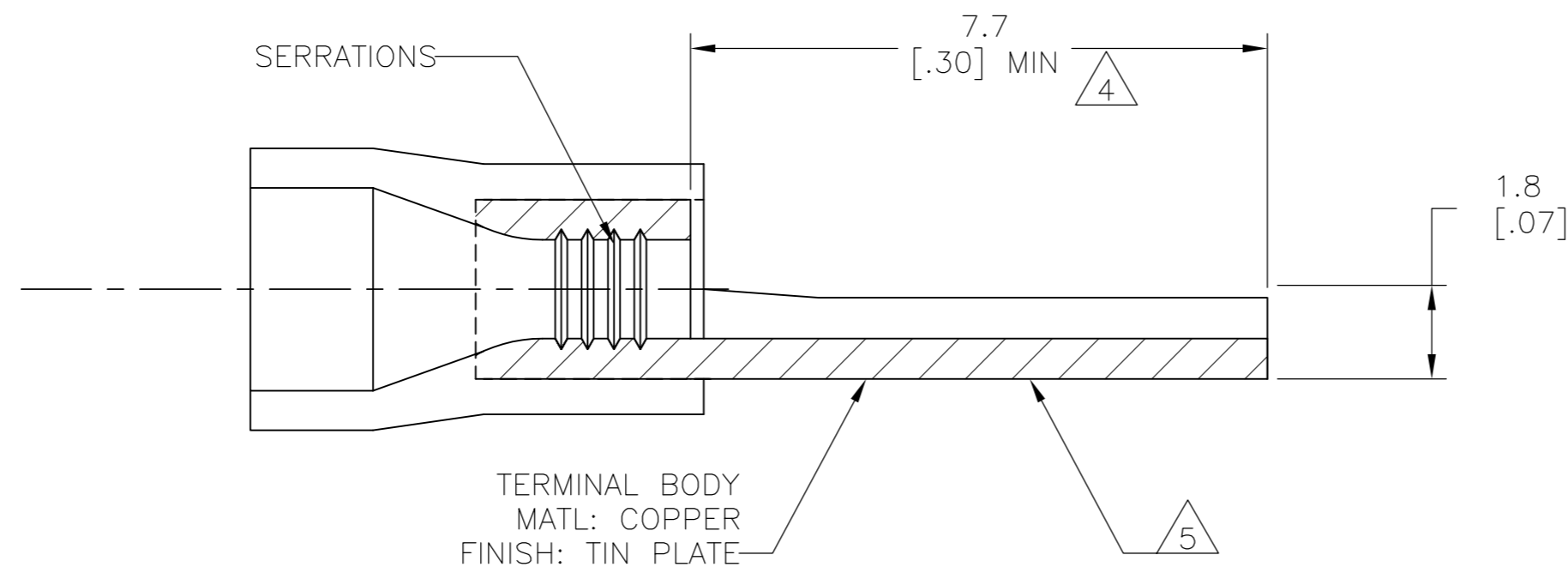
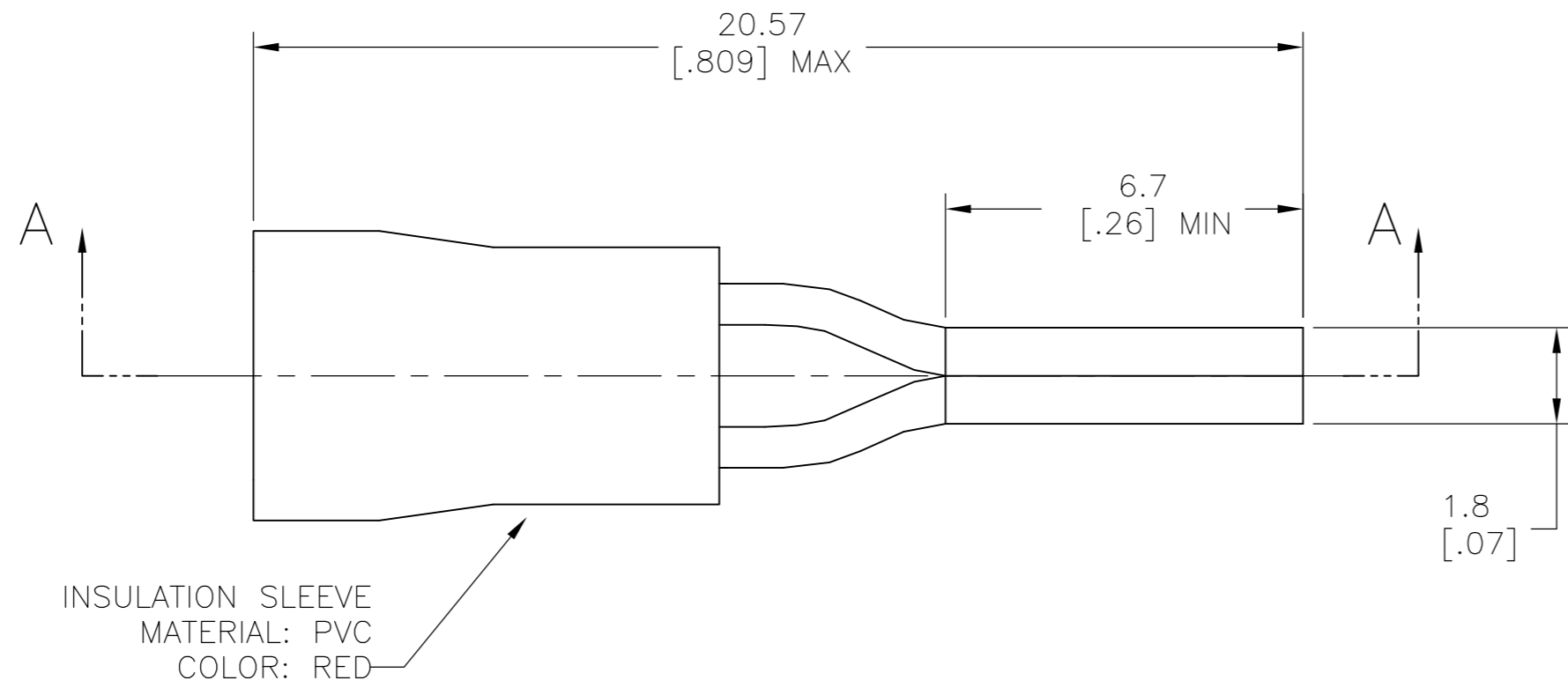


THIS DRAWING IS UNPUBLISHED. RELEASED FOR PUBLICATION
 © COPYRIGHT - By - ALL RIGHTS RESERVED.

LOC	DIST	REVISIONS			
P	LTR	DESCRIPTION	DATE	DWN	APVD
G	14				
	A	REVISED PER ECO-14-003208	18MAR2014	NK	DR



SECTION A-A

- 1 WIRE SIZE IS #22-#16 AWG
- 2 WIRE INSULATION DIA: 2.7 - 3.56[.11-.141]
- 3 MATERIAL THICKNESS IS 0.8[.03]
- 4 DIMENSION APPLIES FROM EDGE OF METAL WIRE BARREL TO END OF PIN
- 5 STAMP AMP 22-16* APPROX AS SHOWN
- 6 MAX RECOMMENDED OPERATING TEMPERATURE 105°C[221°F]

LOOSE PEICE	STANDARD	1000	181630
PACKAGING	LABELLING	QTY RED	PART NO

THIS DRAWING IS A CONTROLLED DOCUMENT.		DWN jr ruth 02FEB06	TE Connectivity	
DIMENSIONS: mm [INCHES]		CHK T MICHELUTTI 02FEB06	NAME TERMINAL, WIRE PIN, PLASTI-GRIP,	
TOLERANCES UNLESS OTHERWISE SPECIFIED:		APVD T MICHELUTTI 02FEB06	PRODUCT SPEC	
0 PLC ± -		APPLICATION SPEC		
1 PLC ± 0.50[.019]		WEIGHT		
2 PLC ± -		SIZE A2		
3 PLC ± -		CAGE CODE 00779		
4 PLC ± -		DRAWING NO C=181630		
ANGLES ± 1°		RESTRICTED TO		
MATERIAL		SCALE 8:1		
FINISH		SHEET 1 of 1		
		REV A		
CUSTOMER DRAWING				

X-ON Electronics

Largest Supplier of Electrical and Electronic Components

Click to view similar products for [Terminals](#) category:

Click to view products by [TE Connectivity](#) manufacturer:

Other Similar products are found below :

[00-054007-01074-6](#) [00-054007-70206-1](#) [00-054007-70210-8](#) [00-054007-70217-7](#) [00-054007-70226-9](#) [00-054007-70228-3](#) [00-054007-70248-1](#) [00-054007-70256-6](#) [00-054007-70301-3](#) [00-054007-70316-7](#) [0-0320562-0](#) [00-054007-49560-4](#) [00-054007-70209-2](#) [00-054007-70225-2](#) [00-054007-70227-6](#) [00-054007-70231-3](#) [00-054007-70241-2](#) [00-054007-70242-9](#) [00-054007-70244-3](#) [00-054007-70246-7](#) [00-054007-70263-4](#) [00-054007-70288-7](#) [00-054007-70290-0](#) [00-054007-70300-6](#) [00-054007-70304-4](#) [01-2065-1-0216](#) [01-2900-1-04412](#) [00581P0075](#) [600TS-10](#) [60205-1](#) [604200-1](#) [605601-1](#) [60598-1-CUT-TAPE](#) [61314-6-C](#) [61810-3](#) [61-S](#) [61-SN](#) [626-0194](#) [62-NBM-A](#) [62-SN](#) [62-SP](#) [63-S](#) [640179-1](#) [M55155/059I03](#) [M55155/079C01](#) [M55155/099H02](#) [M55155/109H01](#) [M55155/109H02](#) [M55155/12XH05](#) [M55155/16XH02](#)