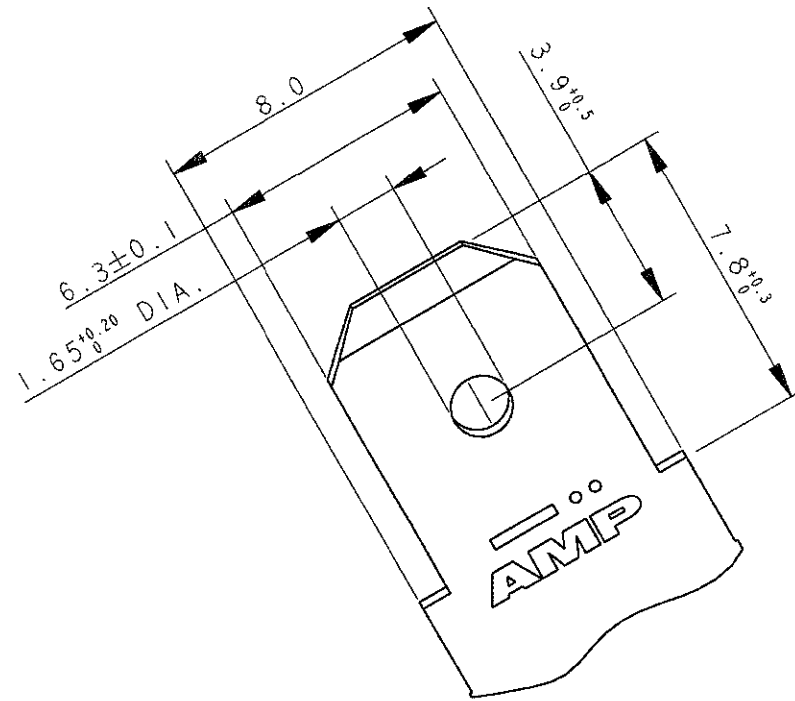
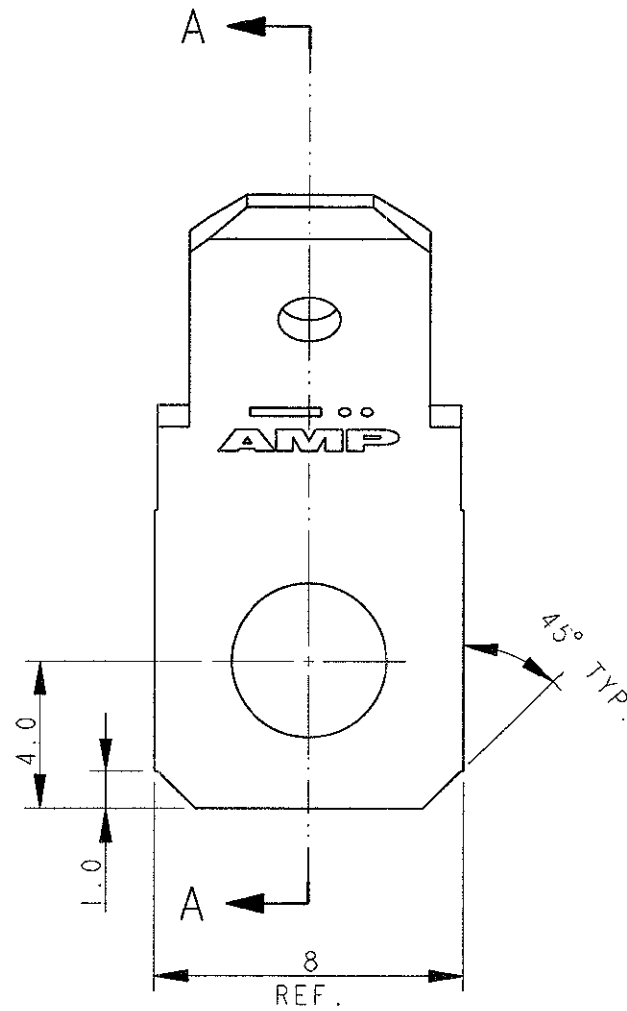
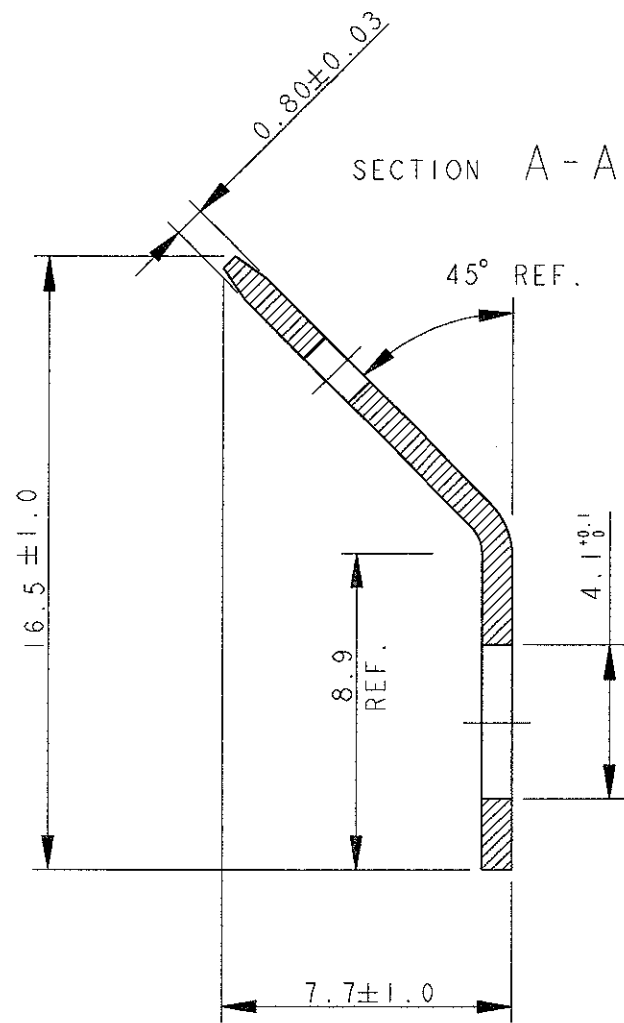


LOC	DIST	REVISIONS					
		P	LTR	DESCRIPTION	DATE	DWN	APVD
1	-	C1	-	REDRAWN, ET00-0108-02	03 MAY 2002	H. Y.	C.T.



STAGNATO (TIN PLATED)	OTTONE (BRASS)	181949-2	C
NUDO (PLAIN)	OTTONE (BRASS)	181949-1	C
FINITURA (FINISH)	MATERIALE (MATERIAL)	PART NO.	REV

THIS DRAWING IS A CONTROLLED DOCUMENT FOR TYCO ELECTRONICS CORPORATION. IT IS SUBJECT TO CHANGE AND THE CONTROLLING ENGINEERING ORGANIZATION SHOULD BE CONTACTED FOR THE LATEST REVISION.

DIMENSIONS: mm	TOLERANCES UNLESS OTHERWISE SPECIFIED:	DWN H. YAALI 31 MAY 2002		AMP ITALIA S.p.A.											
<table border="1"> <tr><td>0 PLC</td><td>±-</td></tr> <tr><td>1 PLC</td><td>±0.3</td></tr> <tr><td>2 PLC</td><td>±-</td></tr> <tr><td>3 PLC</td><td>±-</td></tr> <tr><td>4 PLC</td><td>±-</td></tr> <tr><td>ANGLES</td><td>±2°</td></tr> </table>	0 PLC	±-		1 PLC	±0.3	2 PLC	±-	3 PLC	±-	4 PLC	±-	ANGLES	±2°	FINISH SEE TABLE	CHK C. TARTARI
0 PLC	±-														
1 PLC	±0.3														
2 PLC	±-														
3 PLC	±-														
4 PLC	±-														
ANGLES	±2°														
MATERIAL SEE TABLE	SEE TABLE	APVD -	NAME	FASTON* Conn. .250" sr. TAB CONTACT 45 DEGREE BENT (LOOSE PIECE FORM)											
		PRODUCT SPEC N/A	SIZE	A3											
		APPLICATION SPEC N/A	CAGE CODE	00779											
		WEIGHT 0.8 GR	DRAWING NO	C-181949											
		CUSTOMER DRAWING	RESTRICTED TO	-											
		SCALE 5:1	SHEET 1 OF 1	REV C1											

X-ON Electronics

Largest Supplier of Electrical and Electronic Components

Click to view similar products for [Terminals](#) category:

Click to view products by [TE Connectivity](#) manufacturer:

Other Similar products are found below :

[00-054007-01074-6](#) [00-054007-70206-1](#) [00-054007-70210-8](#) [00-054007-70217-7](#) [00-054007-70226-9](#) [00-054007-70228-3](#) [00-054007-70248-1](#) [00-054007-70256-6](#) [00-054007-70301-3](#) [00-054007-70316-7](#) [00-054007-49560-4](#) [00-054007-70209-2](#) [00-054007-70225-2](#) [00-054007-70227-6](#) [00-054007-70231-3](#) [00-054007-70241-2](#) [00-054007-70242-9](#) [00-054007-70244-3](#) [00-054007-70246-7](#) [00-054007-70263-4](#) [00-054007-70288-7](#) [00-054007-70290-0](#) [00-054007-70300-6](#) [00-054007-70304-4](#) [01-2065-1-0216](#) [01-2900-1-04412](#) [00581P0075](#) [600TS-10](#) [60205-1](#) [604200-1](#) [605601-1](#) [60598-1-CUT-TAPE](#) [61314-6-C](#) [61810-3](#) [61-S](#) [61-SN](#) [626-0194](#) [62-NBM-A](#) [62-SN](#) [62-SP](#) [63-S](#) [640179-1](#) [M55155/059I03](#) [M55155/079C01](#) [M55155/099H02](#) [M55155/109H01](#) [M55155/109H02](#) [M55155/12XH05](#) [M55155/16XH02](#) [M55155/29-5S](#)