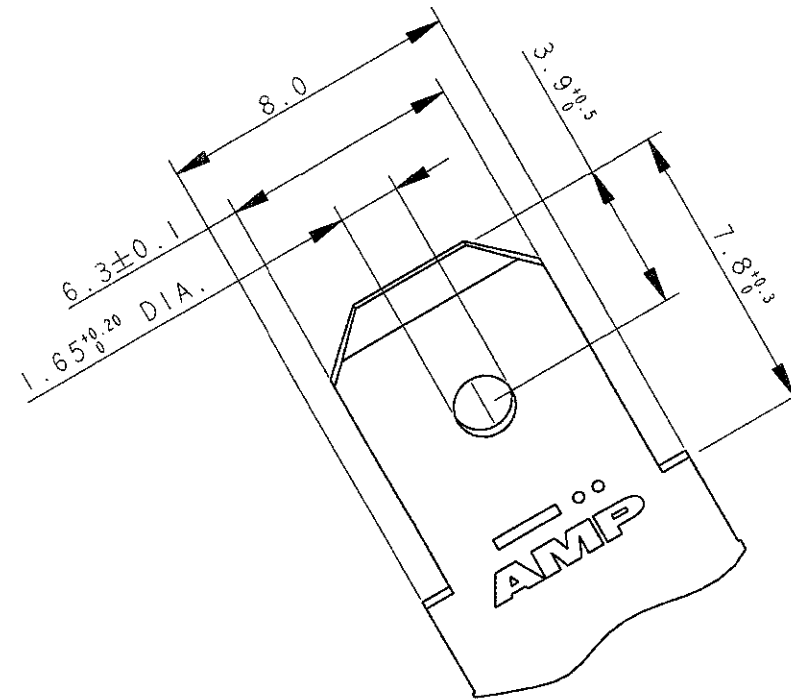
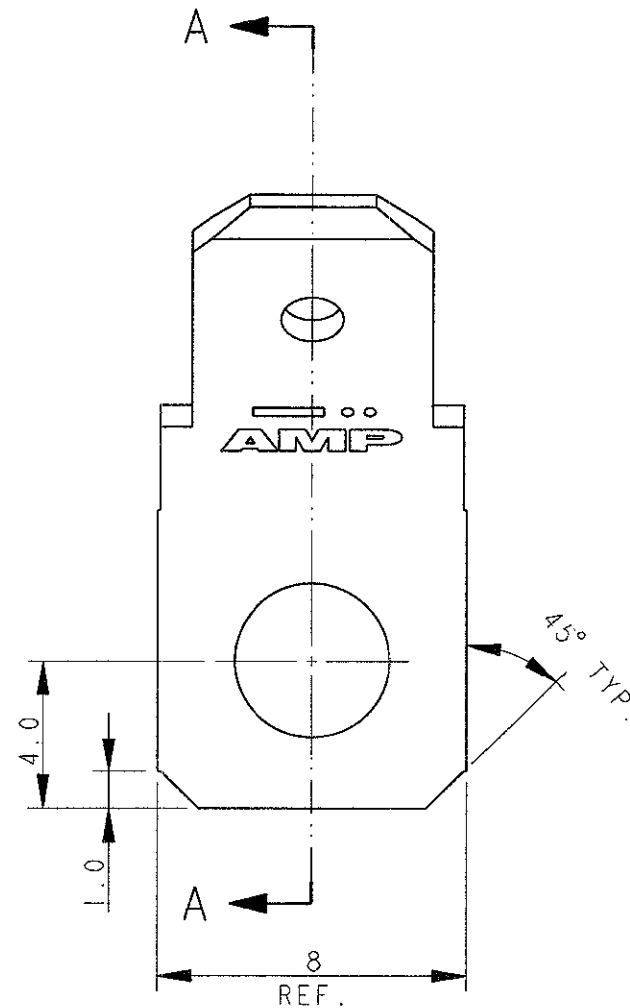
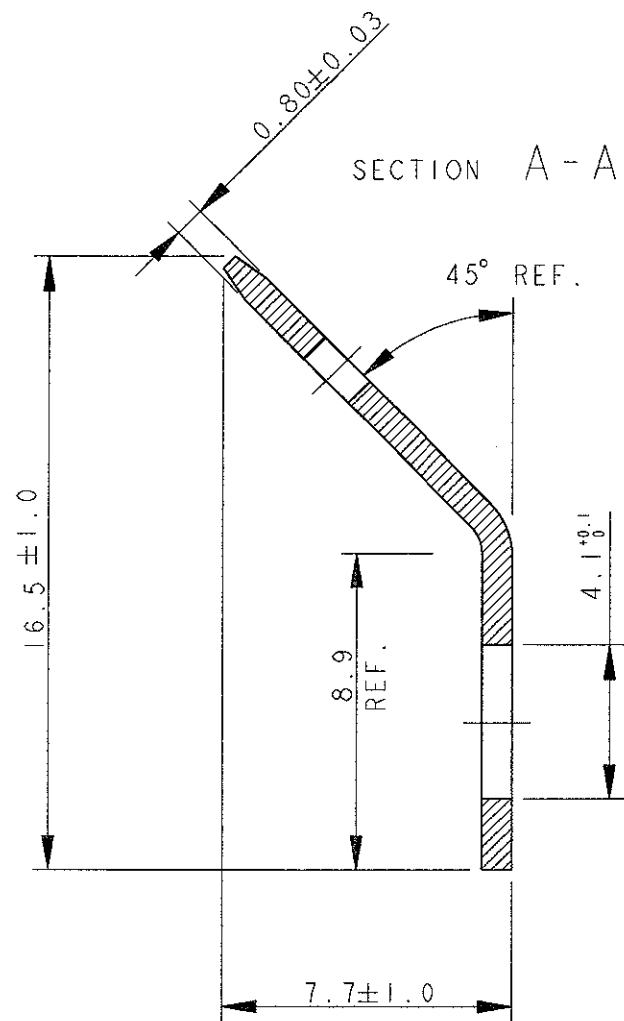


LOC	DIST	REVISIONS					
		P	LTR	DESCRIPTION	DATE	DWN	APVD
1	-	C1		REDRAWN, ET00-0108-02	03 MAY 2002	H. Y.	C.T.



STAGNATO (TIN PLATED)	OTTONE (BRASS)	181949-2	C
NUDO (PLAIN)	OTTONE (BRASS)	181949-1	C
FINITURA (FINISH)	MATERIALE (MATERIAL)	PART NO.	REV

<p>THIS DRAWING IS A CONTROLLED DOCUMENT FOR TYCO ELECTRONICS CORPORATION IT IS SUBJECT TO CHANGE AND THE CONTROLLING ENGINEERING ORGANIZATION SHOULD BE CONTACTED FOR THE LATEST REVISION.</p>		<p>DWN 31 MAY 2002 H. YAALI</p>		<p>tyco AMP ITALIA S.p.A. Electronics C.so F.lli Cervi 15, COLLEGNO (TO)</p>	
<p>DIMENSIONS: mm</p>		<p>TOLERANCES UNLESS OTHERWISE SPECIFIED:</p> <p>0 PLC ±-</p> <p>1 PLC ±0.3</p> <p>2 PLC ±-</p> <p>3 PLC ±-</p> <p>4 PLC ±-</p> <p>ANGLES ±2°</p>		<p>CHK C. TARTARI</p> <p>APVD -</p> <p>NAME</p> <p>PRODUCT SPEC N/A</p> <p>APPLICATION SPEC N/A</p>	
<p>MATERIAL SEE TABLE</p>		<p>FINISH SEE TABLE</p>		<p>FASTON* Conn. .250" sr. TAB CONTACT 45 DEGREE BENT (LOOSE PIECE FORM)</p>	
		<p>WEIGHT 0.8 GR</p>		<p>SIZE A3 CAGE CODE 00779 DRAWING NO. C-181949 RESTRICTED TO -</p>	
<p>CUSTOMER DRAWING</p>				<p>SCALE 5:1 SHEET 1 OF 1 REV C1</p>	

X-ON Electronics

Largest Supplier of Electrical and Electronic Components

Click to view similar products for [Terminals](#) category:

Click to view products by [TE Connectivity](#) manufacturer:

Other Similar products are found below :

[00-054007-01074-6](#) [00-054007-70206-1](#) [00-054007-70210-8](#) [00-054007-70217-7](#) [00-054007-70226-9](#) [00-054007-70228-3](#) [00-054007-70248-1](#) [00-054007-70256-6](#) [00-054007-70301-3](#) [00-054007-70316-7](#) [00-054007-49560-4](#) [00-054007-70209-2](#) [00-054007-70225-2](#) [00-054007-70227-6](#) [00-054007-70231-3](#) [00-054007-70241-2](#) [00-054007-70242-9](#) [00-054007-70244-3](#) [00-054007-70246-7](#) [00-054007-70263-4](#) [00-054007-70288-7](#) [00-054007-70290-0](#) [00-054007-70300-6](#) [00-054007-70304-4](#) [01-2065-1-0216](#) [01-2900-1-04412](#) [00581P0075](#) [600TS-10](#) [60205-1](#) [604200-1](#) [605601-1](#) [60598-1-CUT-TAPE](#) [61314-6-C](#) [61810-3](#) [61-S](#) [61-SN](#) [626-0194](#) [62-NBM-A](#) [62-SN](#) [62-SP](#) [63-S](#) [640179-1](#) [M55155/059I03](#) [M55155/079C01](#) [M55155/099H02](#) [M55155/109H01](#) [M55155/109H02](#) [M55155/12XH05](#) [M55155/16XH02](#) [M55155/29-5S](#)