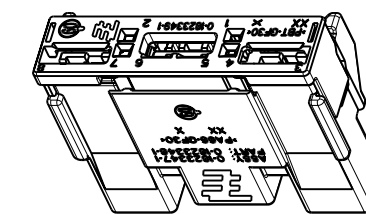
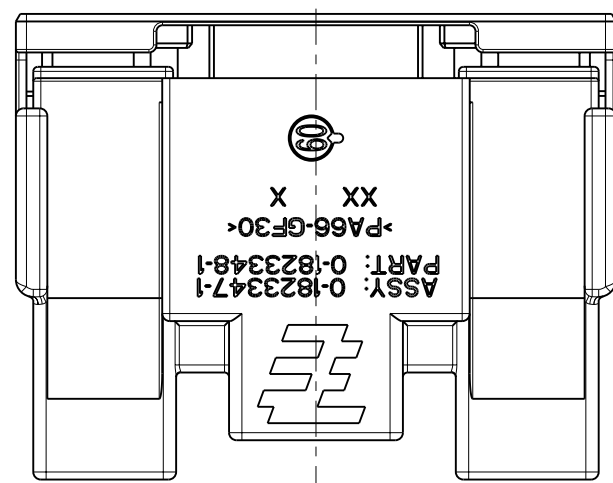
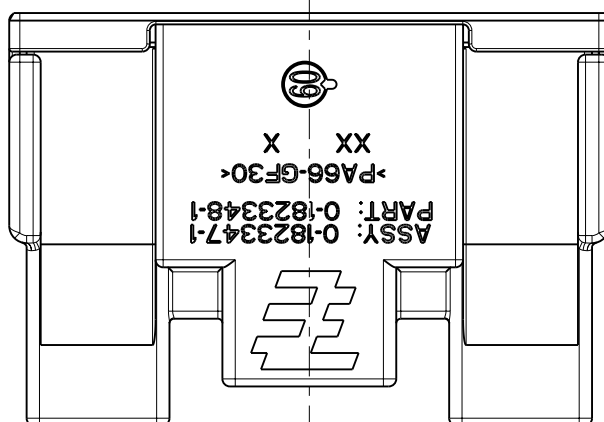
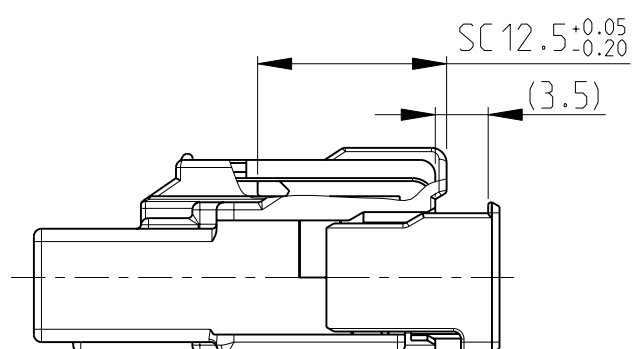
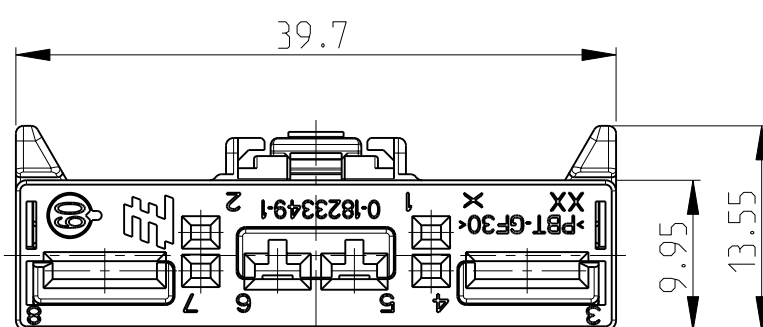


LOC	DIST	REVISIONS					
		P	LTR	DESCRIPTION	DATE	DWN	APVD
A1	-		B	ECR-10-004106	24FEB2010	GP	GM
			B1	ECR-11-024869	08DEC2011	GP	GM

SPACER IN END POSITION
Spacer in Endraststellung

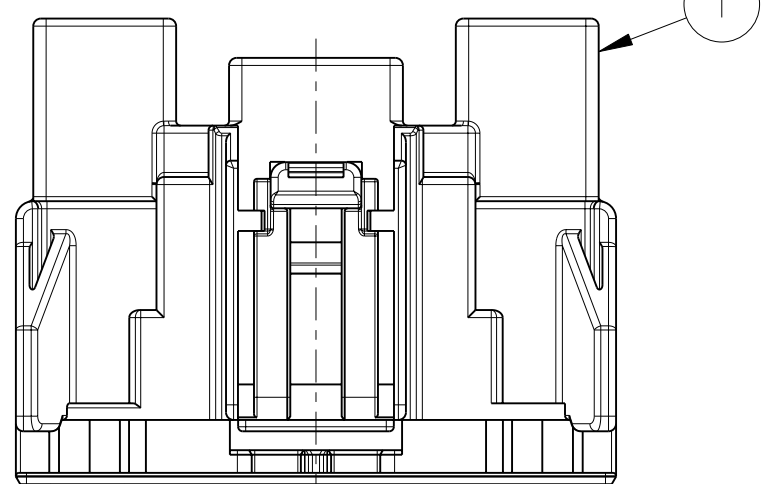


1:1

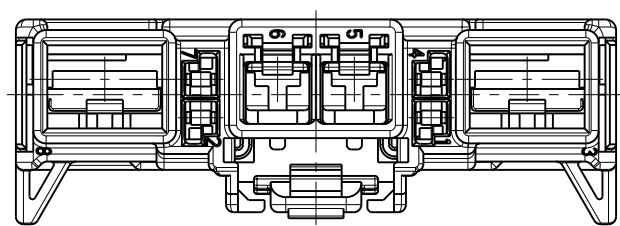


FORD-PN	TERMINALS TE-PN Kontakte TE-PN	FINISH Oberflaeche	WIRE SIZE Drahtquerschnitt	NOTES Bemerkungen
XW4T-14474-TA	YAZAKI PART	TIN	6.00mm ²	6.3mm
97BG-14474-CCA	YAZAKI PART	TIN	4.00mm ²	
97BG-14474-CBA	YAZAKI PART	TIN	1.50-2.50mm ²	
97BG-14474-CAA	YAZAKI PART	TIN	0.50-1.00mm ²	2.8mm
1F1T-14474-DA	0-1326030-4	TIN	4.00mm ²	
1F1T-14474-CA	0-1326030-3	TIN	1.50-2.50mm ²	
1F1T-14474-BA	0-1326030-2	TIN	0.50-1.00mm ²	GET 2ND GEN
1F1T-14474-LA	0-1326030-1	TIN	0.35mm ²	
9U5T-14474-MA	0-1719958-1	TIN	0.50-0.75mm ²	
9U5T-14474-LA	0-1719957-1	TIN	0.22-0.35mm ²	

- NOTES:
Bemerkungen:
- 1 DELIVERY CONDITION: SPACER IN PRE LOCKED POSITION
Auslieferungszustand: Spacer in Vorraststellung
 - 2 COUNTERPART ACCORDING SPEC. 114-18979
Gegenstecker nach Spec. 114-18979
 - SC SIGNIFICANT CHARACTERISTIC
Significantes Merkmal



SPACER IN PRE LOCKED POSITION
Spacer in Vorraststellung



QTY REQD PER ASSY	PARTS LIST
-	1x 8POS. HYBRID SPACER A RED SIMILAR RAL3000 2
-	1x 8POS. HYBRID RECEPTACLE HOUSING B BLACK SIMILAR RAL9011 1
0-1823347-1	DESCRIPTION REV COLOUR ITEM NO
REVISION OF EACH ASSY NO (WHEN BLANK, USE DWG REVISION)	

THIS DRAWING IS A CONTROLLED DOCUMENT.

DWN G.PUCKEL 08DEC2008
CHK K.ROTH 08DEC2008
APVD G.MUMPER 09DEC2008

PRODUCT SPEC
APPLICATION SPEC 114-94008
WEIGHT -

STE TE Connectivity

NAME 8POS. HYBRID RECEPTACLE HOUSING ASSY
4 x 0.64mm, 2 x 2.8mm, 2 x 6.3mm

SIZE A3 CAGE CODE 00779 DRAWING NO ©-1823347 RESTRICTED TO -

CUSTOMER DRAWING SCALE 2:1 SHEET 1 OF 1 REV B1

DIMENSIONS:	TOLERANCES UNLESS OTHERWISE SPECIFIED:
mm	
0 PLC	±0.50
1 PLC	±0.50
2 PLC	±0.30
3 PLC	±
4 PLC	±
ANGLES	±1°
MATERIAL -	FINISH -

X-ON Electronics

Largest Supplier of Electrical and Electronic Components

Click to view similar products for [Automotive Connectors](#) category:

Click to view products by [TE Connectivity](#) manufacturer:

Other Similar products are found below :

[003-018-000](#) [60403001](#) [60993906-B](#) [M902-2131](#) [M902-2161](#) [M902-2344](#) [72.330.1035.1](#) [73.353.4028.0](#) [F119300-B](#) [F166900](#) [F258300-B](#)
[F358300-B](#) [F407400](#) [F444110](#) [F487000](#) [F509500B-B](#) [827153-1](#) [8N1515-32-24P](#) [9-1326729-8](#) [925474-1](#) [928905-1](#) [964562-4](#) [968782-1](#)
[GT17SA-8DS-HU](#) [98891-1012](#) [98947-1016](#) [12004147](#) [12004475-L](#) [12010290](#) [12010309-B](#) [12015454](#) [12020219-B](#) [12041318-B](#) [12052225-](#)
[L](#) [12052466](#) [12064869](#) [12004327-B](#) [12015308](#) [12015384](#) [12015909](#) [1-21030-1](#) [12041254](#) [12041318](#) [12047946-B](#) [12047957](#) [12047957-L](#)
[12059473](#) [12066261](#) [12110546](#) [12110546-B](#)