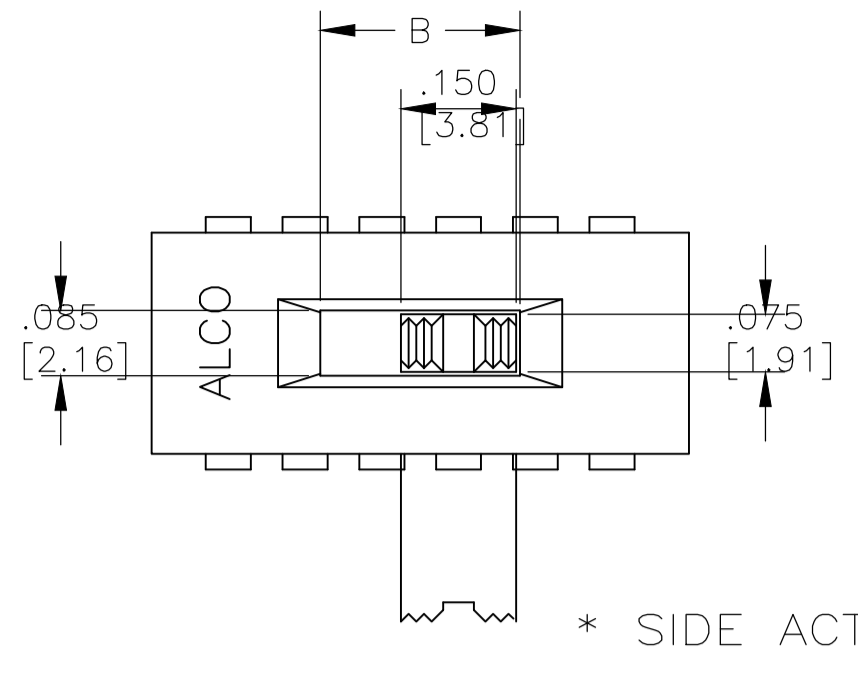
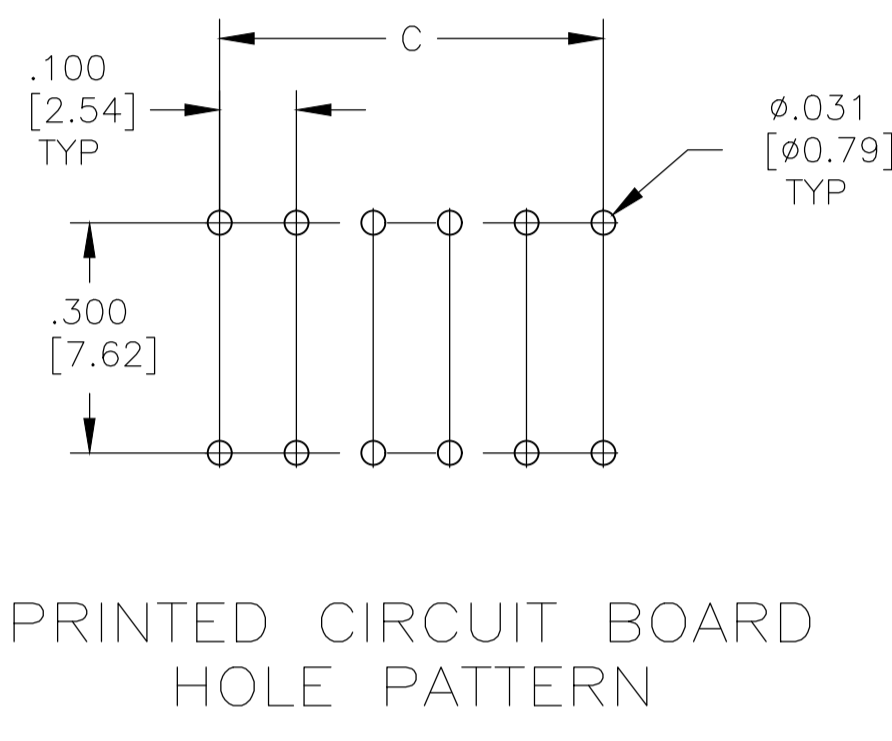
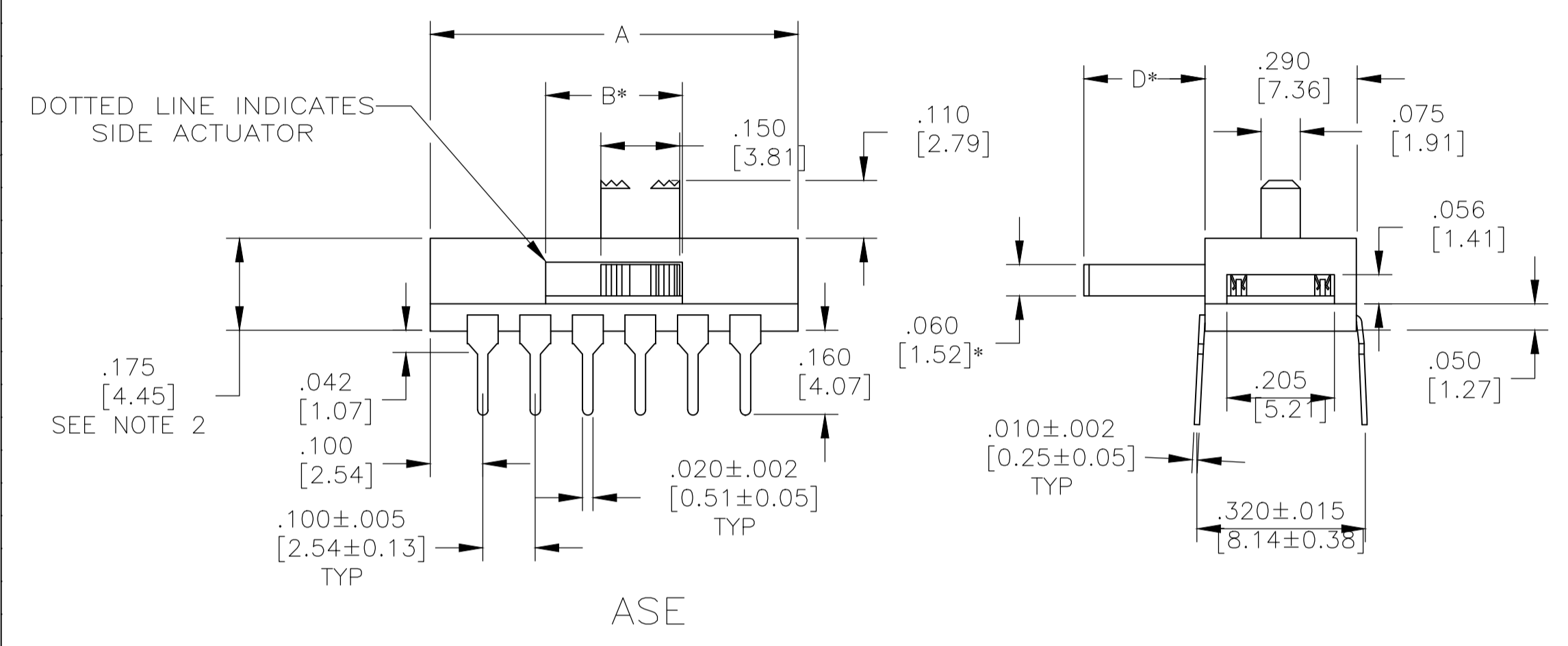


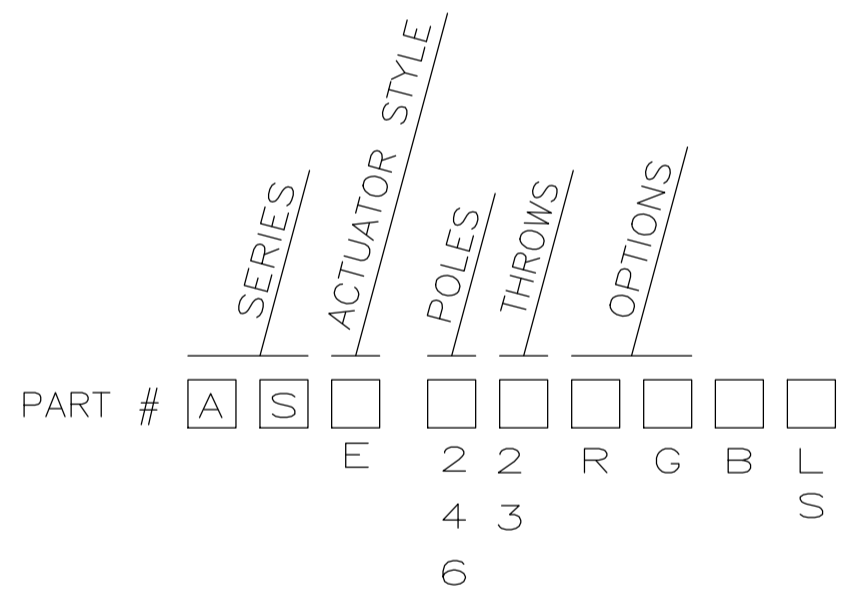
REVISIONS					
#	LR	DESCRIPTION	DATE	OWN	APPD
B4	REVISED PER ECO-11-004587		11MAR11	RK	HMR
B5	REVISED PER ECO-16-018096		25MAY2017	RK	PO



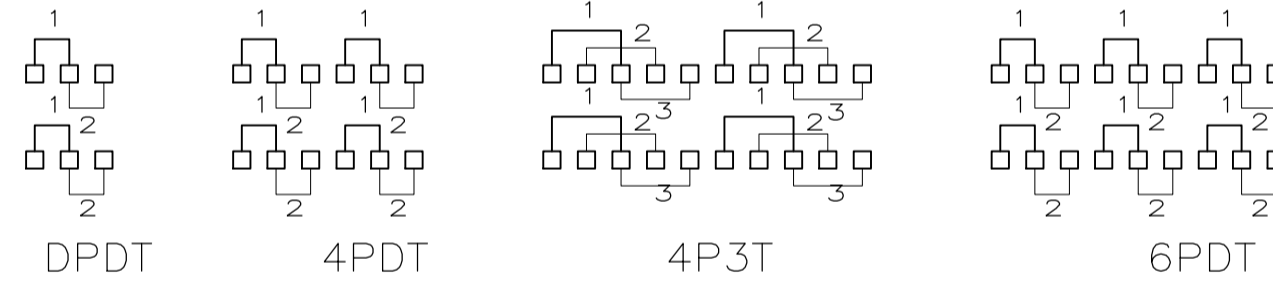
\* SIDE ACTUATOR ONLY.



PRINTED CIRCUIT BOARD HOLE PATTERN



E = EXTENDED ACTUATOR  
 R = SIDE ACTUATOR  
 G = GOLD CONTACTS  
 B = BLACK ACTUATOR  
 L = GULL WING STYLE SURFACE MOUNT  
 S = J-LEAD STYLE SURFACE MOUNT



△	0.230 [5.82]	0.800 [20.32]	0.260 [6.60]	1.000 [25.40]	SILVER	SMT	SIDE	6PDT	ASE62RS04	4-1825010-8
△	0.230 [5.82]	0.800 [20.32]	0.260 [6.60]	1.000 [25.40]	GOLD	SMT	SIDE	6PDT	ASE62RGS04	4-1825010-7
	0.230 [5.82]	0.800 [20.32]	0.260 [6.60]	1.000 [25.40]	SILVER	SMT	SIDE	6PDT	ASE62RL04	4-1825010-6
△	0.230 [5.82]	0.800 [20.32]	0.260 [6.60]	1.000 [25.40]	GOLD	SMT	SIDE	6PDT	ASE62RGL04	4-1825010-5
	0.230 [5.82]	0.800 [20.32]	0.260 [6.60]	1.000 [25.40]	SILVER	SMT	TOP	6PDT	ASE62S04	4-1825010-4
△	0.230 [5.82]	0.800 [20.32]	0.260 [6.60]	1.000 [25.40]	GOLD	SMT	TOP	6PDT	ASE62GS04	4-1825010-3
	0.230 [5.82]	0.800 [20.32]	0.260 [6.60]	1.000 [25.40]	SILVER	SMT	TOP	6PDT	ASE62L04	4-1825010-2
	0.230 [5.82]	0.800 [20.32]	0.260 [6.60]	1.000 [25.40]	GOLD	SMT	TOP	6PDT	ASE62GL04	4-1825010-1
	0.230 [5.82]	0.800 [20.32]	0.260 [6.60]	1.000 [25.40]	GOLD	THRU-HOLE	SIDE	6PDT	ASE62RG04	4-1825010-0
	0.230 [5.82]	0.800 [20.32]	0.260 [6.60]	1.000 [25.40]	SILVER	THRU-HOLE	SIDE	6PDT	ASE62R04	3-1825010-9
	0.230 [5.82]	0.800 [20.32]	0.260 [6.60]	1.000 [25.40]	GOLD	THRU-HOLE	TOP	6PDT	ASE62G04	3-1825010-8
	0.230 [5.82]	0.800 [20.32]	0.260 [6.60]	1.000 [25.40]	SILVER	THRU-HOLE	TOP	6PDT	ASE6204	3-1825010-7
	0.230 [5.82]	0.900 [22.86]	0.360 [9.14]	1.100 [27.94]	SILVER	SMT	SIDE	4P3T	ASE43RS04	3-1825010-6
△	0.230 [5.82]	0.900 [22.86]	0.360 [9.14]	1.100 [27.94]	GOLD	SMT	SIDE	4P3T	ASE43RGS04	3-1825010-5
△	0.230 [5.82]	0.900 [22.86]	0.360 [9.14]	1.100 [27.94]	SILVER	SMT	SIDE	4P3T	ASE43RL04	3-1825010-4
△	0.230 [5.82]	0.900 [22.86]	0.360 [9.14]	1.100 [27.94]	GOLD	SMT	SIDE	4P3T	ASE43RGL04	3-1825010-3
△	0.230 [5.82]	0.900 [22.86]	0.360 [9.14]	1.100 [27.94]	SILVER	SMT	TOP	4P3T	ASE43S04	3-1825010-2
△	0.230 [5.82]	0.900 [22.86]	0.360 [9.14]	1.100 [27.94]	GOLD	SMT	TOP	4P3T	ASE43GS04	3-1825010-1
△	0.230 [5.82]	0.900 [22.86]	0.360 [9.14]	1.100 [27.94]	SILVER	SMT	TOP	4P3T	ASE43L04	3-1825010-0
△	0.230 [5.82]	0.900 [22.86]	0.360 [9.14]	1.100 [27.94]	GOLD	SMT	TOP	4P3T	ASE43G04	2-1825010-9
△	0.230 [5.82]	0.900 [22.86]	0.360 [9.14]	1.100 [27.94]	GOLD	THRU-HOLE	SIDE	4P3T	ASE43RG04	2-1825010-8
	0.230 [5.82]	0.900 [22.86]	0.360 [9.14]	1.100 [27.94]	SILVER	THRU-HOLE	SIDE	4P3T	ASE43R04	2-1825010-7
	0.230 [5.82]	0.900 [22.86]	0.360 [9.14]	1.100 [27.94]	GOLD	THRU-HOLE	TOP	4P3T	ASE43G04	2-1825010-6
	0.230 [5.82]	0.900 [22.86]	0.360 [9.14]	1.100 [27.94]	SILVER	THRU-HOLE	TOP	4P3T	ASE4304	2-1825010-5
△	0.230 [5.82]	0.500 [12.70]	0.260 [6.60]	0.700 [17.78]	SILVER	SMT	SIDE	4PDT	ASE42RS04	2-1825010-4
△	0.230 [5.82]	0.500 [12.70]	0.260 [6.60]	0.700 [17.78]	GOLD	SMT	SIDE	4PDT	ASE42RGS04	2-1825010-3
	0.230 [5.82]	0.500 [12.70]	0.260 [6.60]	0.700 [17.78]	SILVER	SMT	SIDE	4PDT	ASE42RL04	2-1825010-2
	0.230 [5.82]	0.500 [12.70]	0.260 [6.60]	0.700 [17.78]	GOLD	SMT	SIDE	4PDT	ASE42RGL04	2-1825010-1
	0.230 [5.82]	0.500 [12.70]	0.260 [6.60]	0.700 [17.78]	SILVER	SMT	TOP	4PDT	ASE42S04	2-1825010-0
△	0.230 [5.82]	0.500 [12.70]	0.260 [6.60]	0.700 [17.78]	GOLD	SMT	TOP	4PDT	ASE42GS04	1-1825010-9
	0.230 [5.82]	0.500 [12.70]	0.260 [6.60]	0.700 [17.78]	SILVER	SMT	TOP	4PDT	ASE42L04	1-1825010-8
	0.230 [5.82]	0.500 [12.70]	0.260 [6.60]	0.700 [17.78]	GOLD	SMT	TOP	4PDT	ASE42G04	1-1825010-7
	0.230 [5.82]	0.500 [12.70]	0.260 [6.60]	0.700 [17.78]	GOLD	THRU-HOLE	SIDE	4PDT	ASE42RG04	1-1825010-6
△	0.230 [5.82]	0.500 [12.70]	0.260 [6.60]	0.700 [17.78]	SILVER	THRU-HOLE	SIDE	4PDT	ASE42R04	1-1825010-5
	0.230 [5.82]	0.500 [12.70]	0.260 [6.60]	0.700 [17.78]	GOLD	THRU-HOLE	TOP	4PDT	ASE42G04	1-1825010-4
	0.230 [5.82]	0.500 [12.70]	0.260 [6.60]	0.700 [17.78]	SILVER	THRU-HOLE	TOP	4PDT	ASE4204	1-1825010-3
△	0.105 [2.67]	0.200 [5.08]	0.260 [6.60]	0.400 [10.16]	SILVER	SMT	SIDE	DPDT	ASE22RS04	1-1825010-2
	0.105 [2.67]	0.200 [5.08]	0.260 [6.60]	0.400 [10.16]	GOLD	SMT	SIDE	DPDT	ASE22RGS04	1-1825010-1
	0.105 [2.67]	0.200 [5.08]	0.260 [6.60]	0.400 [10.16]	SILVER	SMT	SIDE	DPDT	ASE22RL04	1-1825010-0
	0.105 [2.67]	0.200 [5.08]	0.260 [6.60]	0.400 [10.16]	GOLD	SMT	SIDE	DPDT	ASE22RGL04	1825010-9
△	0.105 [2.67]	0.200 [5.08]	0.260 [6.60]	0.400 [10.16]	SILVER	SMT	TOP	DPDT	ASE22S04	1825010-8
	0.105 [2.67]	0.200 [5.08]	0.260 [6.60]	0.400 [10.16]	GOLD	SMT	TOP	DPDT	ASE22GS04	1825010-7
	0.105 [2.67]	0.200 [5.08]	0.260 [6.60]	0.400 [10.16]	SILVER	SMT	TOP	DPDT	ASE22L04	1825010-6
	0.105 [2.67]	0.200 [5.08]	0.260 [6.60]	0.400 [10.16]	GOLD	SMT	TOP	DPDT	ASE22GL04	1825010-5
	0.105 [2.67]	0.200 [5.08]	0.260 [6.60]	0.400 [10.16]	GOLD	THRU-HOLE	SIDE	DPDT	ASE22RG04	1825010-4
	0.105 [2.67]	0.200 [5.08]	0.260 [6.60]	0.400 [10.16]	SILVER	THRU-HOLE	SIDE	DPDT	ASE22R04	1825010-3
	0.105 [2.67]	0.200 [5.08]	0.260 [6.60]	0.400 [10.16]	GOLD	THRU-HOLE	TOP	DPDT	ASE22G04	1825010-2
	0.105 [2.67]	0.200 [5.08]	0.260 [6.60]	0.400 [10.16]	SILVER	THRU-HOLE	TOP	DPDT	ASE2204	1825010-1

SPECIFICATIONS:

MATERIALS:  
 BASE/COVER: PCT UL94V-0, BLACK.  
 ACTUATOR: NYLON PA46 UL94V-0 NATURAL.  
 MOVABLE CONTACT: COPPER ALLOY, SILVER OR GOLD OVER NICKEL.  
 FIXED CONTACT/TERMINAL: COPPER ALLOY, SILVER OR GOLD OVER NICKEL.  
 TERMINAL-COPPER ALLOY TIN OVER NICKEL.  
 PACKAGING: 22" ANTI-STATIC TUBE.

ELECTRICAL:  
 CONTACT RATING: SILVER: 300 MILLIAMPS @ 115 VAC.  
 GOLD: 0.4 VA 20 VDC.  
 CONTACT RESISTANCE: INITIAL 40 MILLIOHMS MAX.  
 INSULATION RESISTANCE: 1000 MEGOHMS MAX.  
 DIELECTRIC STRENGTH: 600 VOLTS RMS AT SEA LEVEL.  
 LIFE EXPECTANCY: 15,000 CYCLES MIN.

ENVIRONMENTAL:  
 OPERATING TEMPERATURE: -40°F TO +176°C TO +80°C).  
 PROCESS CLEANING: WILL WITHSTAND AQUEOUS OR SOLVENT CLEANING PROCESSES.  
 SOLDER HEAT RESISTANCE PER 109-202, COND B(THRU-HOLE) & 109-201, COND B(SMT)  
 SOLDERABILITY PER EIA 364-52 CLASS 2 CATEGORY 1

NOTES:  
 1. ALL MATERIAL AND FINISHES SHALL COMPLY WITH EU DIRECTIVE 2002/95/EC OF 27JAN2003 (ROHS)

△ STANDARD PRODUCT (AFTER WELD) HEIGHT IS ALLOWED UP TO .180 IN. ALL SWITCH "SPECIAL" MUST MAINTAIN .178 MAX. (AFTER WELD) HEIGHT

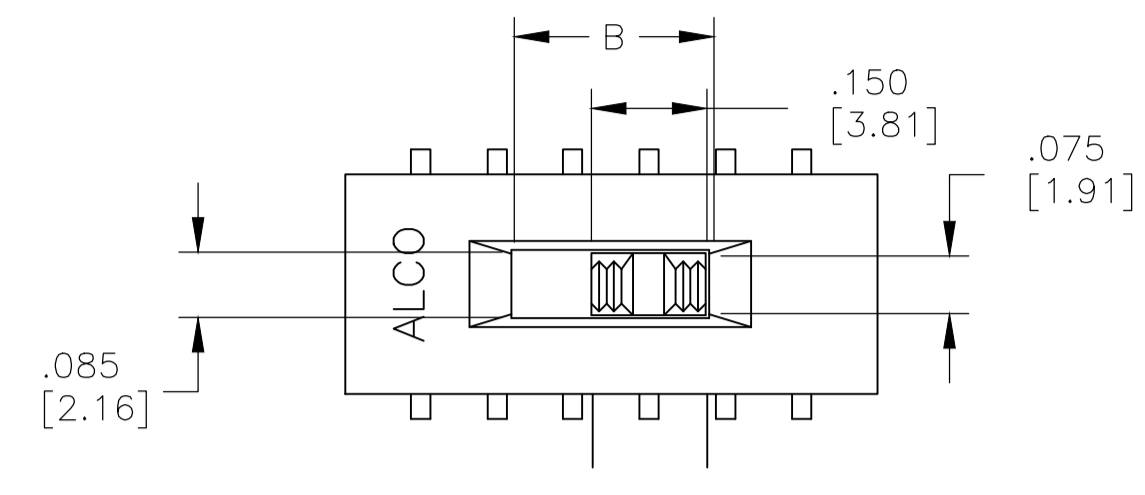
△ OBSOLETE

THIS DRAWING IS A CONTROLLED DOCUMENT.

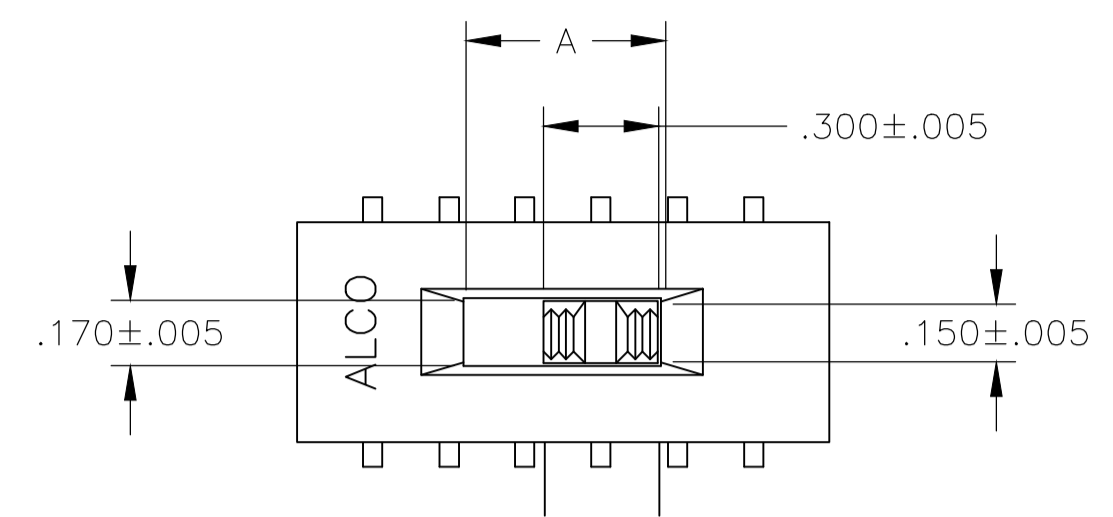
DIMENSIONS: INCHES [mm]	TOLERANCES UNLESS OTHERWISE SPECIFIED:	DWG: B.S. VISWESWARA 15FEB05	CHK: M.S. SARVER 15FEB05	APVD: M.S. SARVER 15FEB05	NAME: M.S. SARVER	PRODUCT SPEC: SLIDE SWITCH ASE/ASF, AUTO-INSERTABLE, THRU-HOLE AND SURFACE MOUNT
0 PLC ± -	1 PLC ± -	2 PLC ± -	3 PLC ± .010(0.25)	4 PLC ± -	ANGLES ± 1'	APPLICATION SPEC: -
MATERIAL: SEE SPECIFICATIONS	FINISH: SEE SPECIFICATIONS	WEIGHT: -	SIZE: A1	CAGE CODE: 00779	DRAWING NO: 1825010	RESTRICTED TO: -
CUSTOMER DRAWING			SCALE: 4:1	SHEET: 1 OF 2	REV: B5	

STE TE Connectivity

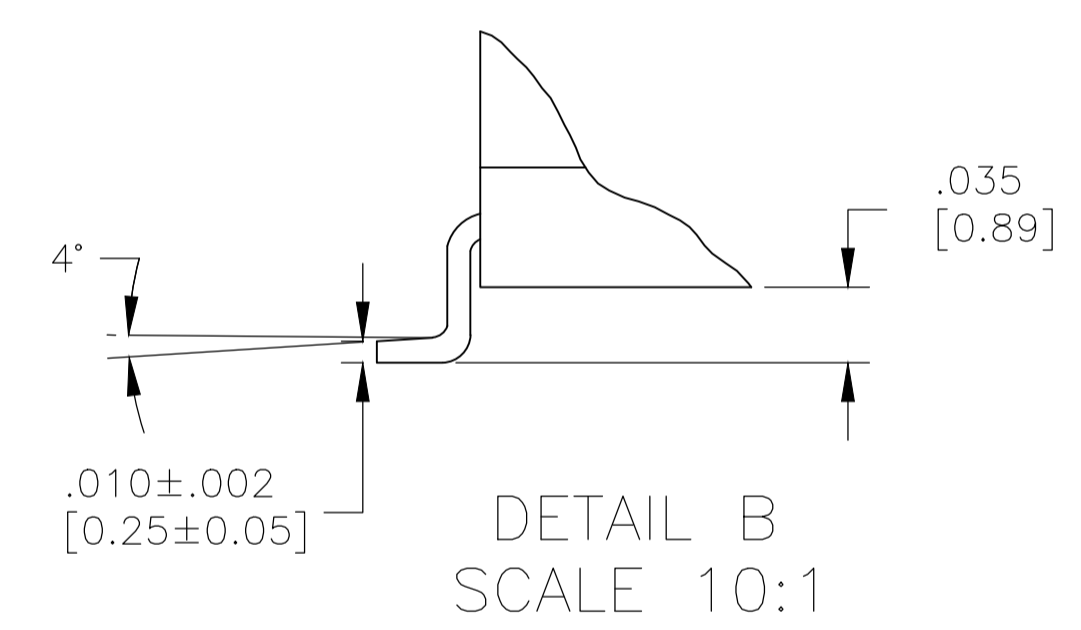
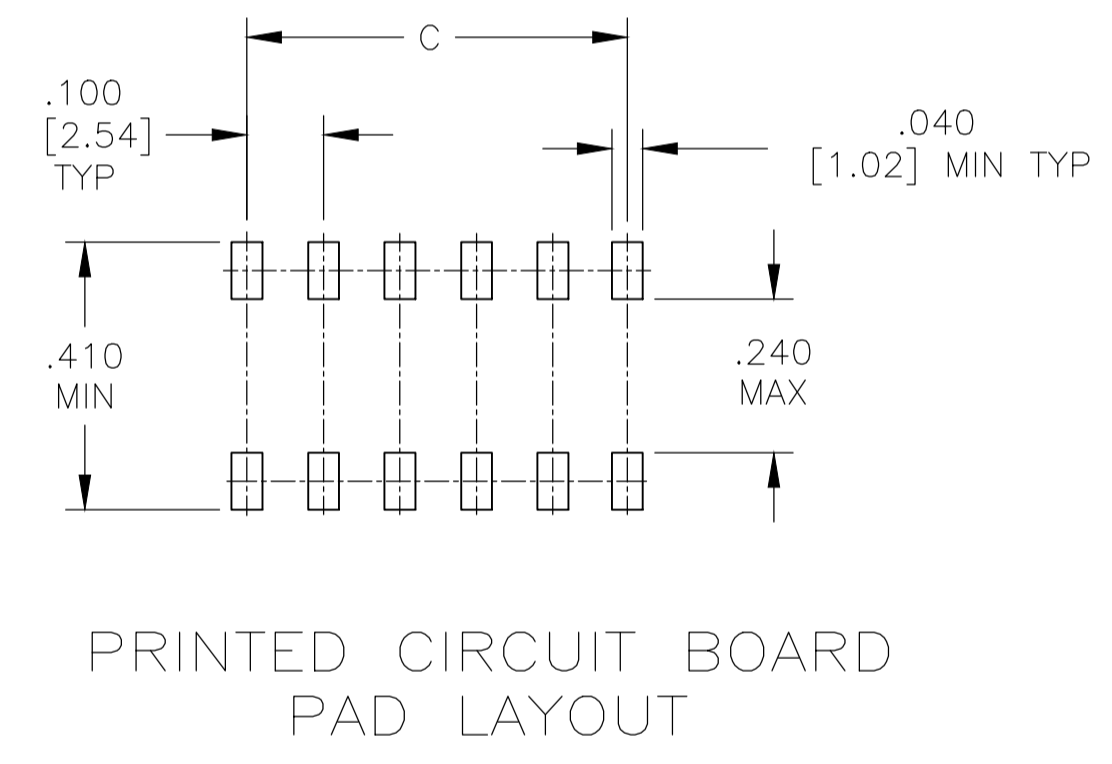
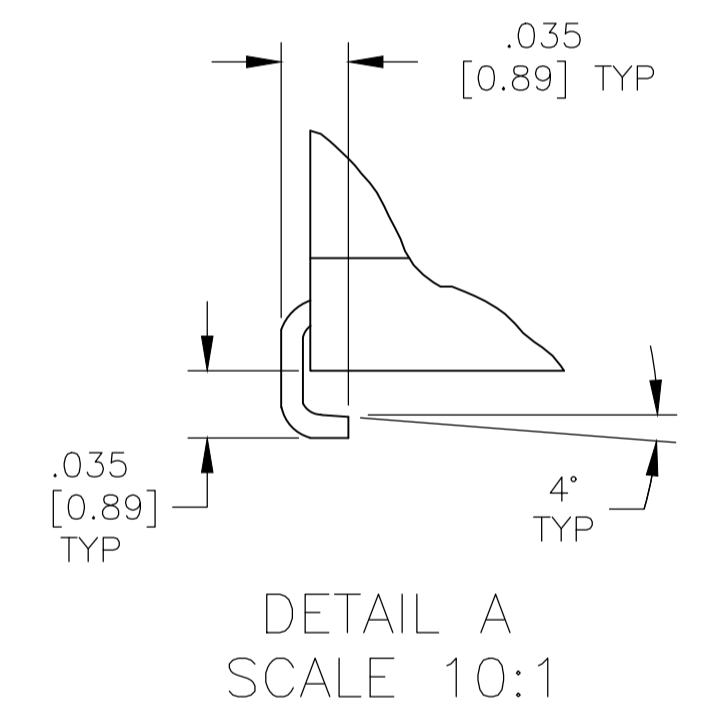
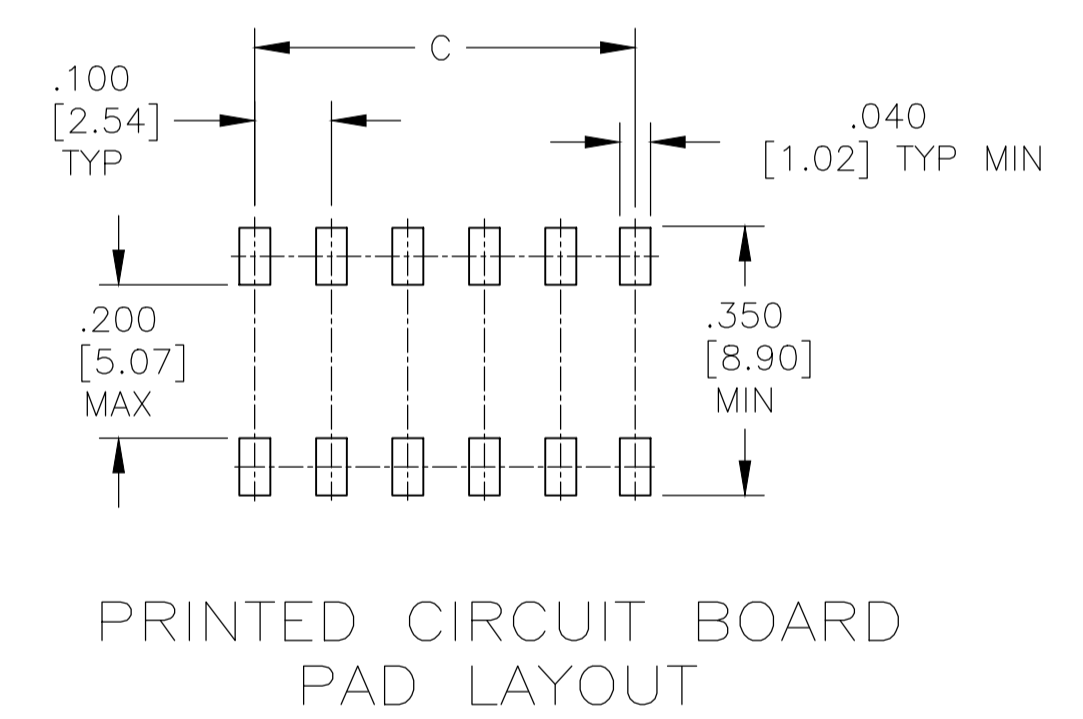
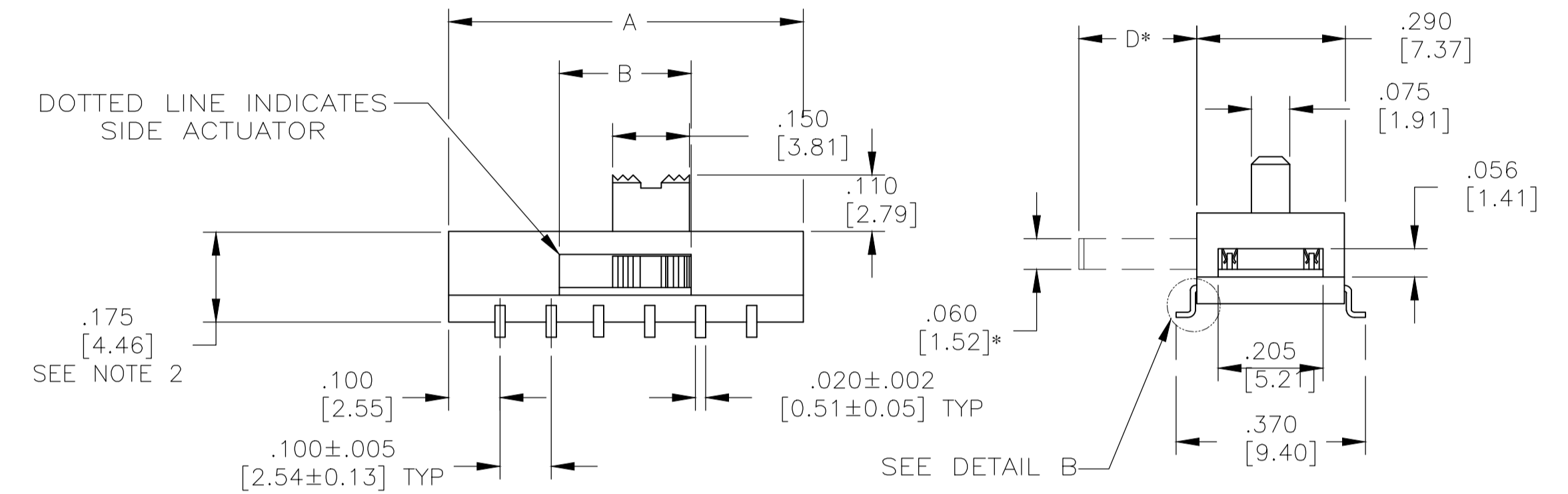
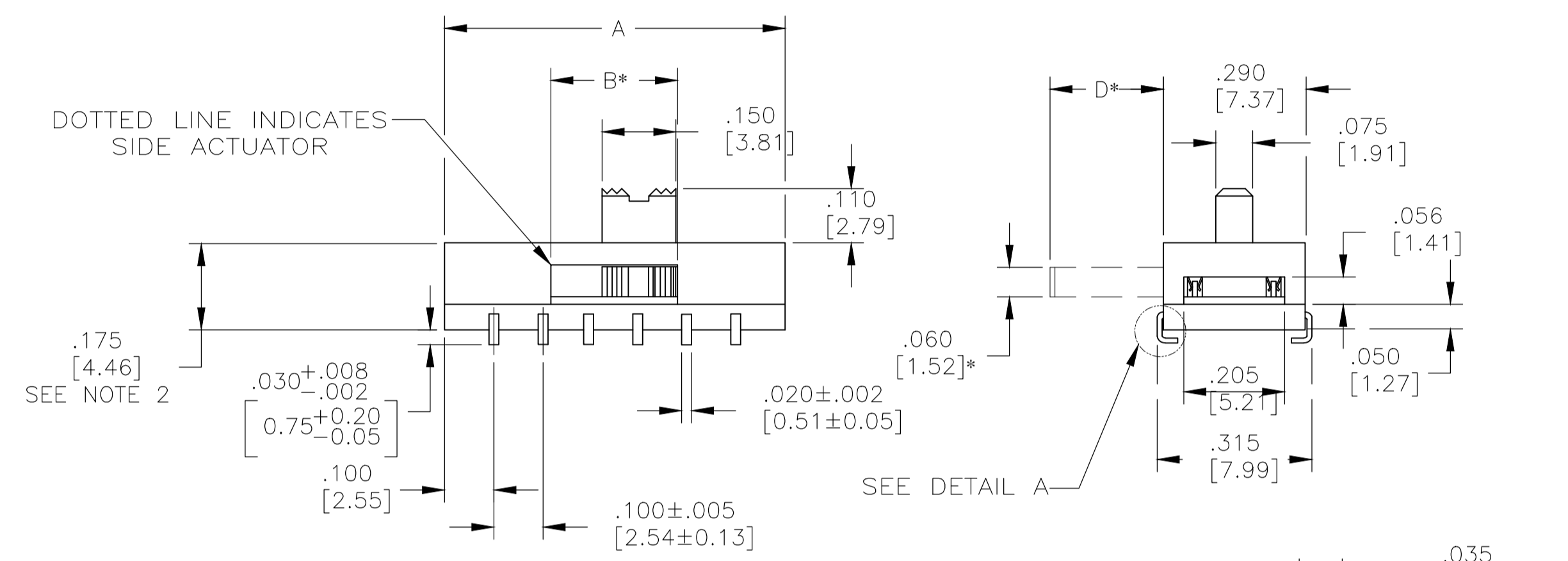
REVISIONS				
P	LYR	DESCRIPTION	DATE	APPD
-	-	SEE SHEET 1	-	-



\* SIDE ACTUATOR ONLY.



\* SIDE ACTUATOR ONLY.



"S" J-LEAD TYPE SURFACE MOUNT

"L" GULL WING TYPE SURFACE MOUNT

THIS DRAWING IS A CONTROLLED DOCUMENT.		DIN B.S.VISWESWARA 15FEB05	TE Connectivity	
DIMENSIONS: INCHES [mm]		CHK M.S.SARVER 15FEB05		
TOLERANCES UNLESS OTHERWISE SPECIFIED:		APPD M.S.SARVER 15FEB05	NAME SLIDE SWITCH ASE/ASF, AUTO-INSERTABLE, THRU-HOLE AND SURFACE MOUNT	
<ul style="list-style-type: none"> <li>0 PLC ± -</li> <li>1 PLC ± -</li> <li>2 PLC ± -</li> <li>3 PLC ± .010</li> <li>4 PLC ± - ± 1°</li> </ul>		PRODUCT SPEC	RESTRICTED TO	
MATERIAL SEE SHEET 1		FINISH SEE SHEET 1	WEIGHT A1	SCALE 4:1
CUSTOMER DRAWING		DRAWING NO. 00779	REV B5	SHEET 2 OF 2

## X-ON Electronics

Largest Supplier of Electrical and Electronic Components

*Click to view similar products for [Slide Switches](#) category:*

*Click to view products by [TE Connectivity](#) manufacturer:*

Other Similar products are found below :

[6-1437581-1](#) [M43R](#) [MHS123K15D](#) [MHS133K](#) [MHSS1104A](#) [MMD](#) [GH49S010001](#) [MSS12A](#) [EPS1PC1](#) [1825074-1](#) [1825160-3](#) [1825167-2](#)  
[1825289-7](#) [K232CB](#) [25139NLDB](#) [25449NAH](#) [SLB1240R45](#) [1825078-1](#) [1825080-4](#) [1825269-1](#) [1825270-2](#) [STS141RA04](#) [T2215BEN506](#)  
[GH46P000001](#) [GH46W000001](#) [GH49P010001](#) [25339NA](#) [M42A](#) [TG36P000000](#) [TG36P000050](#) [AYZ0202AG](#) [47227LFE](#) [49331L](#) [50208L](#)  
[L203091MS02Q](#) [4-1437581-7](#) [X2225CR-437W](#) [49329L](#) [1101M1S3ZB8E2](#) [1-1437581-1](#) [MSS2225G04](#) [TG39W000000](#) [1825075-1](#)  
[MSS42G](#) [TG36WS80065](#) [T105S1CWZBE](#) [SLB124145](#) [SLB1280R5](#) [SLB1340R45](#) [25136NLDB](#)