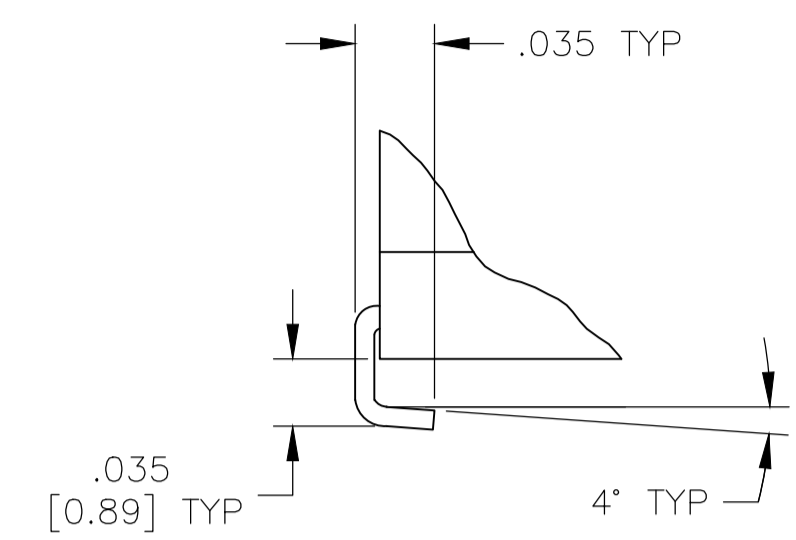
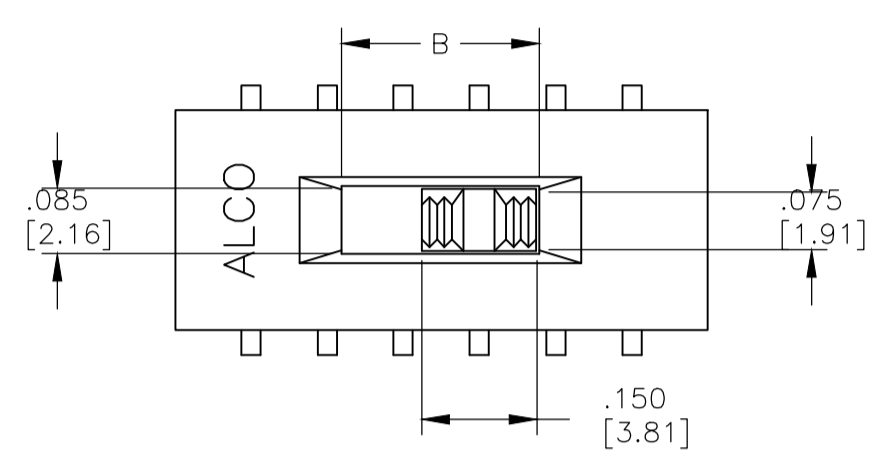
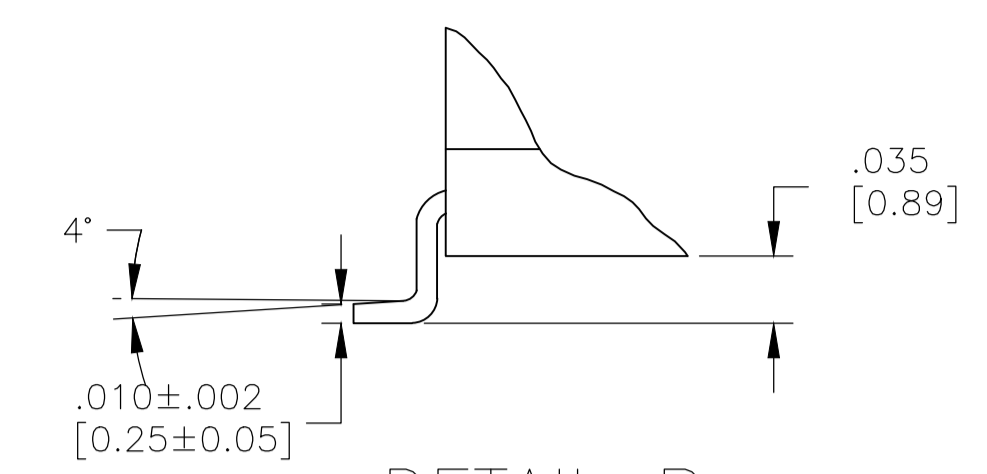


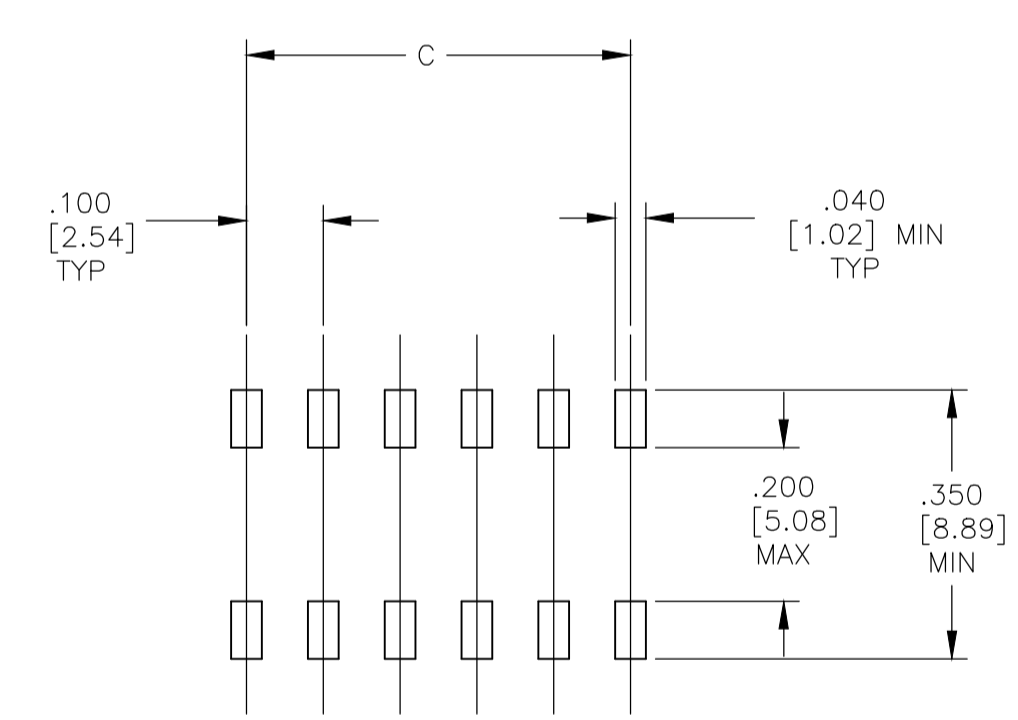
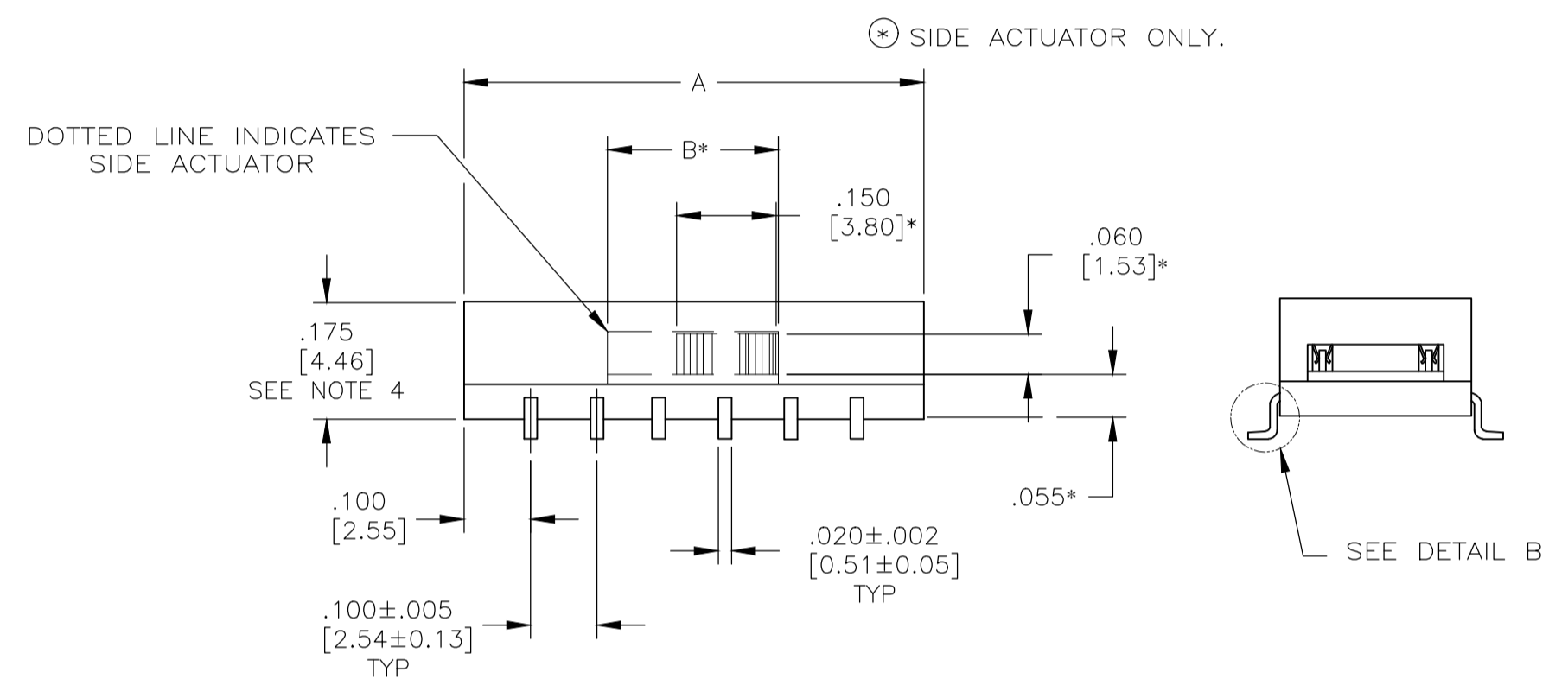
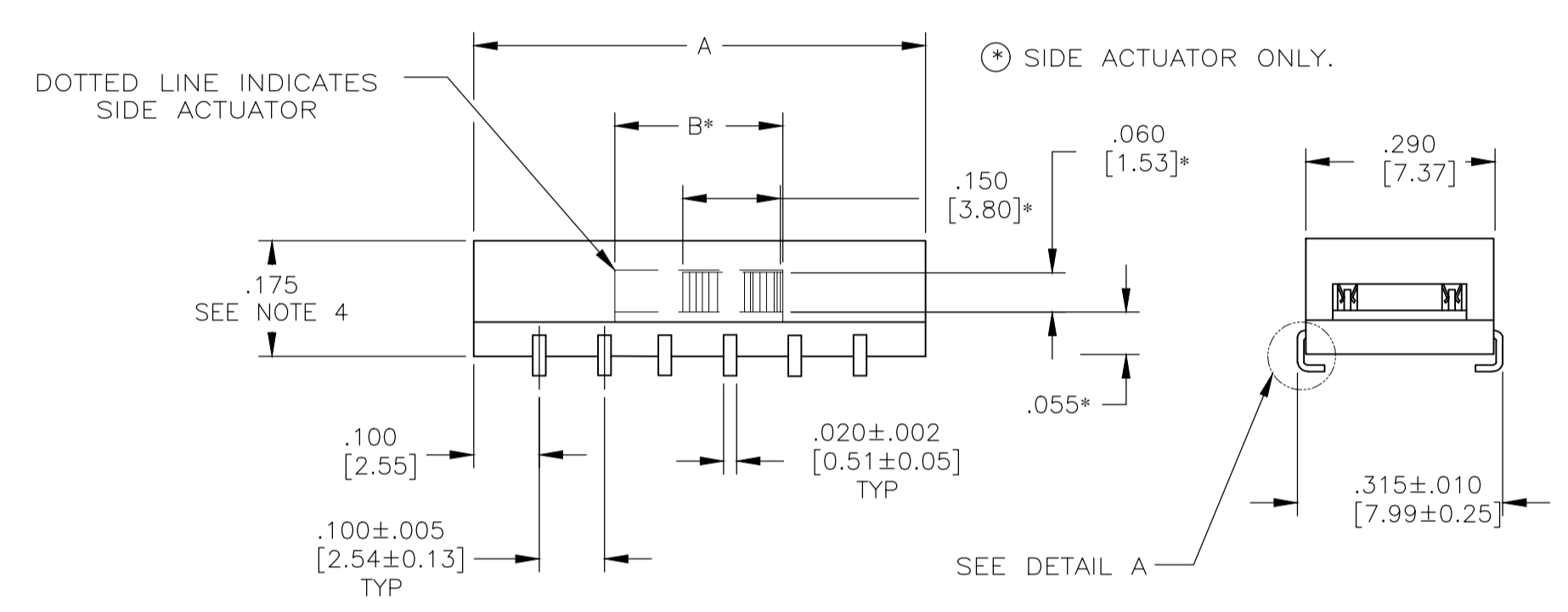
REVISIONS				
REV	DATE	BY	APP'D	DESCRIPTION
-	-	-	-	SEE SHEET 1



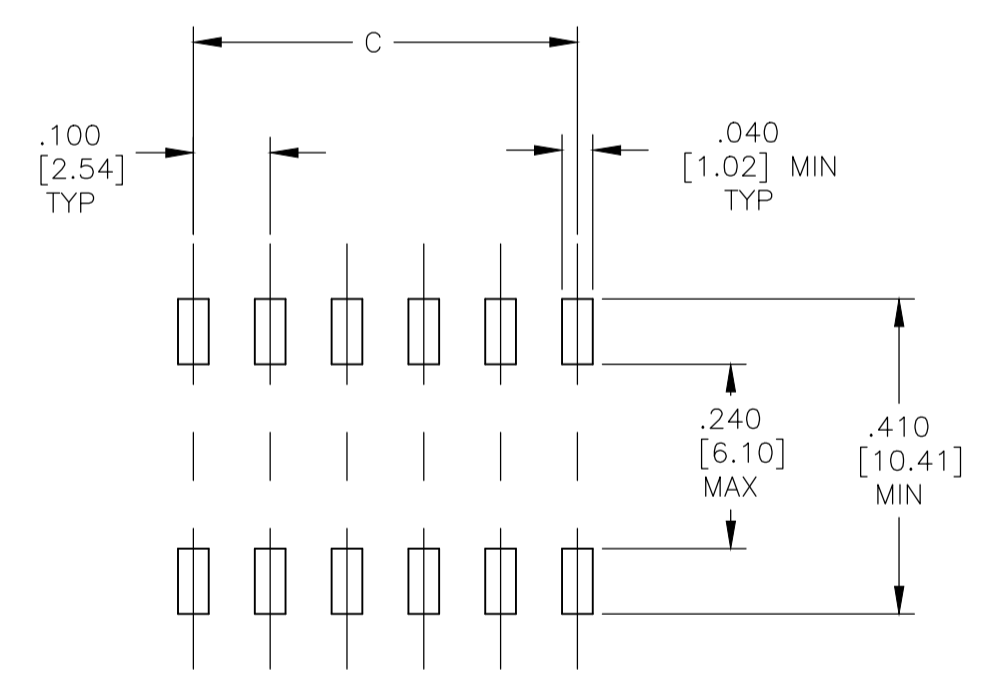
DETAIL A
SCALE 10:1



DETAIL B
SCALE 10:1



PRINTED CIRCUIT BOARD
PAD LAYOUT
"S" J-LEAD TYPE SURFACE MOUNT



PRINTED CIRCUIT BOARD
PAD LAYOUT
"L" GULL WING TYPE SURFACE MOUNT

THIS DRAWING IS A CONTROLLED DOCUMENT.		DWG: B.S.VISWESWARA	20FEB05	TE Connectivity	
DIMENSIONS: INCHES [mm]		CHK: M.S.SARVER	20FEB05		
TOLERANCES UNLESS OTHERWISE SPECIFIED:		APVD: M.S.SARVER	20FEB05	NAME: SLIDE SWITCH ASF, AUTO-INSERTABLE, THRU-HOLE AND SURFACE MOUNT	
0 PLC ± -		PRODUCT SPEC			
1 PLC ± -		APPLICATION SPEC			
2 PLC ± -		SIZE: A1	CAGE CODE: 00779	DRAWING NO: 1825011	RESTRICTED TO: -
3 PLC ± .01(0.25)		WEIGHT: -	SCALE: 5:1	SHEET: 2 OF 2	REV: B2
4 PLC ± -	FINISH: SEE SHEET 1	CUSTOMER DRAWING			

X-ON Electronics

Largest Supplier of Electrical and Electronic Components

Click to view similar products for [Slide Switches](#) category:

Click to view products by [TE Connectivity](#) manufacturer:

Other Similar products are found below :

[6-1437581-1](#) [M43R](#) [MHS123K15D](#) [MHS133K](#) [MHSS1104A](#) [MMD](#) [GH49S010001](#) [MSS12A](#) [EPS1PC1](#) [1825074-1](#) [1825160-3](#) [1825167-2](#)
[1825289-7](#) [25139NLDB](#) [25449NAH](#) [SLB1240R45](#) [1825078-1](#) [1825080-4](#) [1825269-1](#) [1825270-2](#) [STS141RA04](#) [T2215BEN506](#)
[GH46P000001](#) [GH46W000001](#) [GH49P010001](#) [25339NA](#) [M42A](#) [TG36P000000](#) [TG36P000050](#) [AYZ0202AG](#) [47227LFE](#) [49331L](#) [50208L](#)
[L203091MS02Q](#) [4-1437581-7](#) [X2225CR-437W](#) [49329L](#) [1101M1S3ZB8E2](#) [1-1437581-1](#) [MSS2225G04](#) [TG39W000000](#) [1825075-1](#)
[MSS42G](#) [TG36WS80065](#) [T105S1CWZBE](#) [SLB124145](#) [SLB1280R5](#) [SLB1340R45](#) [25136NLDB](#) [TG39W000050](#)