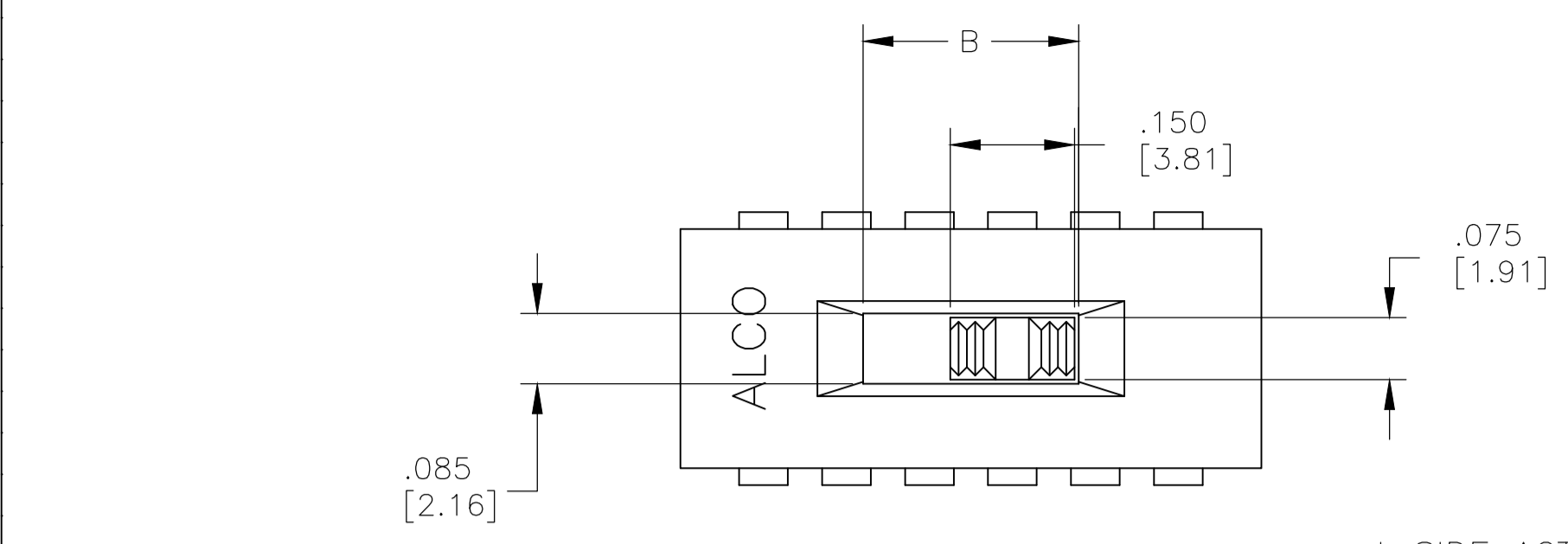
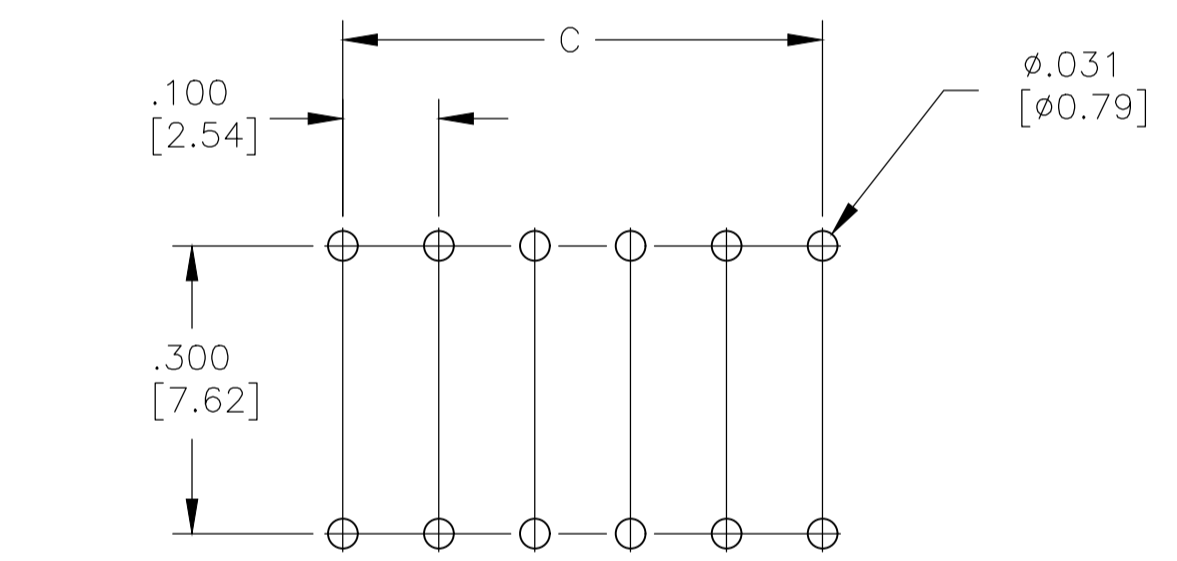
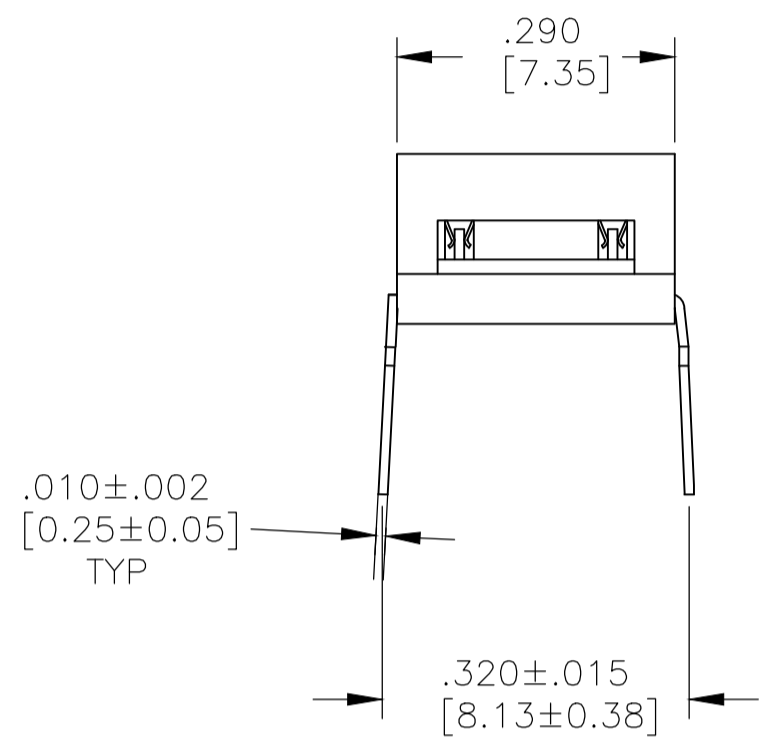
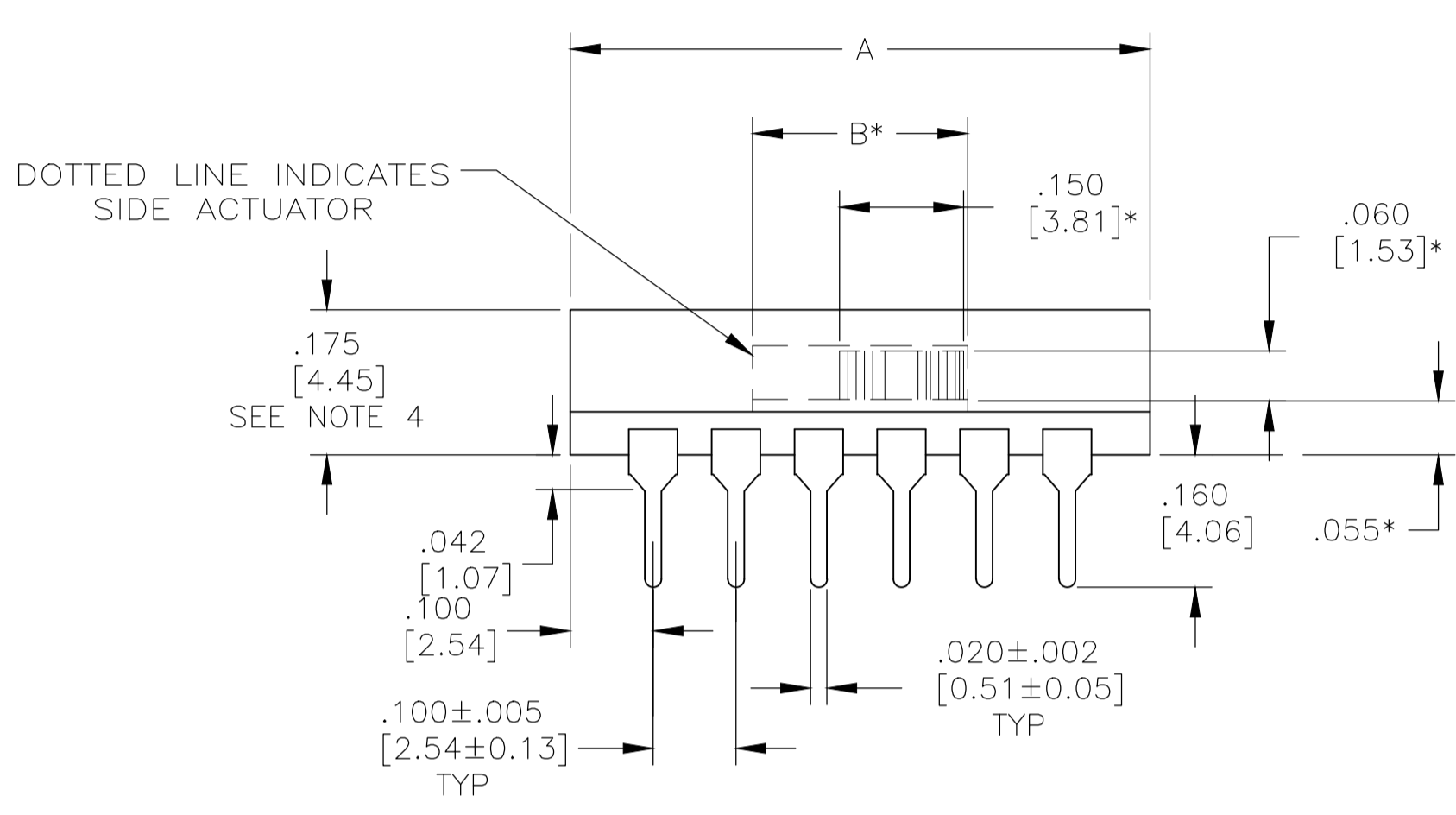


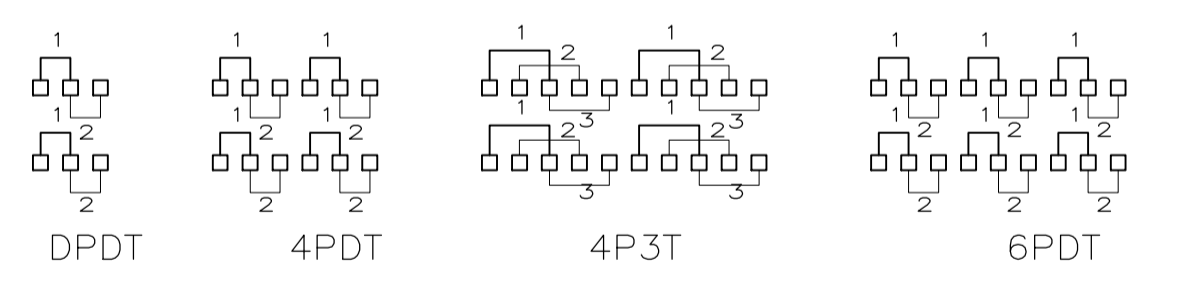
REVISIONS table with columns: P, LTR, DESCRIPTION, DATE, OWN, APVD. Includes revision B1 (REVISED PER ECO-11-004587) and B2 (REVISED PER ECO-16-018096).



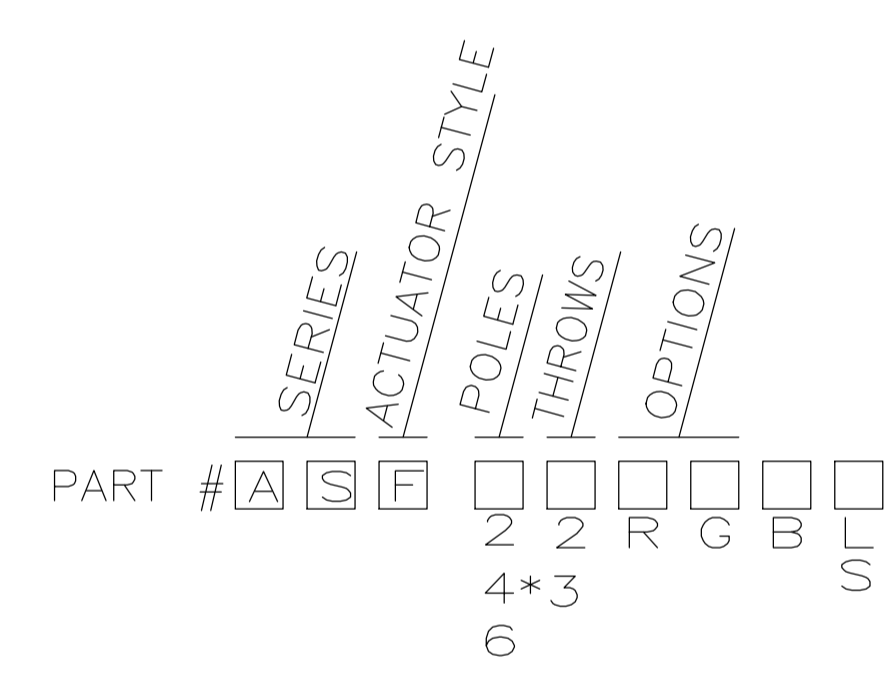
* SIDE ACTUATOR ONLY.



PRINTED CIRCUIT BOARD HOLE PATTERN



CIRCUIT DIAGRAMS



E = EXTENDED ACTUATOR
F = FLUSH ACTUATOR
*3 = THROW AVAILABLE
R = SIDE ACTUATOR
G = GOLD CONTACTS (BLANK SILVER)
B = BLACK ACTUATOR
L = GULL WING STYLE SURFACE MOUNT
S = J-LEAD STYLE SURFACE MOUNT
TR = TAPE AND REEL PACKAGING

SPECIFICATIONS:

MATERIAL: BASE & COVER- PCT UL94V-0, BLACK. ACTUATOR- NYLON PA46 UL94V-0, NATURAL MOVING CONTACT- COPPER ALLOY, SILVER OR GOLD OVER NICKEL. FIXED CONTACT- COPPER ALLOY SILVER OR GOLD OVER NICKEL. TERMINAL- COPPER ALLOY TIN OVER NICKEL.

ELECTRICAL: CONTACT RATING: SILVER: 300 MILLIAMPS @ 115 VAC. GOLD: 0.4 VA 20 VDC. CONTACT RESISTANCE: INITIAL 40 MILLIOHMS MAX. INSULATION RESISTANCE: 1000 MEGOHMS MAX. DIELECTRIC STRENGTH: 600 VOLTS RMS AT SEA LEVEL. LIFE EXPECTANCY: 15,000 CYCLES MIN.

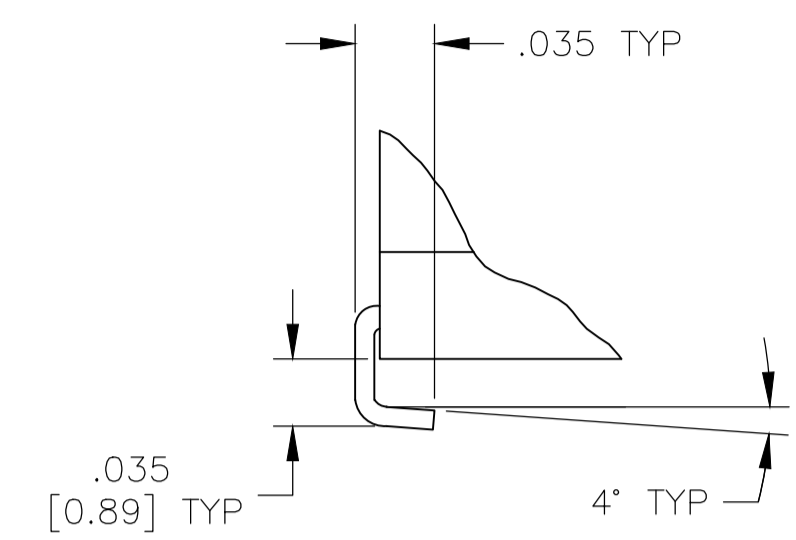
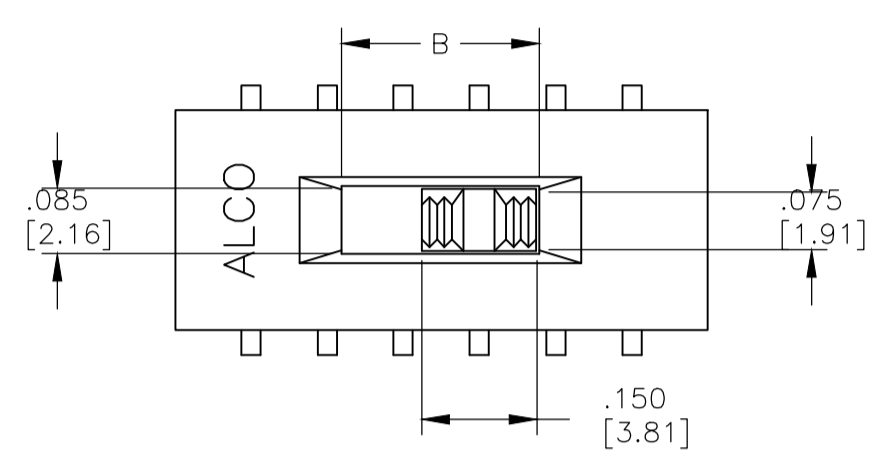
ENVIRONMENTAL: OPERATING TEMPERATURE: -40°F TO +176°F (-40° TO 80°) SOLDER HEAT RESISTANCE PER 109-202, COND B (THRU-HOLE) & 109-201, COND B (SMT) PROCESS CLEANING: WILL WITHSTAND AQUEOUS OR SOLVENT CLEANING PROCESSES. SOLDERABILITY PER EIA 364-52 CLASS 2 CATEGORY 1

Main product table with columns: Dim D, Dim C, Dim B, Dim A, FINISH (ABCD), MGT STYLE, ACTUATION, FUNCTION, ALCO P/N, P/N. Lists various part numbers like ASF7126004, ASF62RST04, ASF62RGL04, etc.

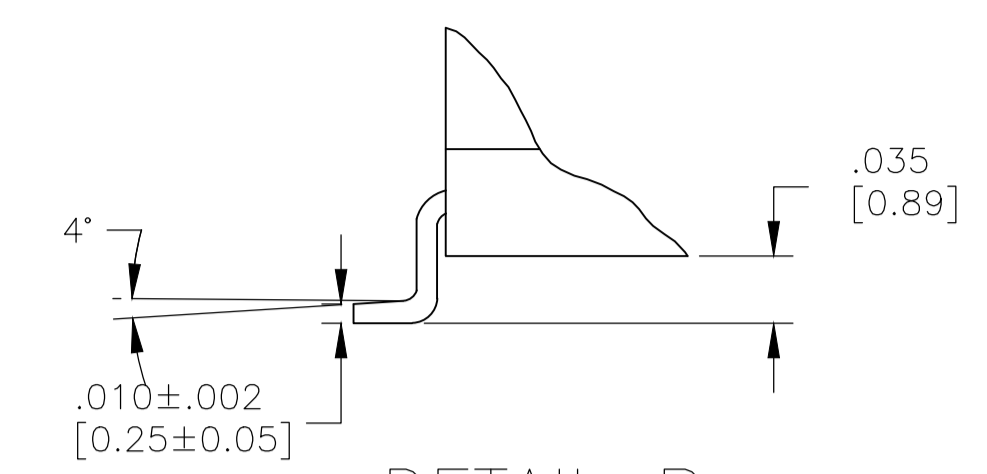
- NOTES: UNLESS OTHERWISE SPECIFIED
1. ALL SWITCHES HAVE OPEN ENDS EXCEPT TOP FLUSH ACTUATOR, WHICH COMES STANDARD WITH TAPE SEAL.
2. TAPE AND REEL PER EIA 481 OR 22" ANTI-STATIC TUBES
3. ALL MATERIAL AND FINISHES SHALL COMPLY WITH EU DIRECTIVE 2002/95/EC OF 27JAN2003(ROHS)
4. STANDARD PRODUCT(AFTER WELD) HEIGHT IS ALLOWED UP TO .180
5. PARTS SUPPLIED WITHOUT TAPE SEAL.
6. OBSOLETE

Footer containing drawing information: DIMENSIONS (INCHES [mm]), TOLERANCES UNLESS OTHERWISE SPECIFIED, MATERIAL, FINISH, WEIGHT, CUSTOMER DRAWING, and ST logo.

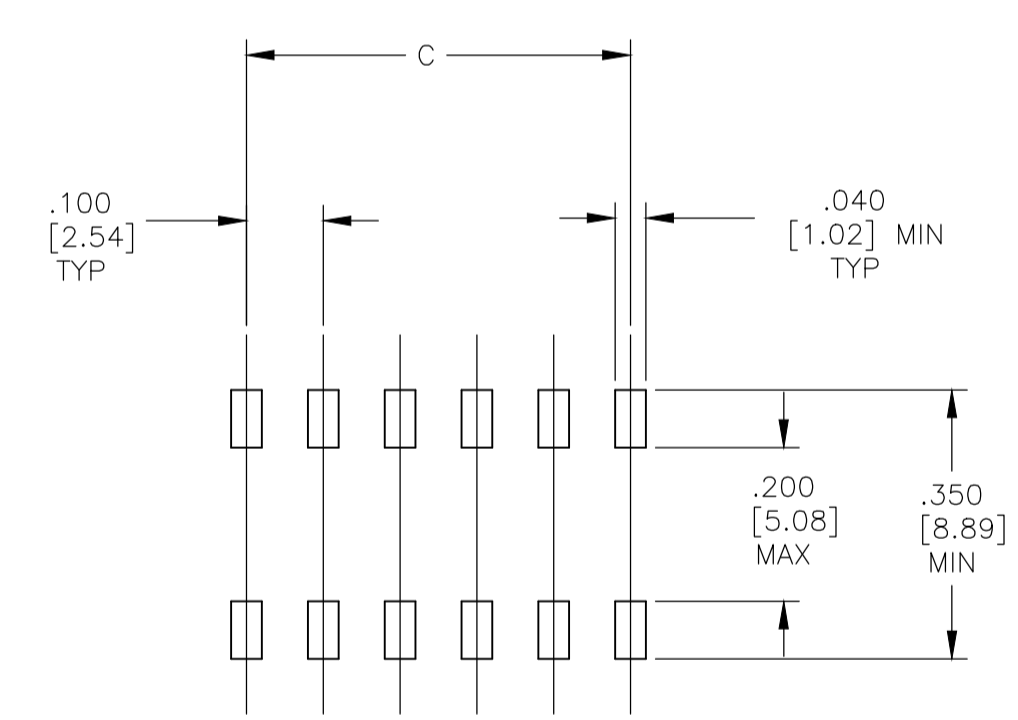
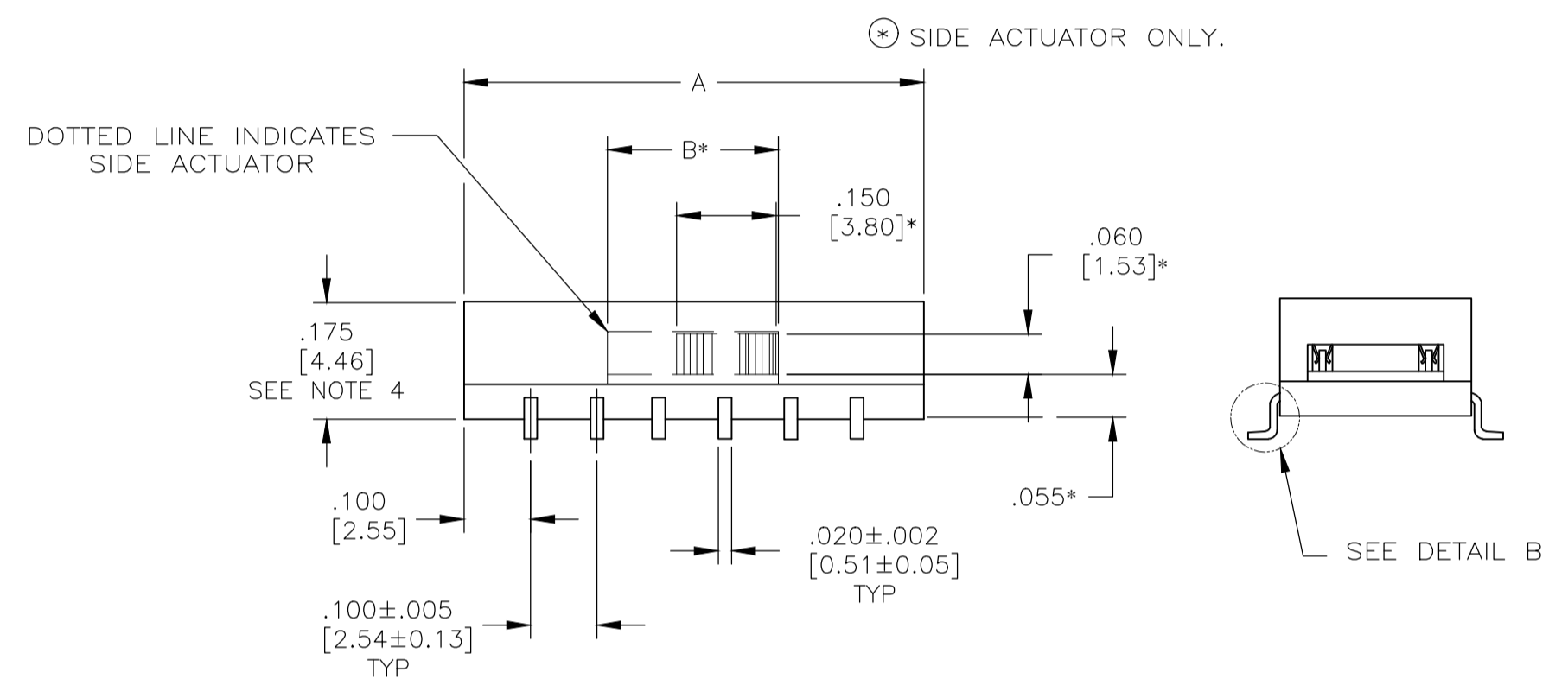
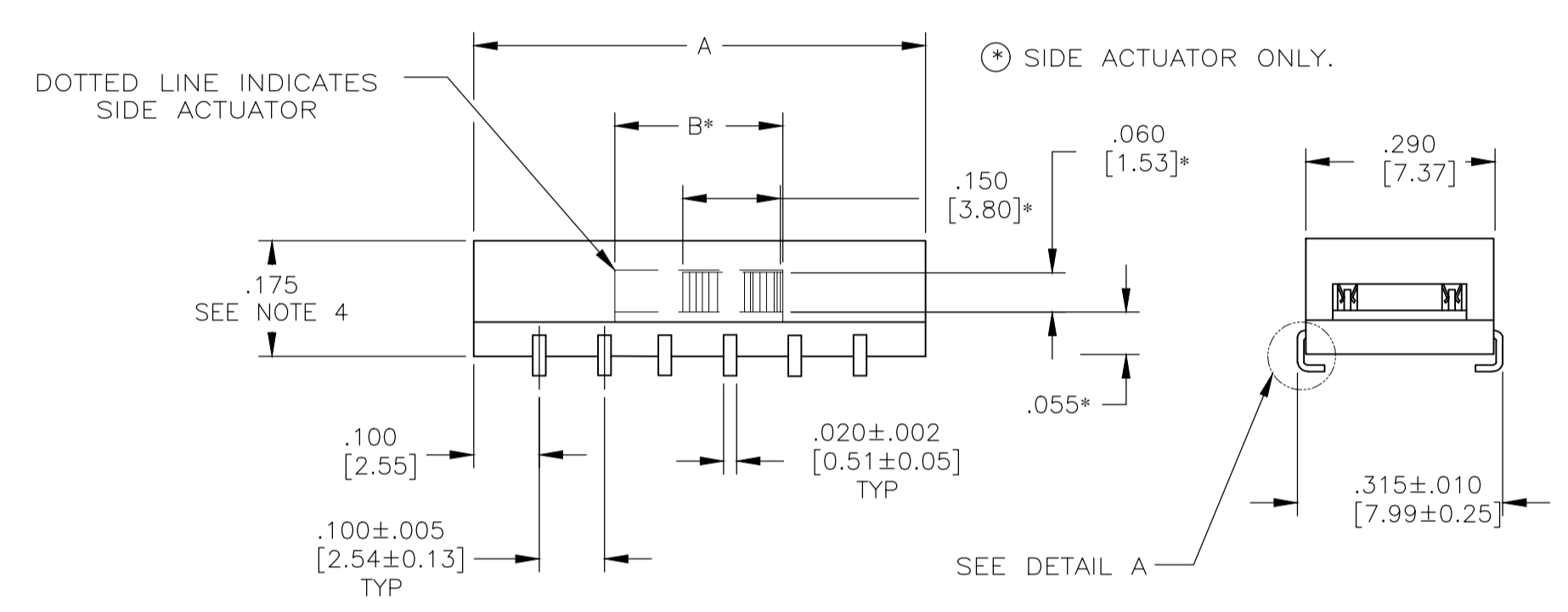
REVISIONS				
REV	DATE	BY	APP'D	DESCRIPTION
-	-	-	-	SEE SHEET 1



DETAIL A
SCALE 10:1

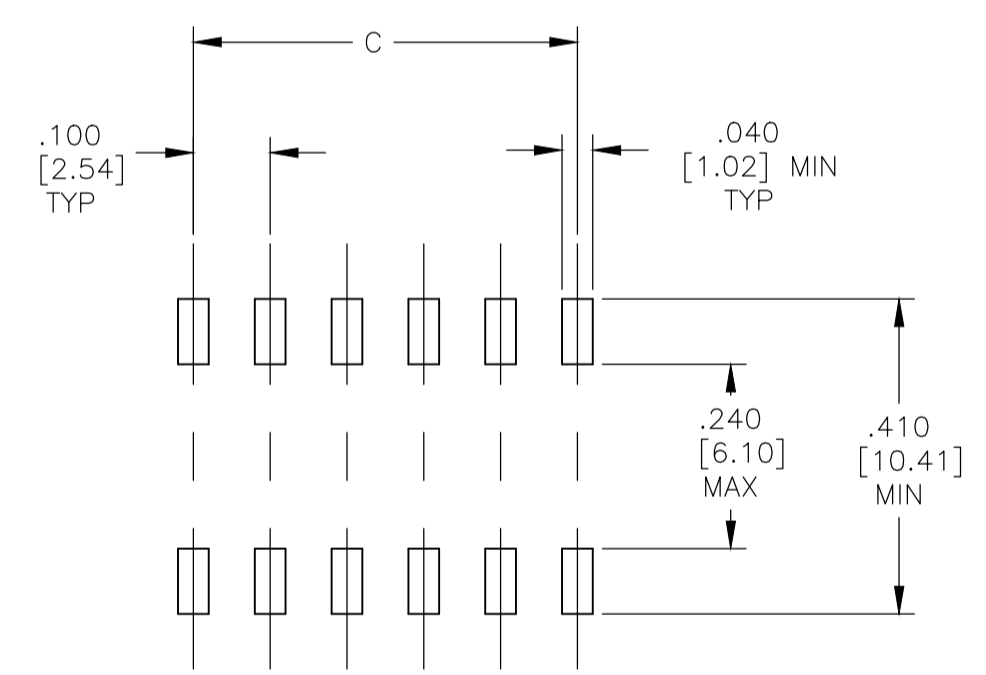


DETAIL B
SCALE 10:1



PRINTED CIRCUIT BOARD
PAD LAYOUT

"S" J-LEAD TYPE SURFACE MOUNT



PRINTED CIRCUIT BOARD
PAD LAYOUT

"L" GULL WING TYPE SURFACE MOUNT

THIS DRAWING IS A CONTROLLED DOCUMENT.		DWG: B.S.VISWESWARA	20FEB05	TE Connectivity	
DIMENSIONS: INCHES [mm]		CHK: M.S.SARVER	20FEB05		
TOLERANCES UNLESS OTHERWISE SPECIFIED:		APVD: M.S.SARVER	20FEB05	NAME: SLIDE SWITCH ASF, AUTO-INSERTABLE, THRU-HOLE AND SURFACE MOUNT	
0 PLC ± -		PRODUCT SPEC			
1 PLC ± -		APPLICATION SPEC			
2 PLC ± -		SIZE: A1	CAGE CODE: 00779	DRAWING NO: 1825011	RESTRICTED TO: -
3 PLC ± .01(0.25)		WEIGHT: -	SCALE: 5:1	SHEET: 2 OF 2	REV: B2
4 PLC ± -	FINISH: SEE SHEET 1	CUSTOMER DRAWING			

X-ON Electronics

Largest Supplier of Electrical and Electronic Components

Click to view similar products for [Slide Switches](#) category:

Click to view products by [TE Connectivity](#) manufacturer:

Other Similar products are found below :

[6-1437581-1](#) [M43R](#) [MHS123K15D](#) [MHS133K](#) [MHSS1104A](#) [MMD](#) [GH49S010001](#) [MSS12A](#) [EPS1PC1](#) [1825074-1](#) [1825160-3](#) [1825167-2](#)
[1825289-7](#) [25139NLDB](#) [25449NAH](#) [SLB1240R45](#) [1825078-1](#) [1825080-4](#) [1825269-1](#) [1825270-2](#) [STS141RA04](#) [T2215BEN506](#)
[GH46P000001](#) [GH46W000001](#) [GH49P010001](#) [25339NA](#) [M42A](#) [TG36P000000](#) [TG36P000050](#) [AYZ0202AG](#) [47227LFE](#) [49331L](#) [50208L](#)
[L203091MS02Q](#) [4-1437581-7](#) [X2225CR-437W](#) [49329L](#) [1101M1S3ZB8E2](#) [1-1437581-1](#) [MSS2225G04](#) [TG39W000000](#) [1825075-1](#)
[MSS42G](#) [TG36WS80065](#) [T105S1CWZBE](#) [SLB124145](#) [SLB1280R5](#) [SLB1340R45](#) [25136NLDB](#) [TG39W000050](#)