

THIS DRAWING IS UNPUBLISHED. RELEASED FOR PUBLICATION
 © COPYRIGHT BY TYCO ELECTRONICS CORPORATION. ALL RIGHTS RESERVED.

| | | | | | | | |
|-----|------|-----------|-----|---------------------------|---------|-----|------|
| LOC | DIST | REVISIONS | | | | | |
| AD | 00 | P | LTR | DESCRIPTION | DATE | DWN | APVD |
| | | A | | REVISED PER ECO-08-031577 | 18DEC08 | HMR | MS |

SPECIFICATIONS:
 BREAK BEFORE MAKE
 2XSPDT

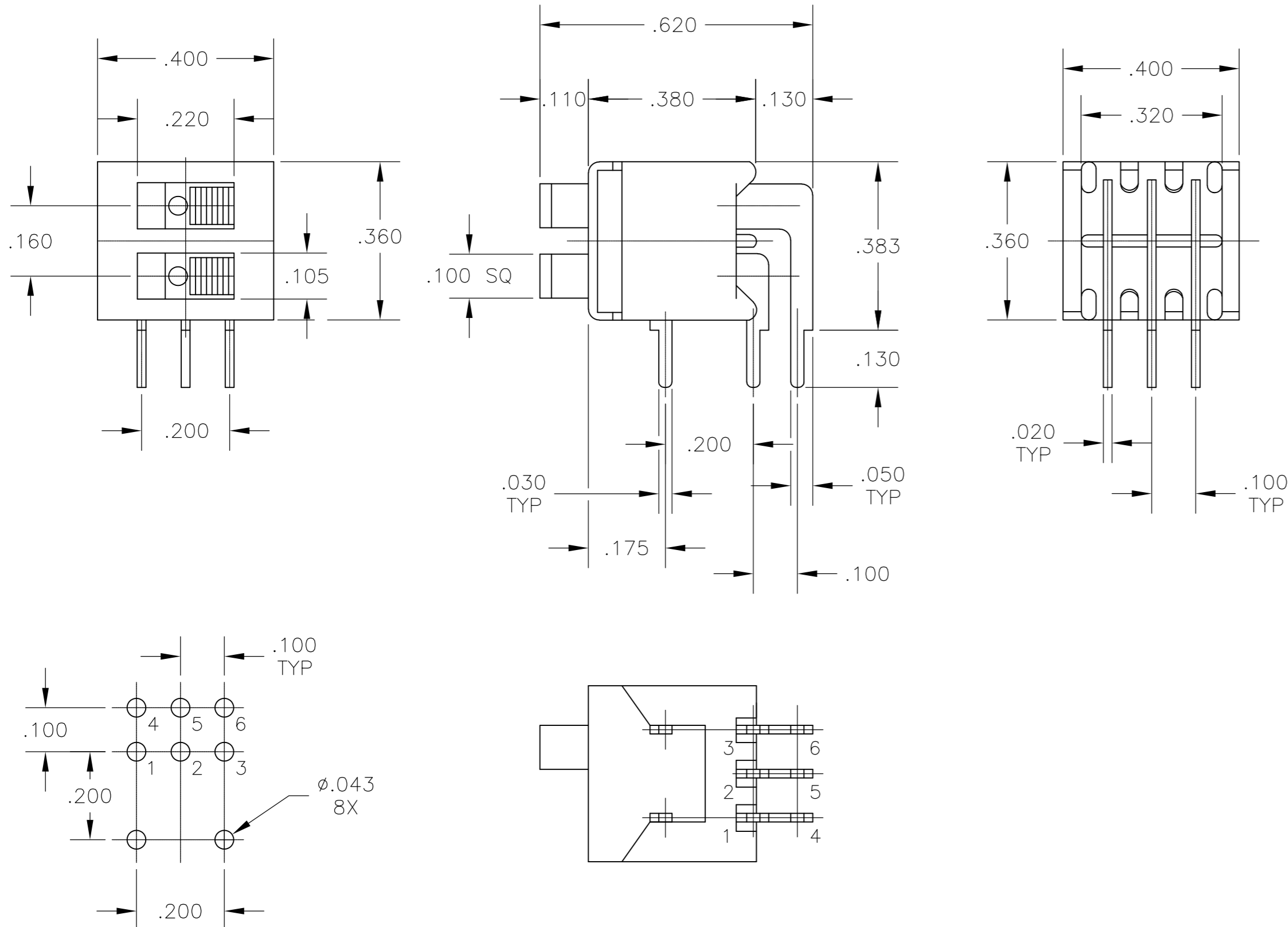
MATERIALS:
 CASE- LCP UL94V-0, BLACK
 ACTUATOR- POLYESTER UL94V-0, BLACK
 FRAME- STEEL, TIN PLATE
 MOVING CONTACT- COPPER ALLOY, GOLD OVER NICKEL PLATE
 FIXED CONTACT- COPPER ALLOY, GOLD OVER NICKEL PLATE
 TERMINAL- COPPER ALLOY, TIN OVER NICKEL PLATE

ELECTRICAL:
 CONTACT RATING- .4VA MAX @ 20V DC OR PEAK AC
 INITIAL CONTACT RESISTANCE- 20 MILLIOHMS MAX
 INSULATION RESISTANCE- 1,000 MEGOHMS MIN @ 500V DC
 DIELECTRIC STRENGTH- 1,000 VOLTS RMS @ SEA LEVEL
 LIFE- 60,000-80,000 CYCLES

MECHANICAL:
 TRAVEL- .120
 ACTUATION FORCE- 150-600 GRAMS

ENVIRONMENTAL:
 OPERATING TEMPERATURE- -20°C TO +80°C.
 STORAGE TEMPERATURE- -20°C TO +80°C.
 SOLDER HEAT RESISTANCE- PER EIA-364-56A, PROCEDURE 3, COND B
 SOLDERABILITY- PER EIA-364-52, CLASS 2, CATEGORY 1

1 PRELIMINARY PART NUMBER.



RECOMMENDED HOLE LAYOUT
 TOLERANCES ±.002 UNLESS OTHERWISE NOTED

| | | | | | | | |
|---------|------|---------|------|------|----------|----------------|-------------|
| 1,2-4,5 | NONE | 2,3-5,6 | SPDT | 2 | FLUSH | TSD21DDG1RAE04 | 1 1825014-5 |
| 1,2-4,5 | NONE | 2,3-5,6 | SPDT | 2 | EXTENDED | TSD21DDGRAE04 | 1 1825014-4 |
| 1,2-4,5 | NONE | 2,3-5,6 | SPDT | 2 | FLUSH | TSD21DDG1RA04 | 1825014-3 |
| 1,2-4,5 | OFF | 2,3-5,6 | SPDT | 3 | EXTENDED | TSD21EEGRA04 | 1825014-2 |
| 1,2-4,5 | NONE | 2,3-5,6 | SPDT | 2 | EXTENDED | TSD21DDGRA04 | 1825014-1 |
| | | | TYPE | POSN | ACTUATOR | ALCO P/N | TE P/N |

| | | | | | | | |
|--|--|----------------------------|----------------|---|-----------|--------------|---------------|
| THIS DRAWING IS A CONTROLLED DOCUMENT. | | DWN | 23JUN05 | Tyco Electronics Corporation Harrisburg, Pa 17105-3608 | | | |
| DIMENSIONS: INCHES | | CHK | B.S.VISWESWARA | NAME | | | |
| TOLERANCES UNLESS OTHERWISE SPECIFIED: | | APVD | - | PRODUCT SPEC | | | |
| 0 PLC ± - | | APVD | - | APPLICATION SPEC | | | |
| 1 PLC ± - | | WEIGHT - | | SIZE | CAGE CODE | DRAWING NO | RESTRICTED TO |
| 2 PLC ± - | | MATERIAL SEE SPECIFICATION | | A2 | 00779 | C=1825014 | - |
| 3 PLC ± .010 | | FINISH - | | SCALE 4:1 | | SHEET 1 OF 1 | REV A |
| 4 PLC ± - | | CUSTOMER DRAWING | | | | | |
| ANGLES ± - | | | | | | | |

X-ON Electronics

Largest Supplier of Electrical and Electronic Components

Click to view similar products for [Slide Switches](#) category:

Click to view products by [TE Connectivity](#) manufacturer:

Other Similar products are found below :

[6-1437581-1](#) [M43R](#) [MHS123K15D](#) [MHS133K](#) [MHSS1104A](#) [MMD](#) [GH49S010001](#) [MSS12A](#) [EPS1PC1](#) [1825074-1](#) [1825160-3](#) [1825167-2](#)
[1825289-7](#) [25139NLDB](#) [25449NAH](#) [SLB1240R45](#) [1825078-1](#) [1825080-4](#) [1825269-1](#) [1825270-2](#) [STS141RA04](#) [T2215BEN506](#)
[GH46P000001](#) [GH46W000001](#) [GH49P010001](#) [25339NA](#) [M42A](#) [TG36P000000](#) [TG36P000050](#) [AYZ0202AG](#) [47227LFE](#) [49331L](#) [50208L](#)
[L203091MS02Q](#) [4-1437581-7](#) [X2225CR-437W](#) [49329L](#) [1101M1S3ZB8E2](#) [1-1437581-1](#) [MSS2225G04](#) [TG39W000000](#) [1825075-1](#)
[MSS42G](#) [TG36WS80065](#) [T105S1CWZBE](#) [SLB124145](#) [SLB1280R5](#) [SLB1340R45](#) [25136NLDB](#) [TG39W000050](#)