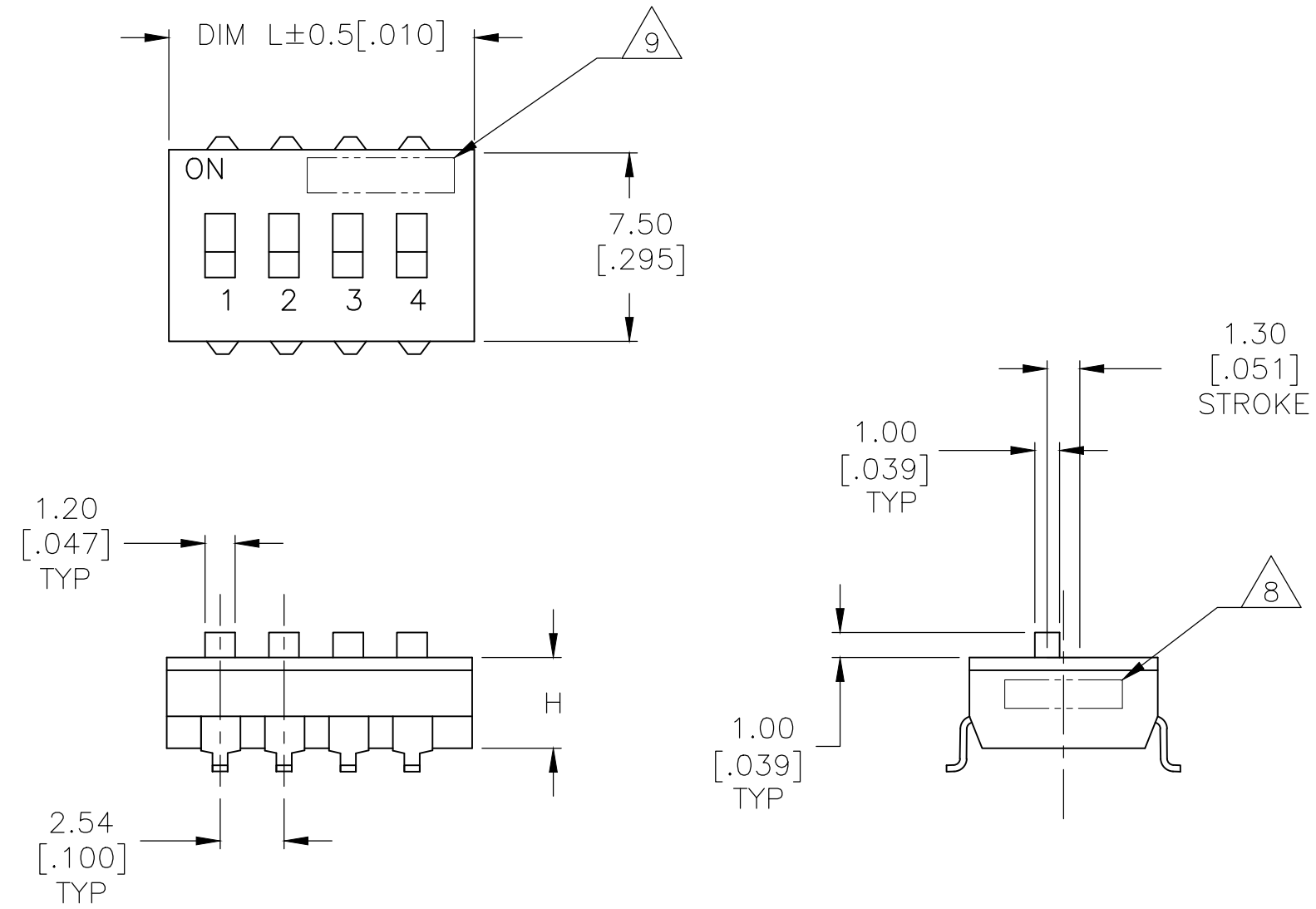


REVISIONS					
P	LTR	DESCRIPTION	DATE	DWN	APVD
S3		REVISED PER ECO-16-018654	15MAY2017	RK	PO
S4		REVISED PER ECO-17-012597	27OCT2017	RK	PO
S5		REVISED PER ECO-18-013690	24OCT2018	SR	PO



8 MARK ALCO PLUS FIRST 5 DIGITS PER T&B P/N.2 AND 3 POSITION SUPPLIED WITHOUT ALCO

15 5 8 A1  
 SPACE INTERNAL CONTROL No. (2-digit)

YEAR OF PRODUCTION WITH 1-DIGIT FIGURE(4TH DIGIT OF CALENDAR YEAR)  
 (EXAMPLE: Y2018: 8; Y2019: 9)

MONTH OF PRODUCTION WITH 1-DIGIT FIGURE OR ALPHABET  
 (EXAMPLE: 1~9, X(10), Y(11), Z(12))

DATE OF PRODUCTION WITH 2-DIGIT FIGURES(01-31)

9 MARK ALCO PLUS FIRST 5 DIGITS PER T&B P/N.2 AND 3 POSITION SUPPLIED WITHOUT ALCO

SEE SHEET 2 FOR PART NUMBER TABLE AND MOUNTING OPTIONS

SPECIFICATIONS:

MATERIAL

BASE, PPS, UL94V-0, BLACK  
 COVER, PPS, UL94V-0, BLACK  
 ACTUATOR, PA6T, UL94V-0, WHITE  
 FIXED CONTACT/TERMINAL, CU ALLOY-GOLD FLASH OVER NICKEL  
 MOVING CONTACT, CU ALLOY, PLATE-GOLD FLASH/NICKEL

ELECTRICAL

MAX CONTACT RATING SWITCHING, 100MILLIAMPS @ 24 VDC  
 MIN CONTACT RATING SWITCHING, .1MICROAMP @ 1 MILLIVOLT  
 MAX CONTACT NON-SWITCHING, 1AMP @ 5 VDC  
 INITIAL CONTACT RESISTANCE, 50 MILLIOHMS MAX.  
 CONTACT RESISTANCE (AFTER ENVIRONMENTAL TEST), 100 MILLIOHMS  
 CONTACT RESISTANCE (AFTER GAS TEST), 300 MILLIOHMS  
 INSULATION RESISTANCE, 1,000 MEGOHMS MIN. @ 100 VDC  
 DIELECTRIC STRENGTH, 500 VAC RMS @ SEA LEVEL  
 LIFE EXPECTANCY, 1,000 CYCLES

MECHANICAL

OPERATING FORCE, LESS THAN 800 GRAMS  
 CONTACT PRESSURE, 280,000 PSI

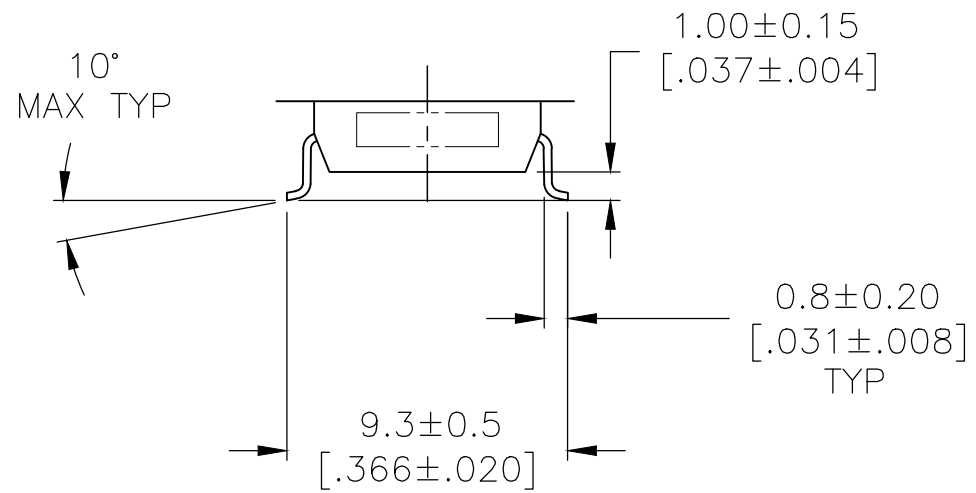
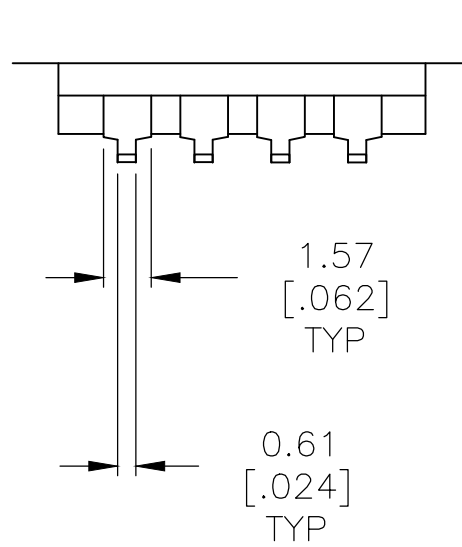
ENVIRONMENTAL

OPERATING TEMPERATURE, -30 TO +85 DEGREES C  
 STORAGE TEMPERATURE, -45 TO +105 DEGREES C  
 CLEANING, AQUEOUS OR SOLVENT  
 SOLDER HEAT RESISTANCE, PER 109-201, COND B, SWITCH "OFF".  
 SOLDERABILITY PER JIS C 0050 & JIS C 0053

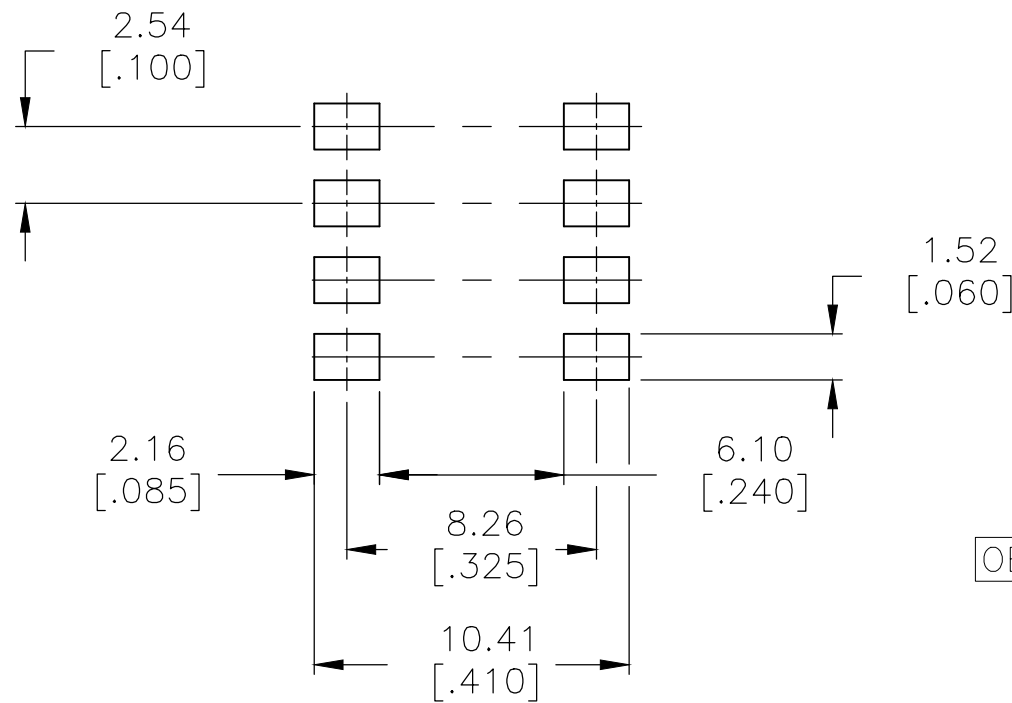
- SWITCHES TO BE RECEIVED IN THE "OFF" POSITION AND PACKAGED IN CLEAR TUBES TO ACCOMMODATE AUTO-INSERTION.
- TOP SURFACE TO BE CLEARLY MARKED AS SHOWN.
- SWITCHES TO BE BLACK WITH WHITE ACTUATORS AND MARKINGS.
- TERMINAL OPTION: OLD T&B P/N ADExxS, SA OR SB  
 S= OUTSIDE "L" TERMINALS; SA= INSIDE "L" TERMINALS;  
 SB= BUTT TERMINALS.
- ALL MATERIALS AND FINISHES SHALL COMPLY WITH EU DIRECTIVE 2002/95/EC OF 27JAN2003 (ROHS).
- 6 OBSOLETE PARTS: OBSOLETE CIS STREAMLINING PER D.RENAUD/D.SINISI.
- 7 TAPE AND REEL PACKING PER PAGE 3 SPECIFICATIONS.

THIS DRAWING IS A CONTROLLED DOCUMENT.		DWN B.S.VISWESWARA 10FEB05	TE Connectivity	
DIMENSIONS: mm [INCHES]		CHK M.SARVER		
TOLERANCES UNLESS OTHERWISE SPECIFIED:		APVD M.SARVER	DIP SWITCH, ADE-SMT SERIES	
0 PLC ± -		PRODUCT SPEC	SIZE	CAGE CODE
1 PLC ± -		APPLICATION SPEC	A2	-
2 PLC ± 0.30[0.012]		WEIGHT	DRAWING NO	
3 PLC ± -		MATERIAL	C=1825058	
4 PLC ± -			RESTRICTED TO	
ANGLES ± -		CUSTOMER DRAWING	SCALE	SHEET
			4:1	1 OF 3
				REV S5

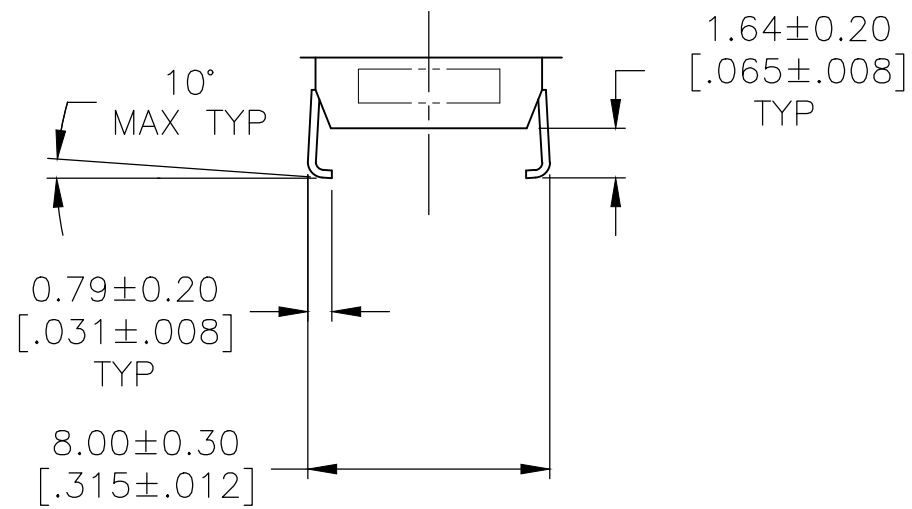
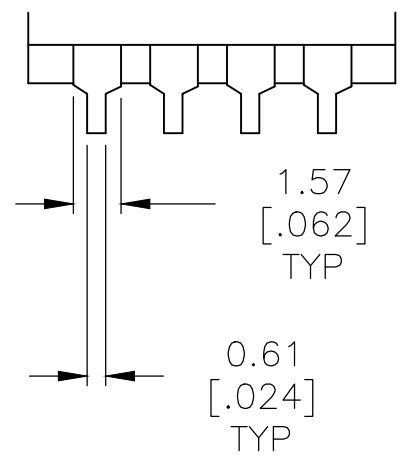
REVISIONS					
P	LTR	DESCRIPTION	DATE	DWN	APVD
-	-	SEE SHEET 1	-	-	-



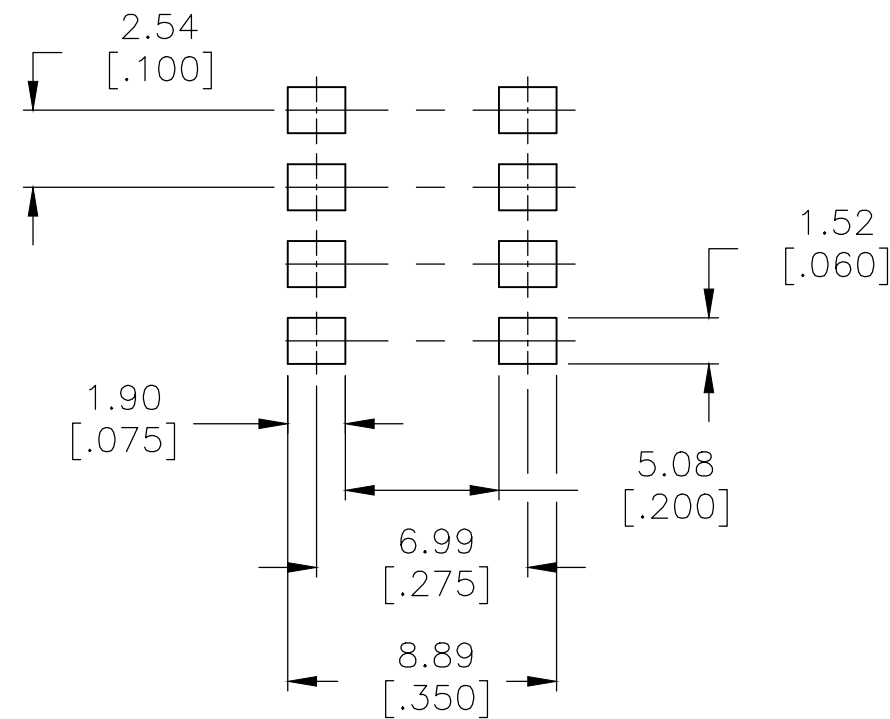
**SURFACE MOUNT**  
S (OUTSIDE "L")



**RECOMMENDED PAD LAYOUT**



**SURFACE MOUNT**  
SA (INSIDE "L")



**RECOMMENDED PAD LAYOUT**

OBSOLETE	ADE12STR04	3.61 [.142]	32.51 [1.280]	12	4-1825058-1
	ADE10STR04	3.50 [.138]	27.30 [1.075]	10	4-1825058-0
	ADE09STR04	3.50 [.138]	24.54 [.978]	9	3-1825058-9
	ADE08STR04	3.50 [.138]	22.30 [.878]	8	3-1825058-8
OBSOLETE	ADE07STR04	3.50 [.138]	19.76 [.778]	7	3-1825058-7
	ADE06STR04	3.50 [.138]	17.22 [.678]	6	3-1825058-6
OBSOLETE	ADE05STR04	3.50 [.138]	14.68 [.578]	5	3-1825058-5
OBSOLETE	ADE04STR04	3.50 [.138]	12.14 [.478]	4	3-1825058-4
OBSOLETE	ADE03STR04	3.50 [.138]	9.60 [.378]	3	3-1825058-3
	ADE02STR04	3.50 [.138]	7.00 [.276]	2	3-1825058-2
	ADE04SATR04	3.50 [.138]	12.14 [.478]	4	3-1825058-1
OBSOLETE	ADE12SB04	3.61 [.142]	32.51 [1.280]	12	3-1825058-0
OBSOLETE	ADE12SA04	3.61 [.142]	32.51 [1.280]	12	2-1825058-9
OBSOLETE	ADE12S04	3.61 [.142]	32.51 [1.280]	12	2-1825058-8
OBSOLETE	ADE10SB04	3.50 [.138]	27.30 [1.075]	10	2-1825058-7
OBSOLETE	ADE10SA04	3.50 [.138]	27.30 [1.075]	10	2-1825058-6
	ADE10S04	3.50 [.138]	27.30 [1.075]	10	2-1825058-5
	ADE09SB04	3.50 [.138]	24.54 [.978]	9	2-1825058-4
	ADE09SA04	3.50 [.138]	24.54 [.978]	9	2-1825058-3
	ADE09S04	3.50 [.138]	24.54 [.978]	9	2-1825058-2
OBSOLETE	ADE08SB04	3.50 [.138]	22.30 [.878]	8	2-1825058-1
	ADE08SA04	3.50 [.138]	22.30 [.878]	8	2-1825058-0
	ADE08S04	3.50 [.138]	22.30 [.878]	8	1-1825058-9
OBSOLETE	ADE07SB04	3.50 [.138]	19.76 [.778]	7	1-1825058-8
	ADE07SA04	3.50 [.138]	19.76 [.778]	7	1-1825058-7
	ADE07S04	3.50 [.138]	19.76 [.778]	7	1-1825058-6
OBSOLETE	ADE06SB04	3.50 [.138]	17.22 [.678]	6	1-1825058-5
OBSOLETE	ADE06SA04	3.50 [.138]	17.22 [.678]	6	1-1825058-4
	ADE06S04	3.50 [.138]	17.22 [.678]	6	1-1825058-3
OBSOLETE	ADE05SB04	3.50 [.138]	14.68 [.578]	5	1-1825058-2
	ADE05SA04	3.50 [.138]	14.68 [.578]	5	1-1825058-1
	ADE05S04	3.50 [.138]	14.68 [.578]	5	1-1825058-0
	ADE04SB04	3.50 [.138]	12.14 [.478]	4	1825058-9
OBSOLETE	ADE04SA04	3.50 [.138]	12.14 [.478]	4	1825058-8
	ADE04S04	3.50 [.138]	12.14 [.478]	4	1825058-7
	ADE03SB04	3.50 [.138]	9.60 [.378]	3	1825058-6
	ADE03SA04	3.50 [.138]	9.60 [.378]	3	1825058-5
	ADE03S04	3.50 [.138]	9.60 [.378]	3	1825058-4
OBSOLETE	ADE02SB04	3.50 [.138]	7.00 [.276]	2	1825058-3
OBSOLETE	ADE02SA04	3.50 [.138]	7.00 [.276]	2	1825058-2
	ADE02S04	3.50 [.138]	7.00 [.276]	2	1825058-1
	T&B P/N	DIM H	DIM L	POSITION	PART NO.

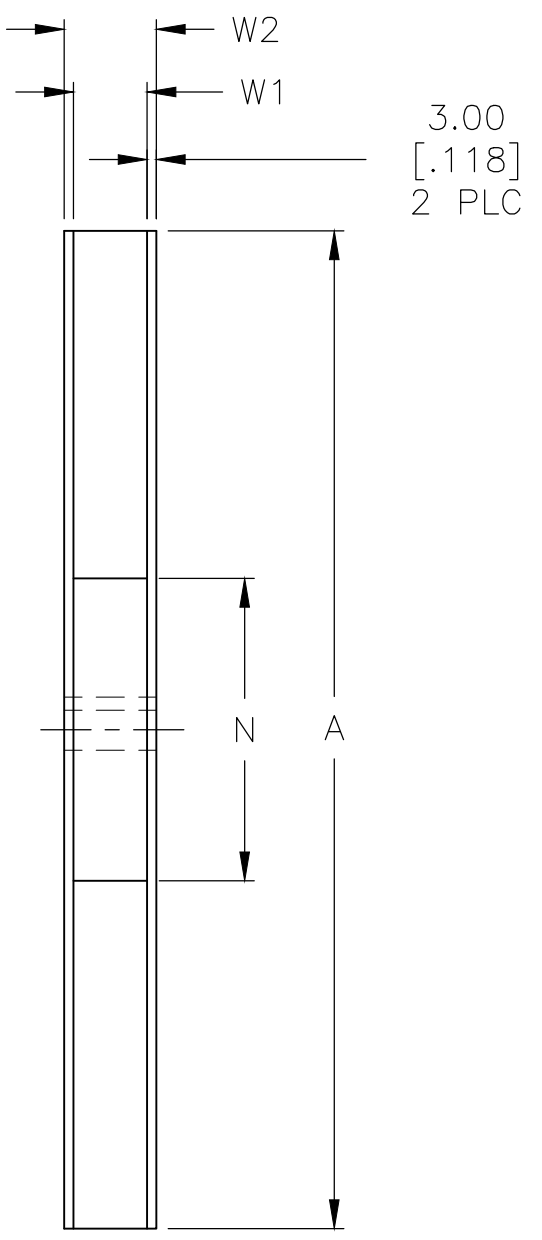
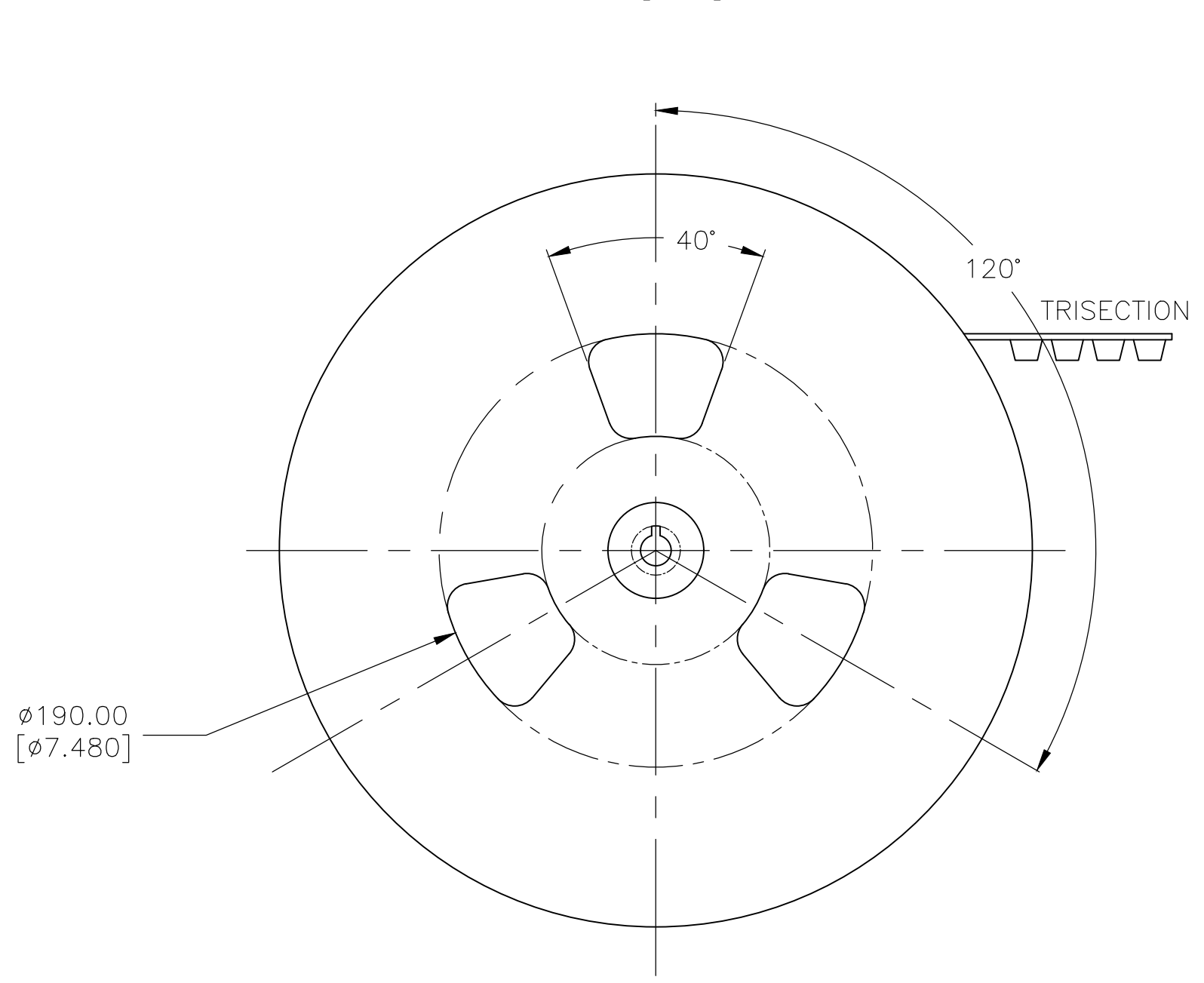
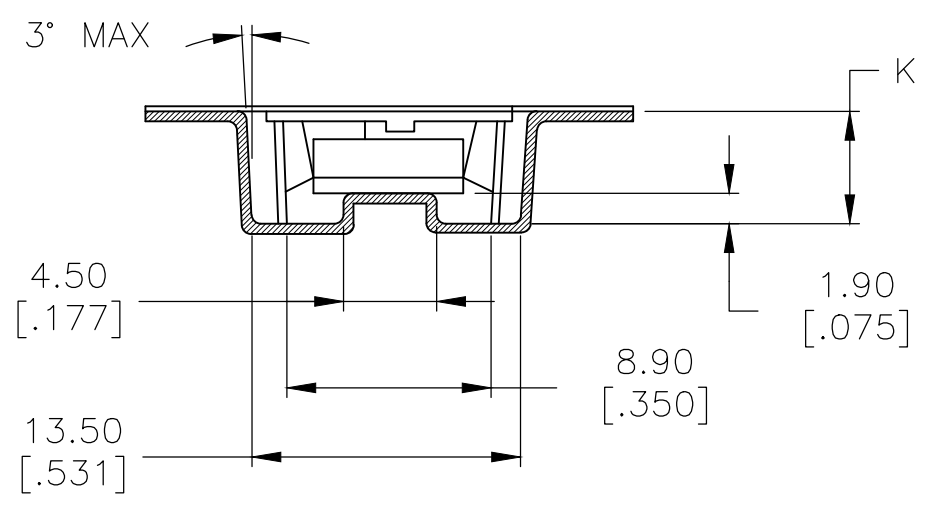
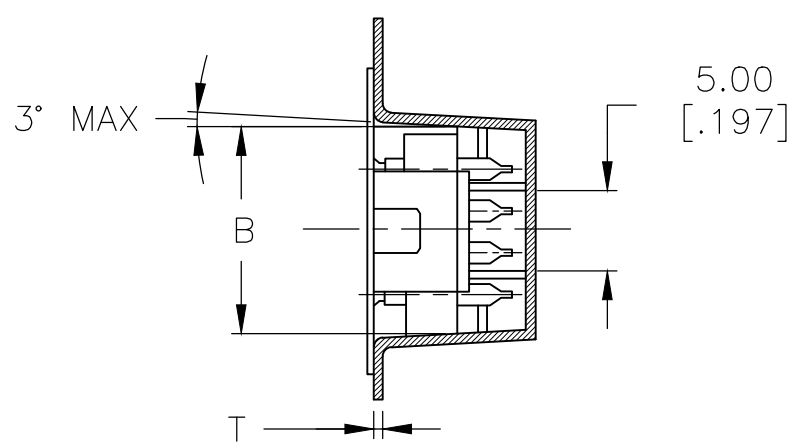
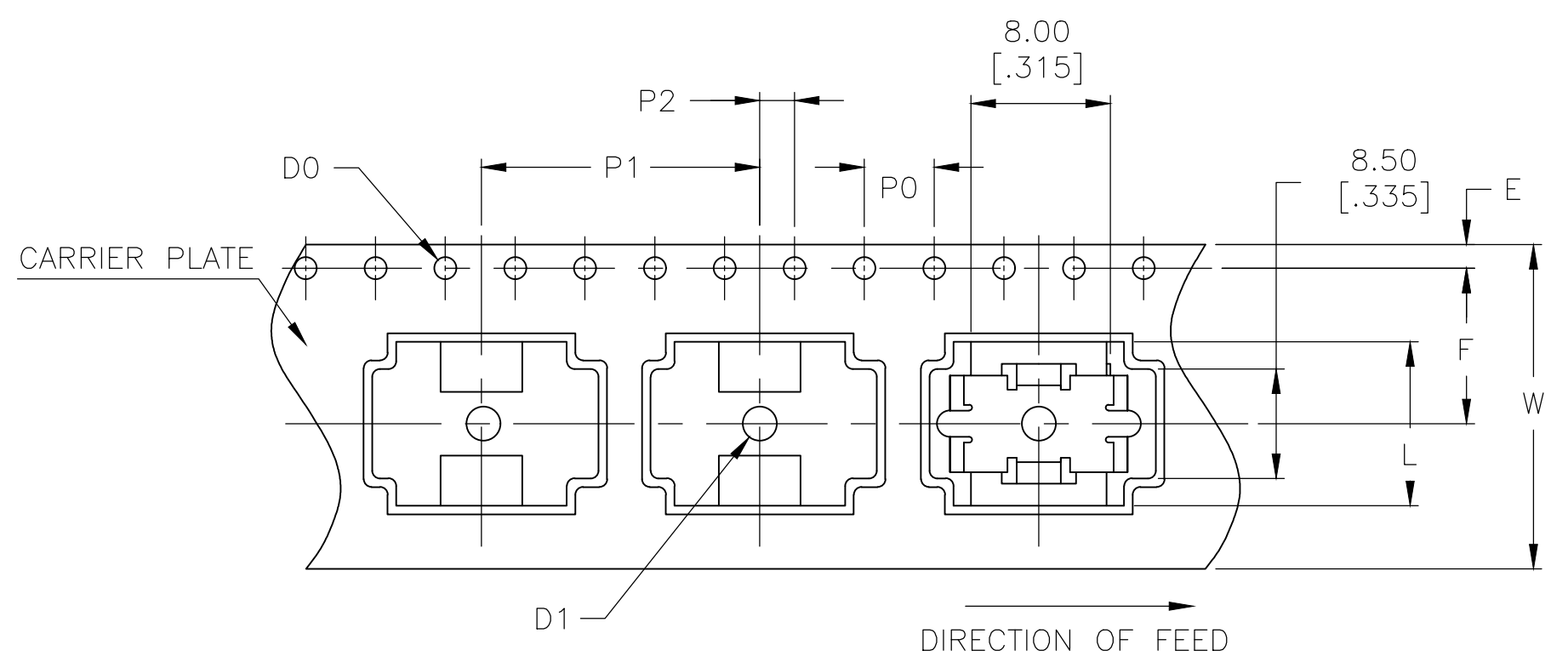
THIS DRAWING IS A CONTROLLED DOCUMENT. DWN: B.S.VISWESWARA 10FEB05  
 CHK: M.SARVER  
 APVD: M.SARVER  
 PRODUCT SPEC: -  
 APPLICATION SPEC: -  
 MATERIAL: - FINISH: - WEIGHT: -

**STE** TE Connectivity  
 DIP SWITCH, ADE-SMT SERIES

SIZE: A2 CAGE CODE: - DRAWING NO: 1825058 RESTRICTED TO: -  
 SCALE: 4:1 SHEET: 2 OF 3 REV: S5

THIS DRAWING IS UNPUBLISHED. RELEASED FOR PUBLICATION 1825058, 1825058  
 © COPYRIGHT 1825058 By - ALL RIGHTS RESERVED.

REVISIONS					
P	LTR	DESCRIPTION	DATE	DWN	APVD
-	-	SEE SHEET 1	-	-	-



	DESCRIPTION	MATERIAL	DIMENSION	FINISH	REMARKS
1	REEL	SIDE: CARDBOARD CORE: STYLOFOAM	MENTIONED BELOW		
2	EMBOSSSED TAPE	-	MENTIONED BELOW	ANTISTATIC	BLACK
3	TOP COVER TAPE	-	MENTIONED BELOW	ANTISTATIC	TRANSPARENT

4P	ø330.00±2.10 [12.992±.082]	ø100 [3.940]	24.40 +2.00 [.960 +.790]	30.40 [1.997]
NO OF POSITION	A	N (MIN)	W1	W2 (MAX)

4P	ø1.50 +0.10 [ø.059+.003]	4.00±0.10 [.157±.003]	16.00±0.10 [.629±.003]	2.00±0.15 [.078±.005]	11.50±0.10 [.453±.003]	7.40±0.10 [.291±.003]
NO OF POSITION	D1	P0	P1	P2	F	K

4P	24.00±0.30 [.944±.011]	12.90±0.10 [.507±.003]	1.75±0.10 [.068±.003]	0.50±0.05 [.020±.001]	12.14±0.50 [.477±.020]	ø1.50+0.10 [ø.059+.003]
NO OF POSITION	W	B	E	T	L	DO

THIS DRAWING IS A CONTROLLED DOCUMENT. DWN: B.S.VISWESWARA 10FEB05  
 CHK: M.SARVER  
 APVD: M.SARVER  
 PRODUCT SPEC: -  
 APPLICATION SPEC: -  
 MATERIAL: - FINISH: - WEIGHT: -  
 CUSTOMER DRAWING

**TE** TE Connectivity  
 DIP SWITCH, ADE-SMT SERIES

SIZE	CAGE CODE	DRAWING NO	RESTRICTED TO
A2	-	1825058	-
SCALE	SHEET	REV	
4:1	3 OF 3	S5	

## X-ON Electronics

Largest Supplier of Electrical and Electronic Components

*Click to view similar products for te connectivity manufacturer:*

Other Similar products are found below :

[570416-000](#) [CLTEQ-M81CE-SSRELAY-4-20V](#) [4-1633138-8](#) [D38999/24FJ4AN](#) [4-1195131-0](#) [650069-000](#) [SMD100-2](#) [2EDL4CM](#)  
[DTS20W19-11PD-3028](#) [DTS20W19-11PD-3028-LC](#) [DTS20W19-32SD-3028-LC](#) [DTS20W19-32SD-3028](#) [NC6-P104-06](#) [TXR64AB90-](#)  
[3616AI](#) [DTS26F21-41HE](#) [DTS26F21-41AE](#) [DTS26F21-41PE-LC](#) [DTS26F21-11SE-3028-LC](#) [D38999/24WF32JE](#) [D38999/24WF32SE-LC](#)  
[DTS24W19-32HE](#) [D38999/20JB35HA](#) [D38999/24WJ20PA](#) [164-8033-08](#) [D38999/24FF32JE](#) [D38999/24FF32SE-LC](#) [D38999/24WF32JB](#)  
[D38999/24WG11HA](#) [D38999/24WG11HN](#) [MS27467T21F11H](#) [DJT16E21-11HA](#) [DTS24F19-32HE](#) [DTS20W19-32SA-3028-LC](#) [DTS24F19-](#)  
[11SC-3028-LC](#) [DTS24F19-11SC-3028](#) [DJT14E13-98HB](#) [D38999/20WC8BB](#) [1-330599-5](#) [DTS24F21-41HN-LC](#) [DTS24F21-41HN](#)  
[DTS24F21-41AN](#) [DTS24F21-39HN](#) [DTS24F21-41PN-LC](#) [AFD50-10-6SN-1A-LC](#) [DJT10F17-26HC](#) [DTS24W19-32HB](#) [ACT20JE99HA](#)  
[DJT10E17-26HC](#) [DJT10E17-26HN](#) [DJT10F17-26HA](#)