

MATERIALS		
COMPONENT NAME	BASE MATERIAL	FINISH
CASE	LCP, BLACK, UL94 V-0	
TERMINAL, WIRE LUG (GOLD)	BRASS	GOLD OVER NICKEL
TERMINAL, PC & RA (GOLD)	BRASS	GOLD OVER NICKEL IN CONTACT AREA, TIN OVER NICKEL IN SOLDER AREA
TERMINAL, VRA (GOLD)	BRASS	GOLD OVER NICKEL IN CONTACT AREA, TIN OVER NICKEL IN SOLDER AREA
TERMINAL, WIRE LUG (SILVER)	SILVER CLAD COPPER	SILVER OVER NICKEL
TERMINAL, PC (SILVER)	SILVER CLAD COPPER	SILVER OVER NICKEL
CONTACT (GOLD)	COPPER ALLOY OR BRASS	GOLD OVER NICKEL
CONTACT (SILVER)	SILVER CLAD COPPER OR COPPER	SILVER OVER NICKEL
FRAME	STEEL	TIN OVER COPPER
SPRING	MUSIC WIRE	
PLUNGER BUTTON	NYLON 6/6, BLACK, RED OR BLUE, UL94 HB (EXTENDED) OR UL94V-2 (FLUSH)	
SUPPORT BRACKET (RA*ES VERSIONS ONLY)	BRASS	TIN OVER COPPER
SUPPORT BRACKET VRA (B&C BUSHINGS ONLY)	STEEL	TIN OVER COPPER
BUSHING	BRASS	NICKLE OVER COPPER
MOUNTING NUT	BRASS	NICKEL
LOCKWASHER	STEEL	NICKEL
ES HOUSING	NYLON 6/6, NATURAL, UL94 V-2	
ES BOOT	VINYL PLASTISOL, BLACK	

PART NUMBER MATRIX									
MODEL	ACTUATOR	POLES	RATING	FUNCTION	PLATING	TERMINATIONS	PROCESS SEAL	BUTTON COLOR	04
TPC	BLANK=EXTENDED	1	1=GOLD .4VA	C=SPST MOMENTARY	G=GOLD	BLANK=WIRE LUG	ES=PROCESS SEALED	0=BLACK	
	F=FLUSH 1	2	3=SILVER 1 AMP ²	F=SPDT MOMENTARY	BLANK=SILVER ²	PC=PRINTED CIRCUIT		2=RED	
				M=DPST MOMENTARY		RA=RIGHT ANGLE 3		6=BLUE	
				R=DPDT MOMENTARY		VRA=VERTICAL RIGHT ANGLE			

NOTES:

- AVAILABLE WITH B & C BUSHINGS ONLY
- SILVER ONLY AVAILABLE IN WIRE LUG AND PC TERMINATIONS
- RAES AVAILABLE WITH B & C BUSHING ONLY
- VRA ONLY AVAILABLE IN SINGLE POLE

SPECIFICATIONS	
RATING	GOLD: .4VA MAX. @ 20VDC OR PEAK AS RESISTIVE SILVER: 1A @ 125VAC OR 28 VDC RESISTIVE
INITIAL TERMINATION RESISTANCE	20 MILLIOHMS MAX.
INSULATION RESISTANCE	1,000 MEGOHMS MIN @ 500 VDC
DIELECTRIC STRENGTH	1,000 VOLTS RMS AT SEA LEVEL
TIMING	BREAK BEFORE MAKE
PLUNGER TRAVEL	.030
ACTUATION FORCE	50 TO 400 GRAMS
LIFE EXPECTANCY	.4 VA, 1 POLE: 100,000 .4 VA, 2 POLES: 80,000 1 A, 1 POLE: 60,000 1 A, 2 POLES: 50,000
OPERATING TEMPERATURE	-30°C TO +65°C
STORAGE TEMPERATURE	-30°C TO +65°C
TERMINAL SEAL	SINGLE POLE: EPOXY DOUBLE POLE: EPOXY OPTIONAL

- TERMINAL NUMBERS ARE FOR REFERENCE ONLY AND DO NOT APPEAR ON SWITCHES
 - ALL MATERIALS AND FINISHES COMPLY WITH EU DIRECTIVE 2002/95/EC OF 27JAN2003 (ROHS)
 - DISPOSABLE BOOT SUPPLIED WITH ES VERSIONS. BOOT TO BE PLACED OVER BUSHING BEFORE SOLDER WASHING
- 4 CENTER TERMINAL PRESENT ON DOUBLE THROW SWITCHES ONLY.

	P/N	ALCO P/N	FLUSH ACTUATOR	POLES	THROWS	PLATING	TERMINALS	PROCESS SEALED	BUTTON COLOR	FUNCTION				CONNECTED TERMINALS		DIM A
										OFF	MOM	ON	MOM	1-3	4-6	
	1825098-1	TPC11CGPC004	NO	1	1	GOLD	PC	NO	BLACK	OFF	MOM	OFF	OFF	1-3		.133
	1825098-2	TPC11CGRA004	NO	1	1	GOLD	RIGHT ANGLE	NO	BLACK	OFF	MOM	OFF	OFF	1-3		.133
OBSOLETE	1825098-3	TPC11CGRA204	NO	1	1	GOLD	RIGHT ANGLE	NO	RED	OFF	MOM	OFF	OFF	1-3		.133
	1825098-4	TPC11CGVRA004	NO	1	1	GOLD	VRA	NO	BLACK	OFF	MOM	OFF	OFF	1-3		N/A
	1825098-5	TPC11FGPC004	NO	1	2	GOLD	PC	NO	BLACK	ON	MOM	OFF	OFF	1-2	2-3	.133
	1825098-6	TPC11FGRA004	NO	1	2	GOLD	RIGHT ANGLE	NO	BLACK	ON	MOM	OFF	OFF	1-2	2-3	.133
	1825098-7	TPC11FGVRA004	NO	1	2	GOLD	VRA	NO	BLACK	ON	MOM	OFF	OFF	1-2	2-3	N/A
	1825098-8	TPC11FGVRA204	NO	1	2	GOLD	VRA	NO	RED	ON	MOM	OFF	OFF	1-2	2-3	N/A
	1825098-9	TPC13C004	NO	1	1	SILVER	WIRE LUG	NO	BLACK	OFF	MOM	OFF	OFF	1-3		.133
	1-1825098-0	TPC13C204	NO	1	1	SILVER	WIRE LUG	NO	RED	OFF	MOM	OFF	OFF	1-3		.133
OBSOLETE	1-1825098-1	TPC13CPC004	NO	1	1	SILVER	PC	NO	BLACK	OFF	MOM	OFF	OFF	1-3		.133
	1-1825098-2	TPC13F004	NO	1	2	SILVER	WIRE LUG	NO	BLACK	ON	MOM	OFF	OFF	1-2	2-3	.133
	1-1825098-3	TPC21MGRA204	NO	2	1	GOLD	RIGHT ANGLE	NO	RED	OFF	MOM	OFF	OFF	1-3, 4-6		N/A
	1-1825098-4	TPC21RGPC004	NO	2	2	GOLD	PC	NO	BLACK	ON	MOM	OFF	OFF	1-2, 4-5	2-3, 5-6	N/A
	1-1825098-5	TPC23M004	NO	2	1	SILVER	WIRE LUG	NO	BLACK	OFF	MOM	OFF	OFF	1-3, 4-6		N/A
	1-1825098-6	TPC23R204	NO	2	2	SILVER	WIRE LUG	NO	RED	ON	MOM	OFF	OFF	1-2, 4-5	2-3, 5-6	N/A
	1-1825098-7	TPCF11CGPC004	YES	1	1	GOLD	PC	NO	BLACK	OFF	MOM	OFF	OFF	1-3		.000
	1-1825098-8	TPCF11CGRA004	YES	1	1	GOLD	RIGHT ANGLE	NO	BLACK	OFF	MOM	OFF	OFF	1-3		.000
OBSOLETE	1-1825098-9	TPCF11FGRA004	YES	1	2	GOLD	RIGHT ANGLE	NO	BLACK	ON	MOM	OFF	OFF	1-2	2-3	.000
	2-1825098-0	TPCF13C004	YES	1	1	SILVER	WIRE LUG	NO	BLACK	OFF	MOM	OFF	OFF	1-3		.000
	2-1825098-1	TPCF13C004	YES	1	2	SILVER	WIRE LUG	NO	BLACK	ON	MOM	OFF	OFF	1-2	2-3	.000

THIS DRAWING IS A CONTROLLED DOCUMENT. DIM RAGHU 12-5-05

DIMENSIONS: INCHES. TOLERANCES UNLESS OTHERWISE SPECIFIED:

0 PLC	± .01
1 PLC	± .01
2 PLC	± .01
3 PLC	± .010
4 PLC	± .01

ANGLES: ± .5°

MATERIAL: - FINISH: -

WEIGHT: -

APVD: - NAME: -

PRODUCT SPEC: -

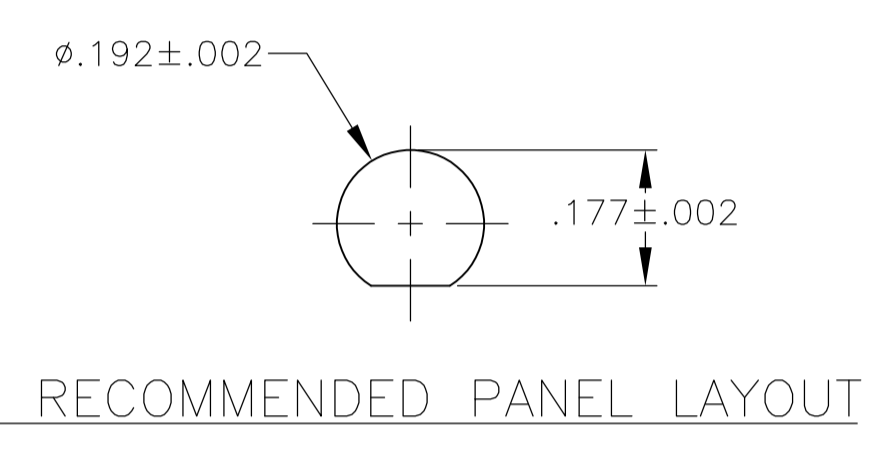
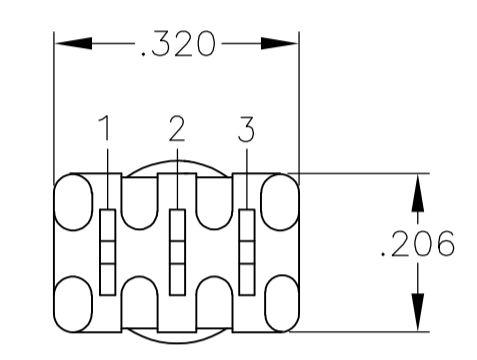
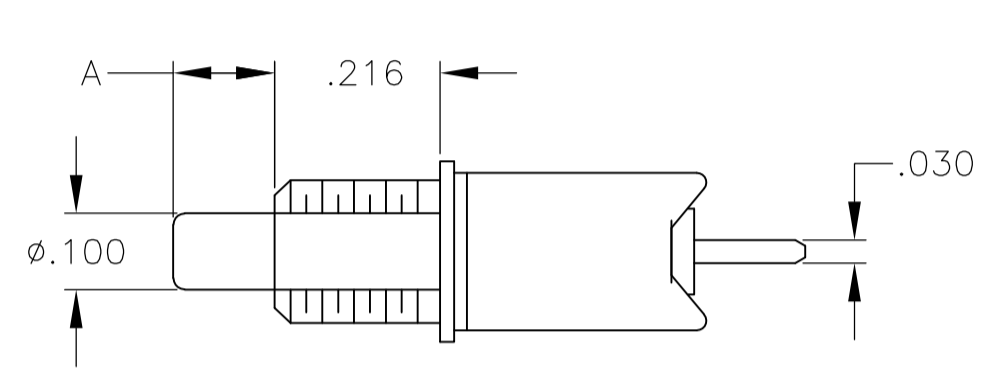
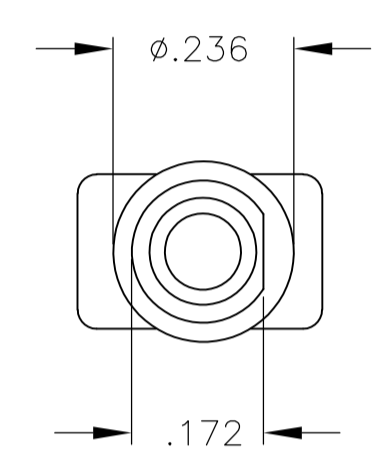
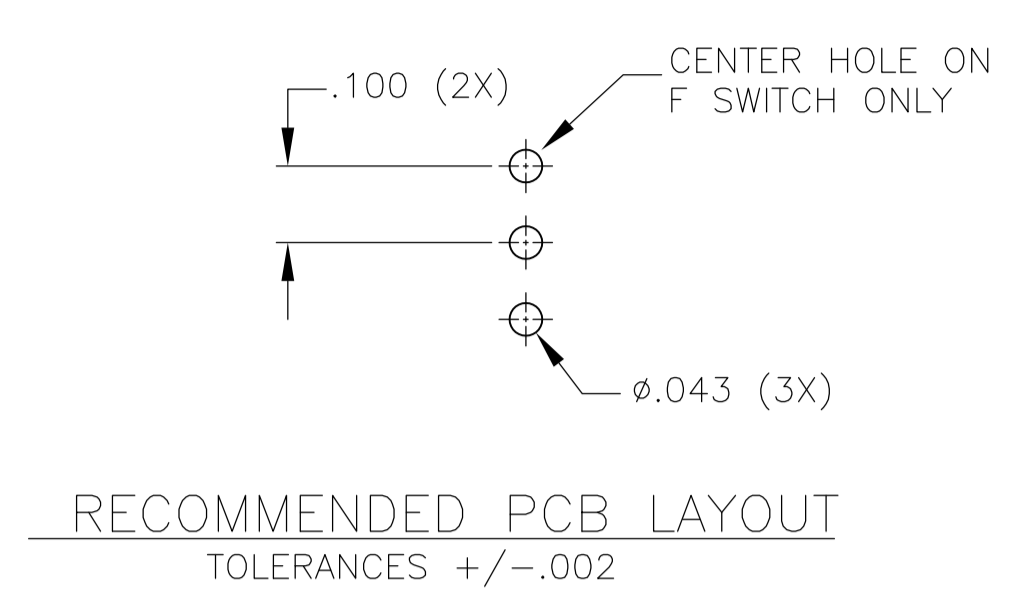
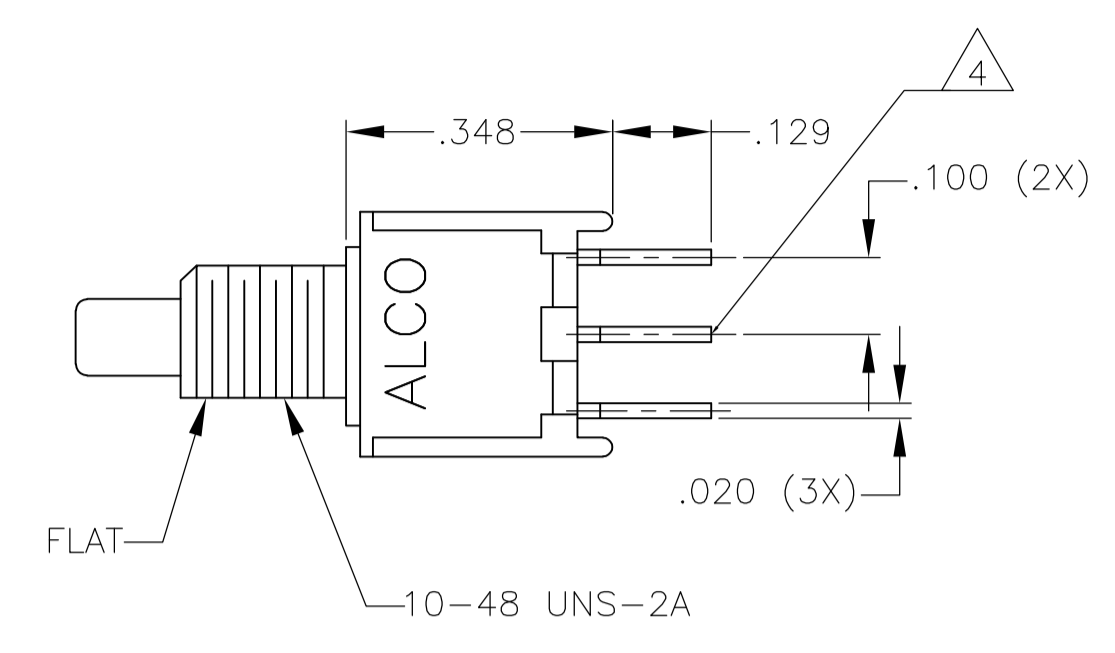
APPLICATION SPEC: -

SIZE: A1 CASE CODE: 00779 DRAWING NO: 1825098 RESTRICTED TO: -

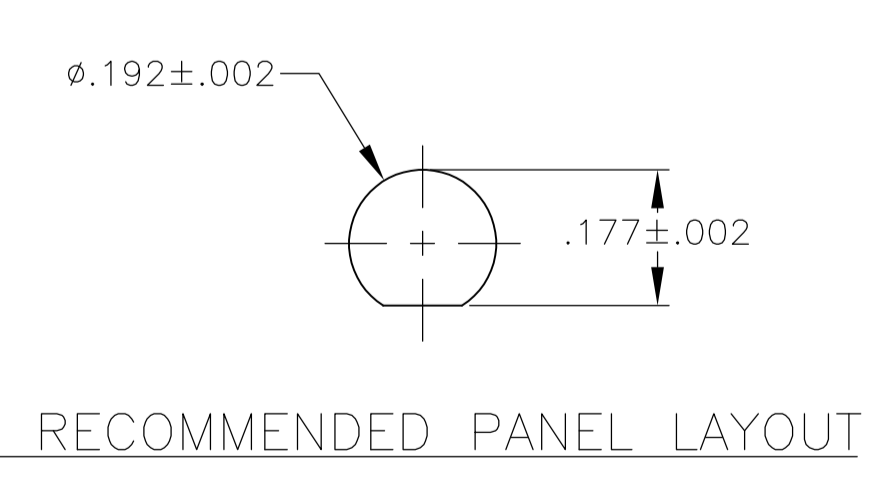
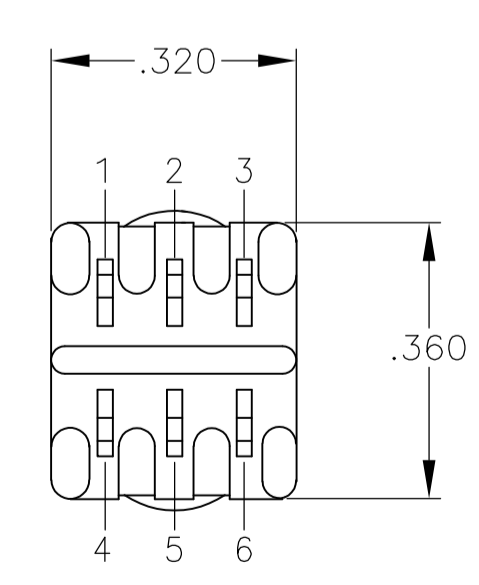
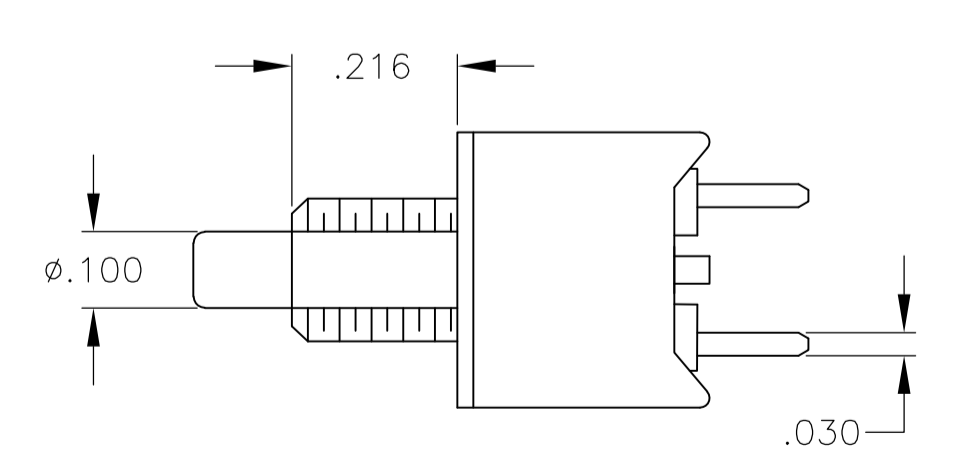
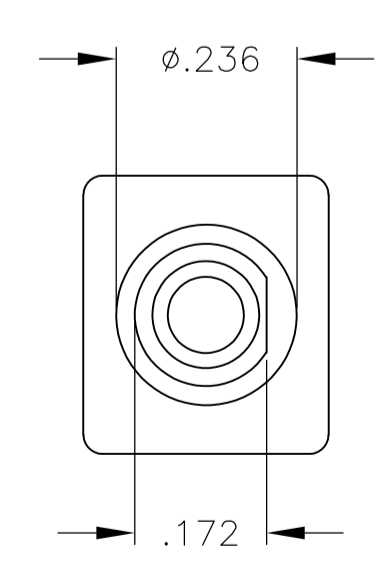
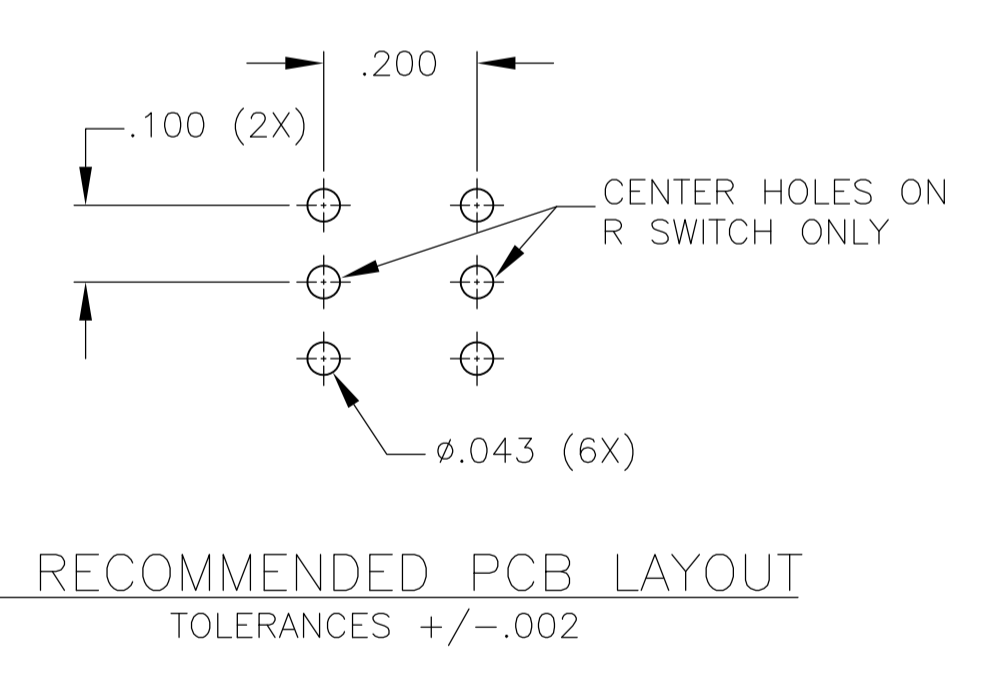
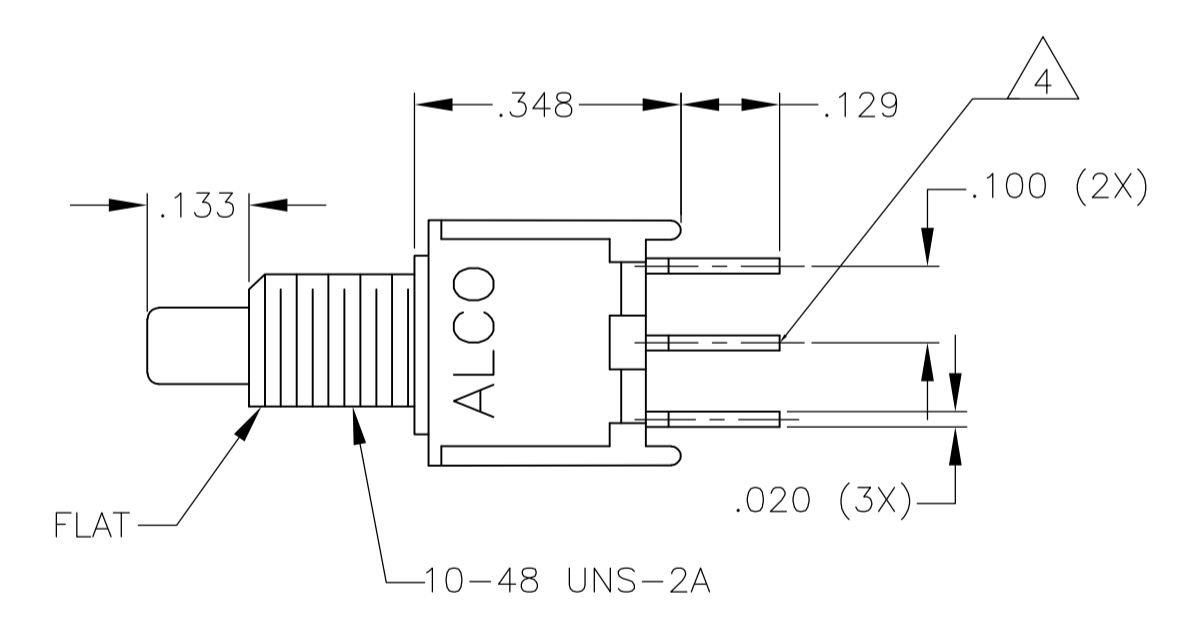
CUSTOMER DRAWING SCALE: 4:1 SHEET 1 OF 5 REV: A2

STE TE Connectivity

PUSHBUTTON SWITCH, TPC SERIES

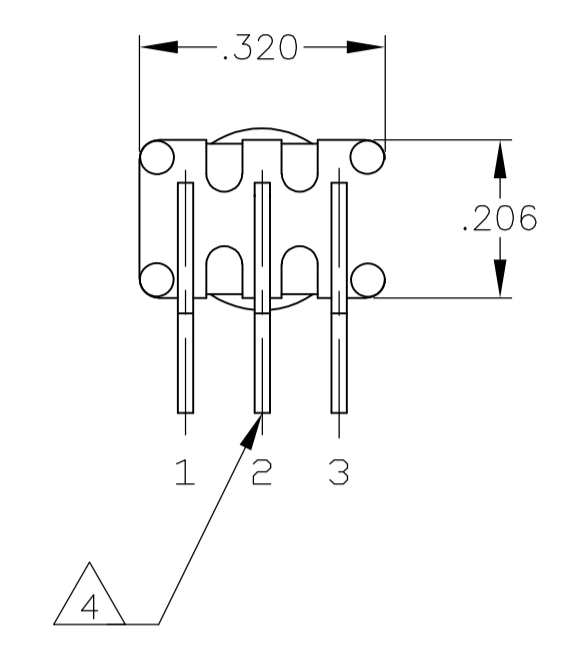
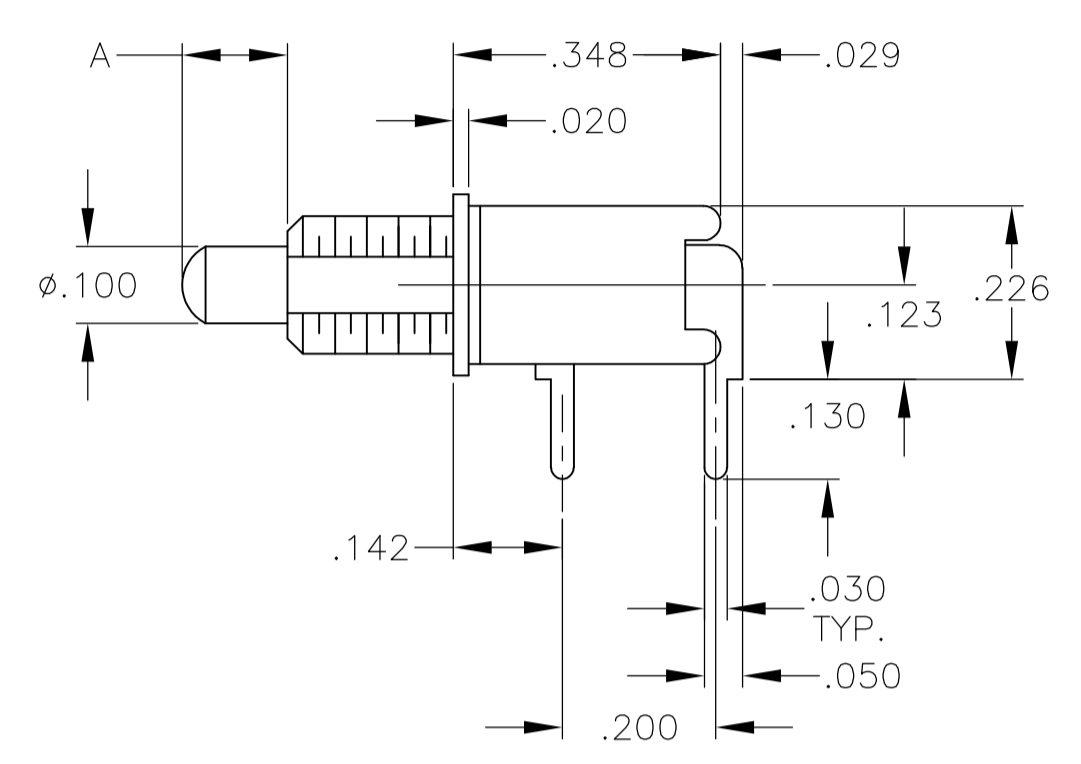
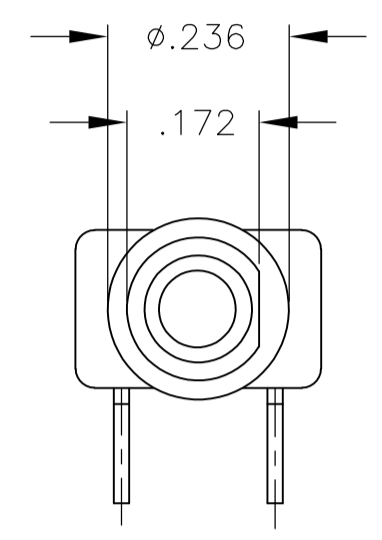
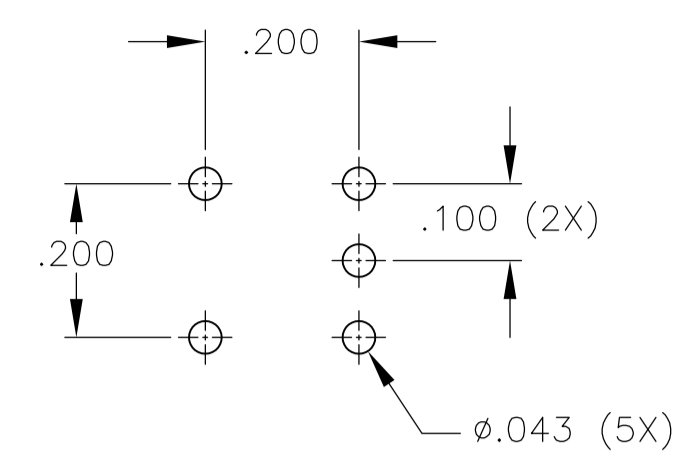
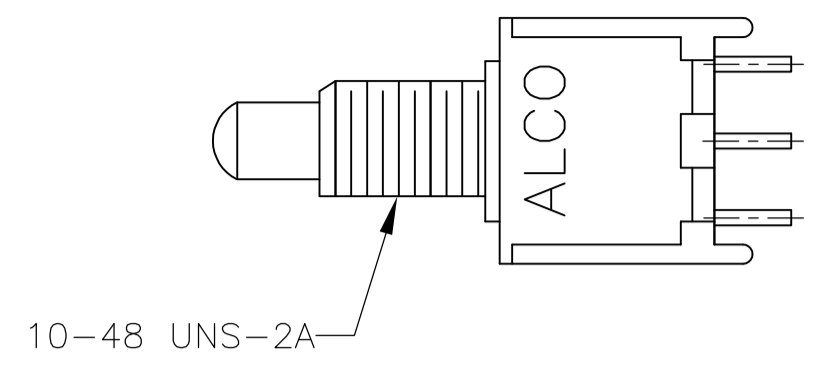


TPC11CGPC, TPC11FGPC
 TPCF11CGPC, TPC13CPC

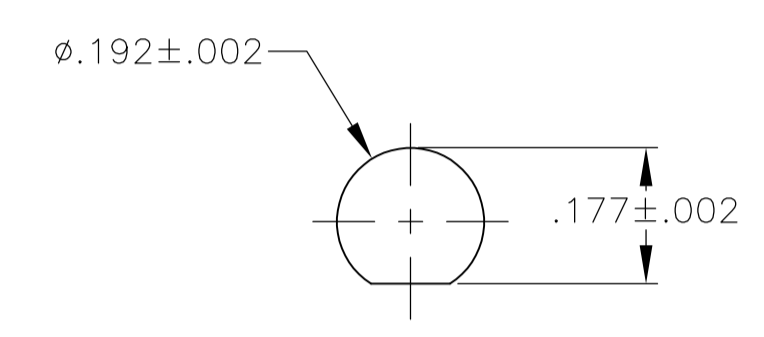


TPC21RGPC

THIS DRAWING IS A CONTROLLED DOCUMENT.		OWN: RAGHU	12-5-05	TE Connectivity	
DIMENSIONS: INCHES		CHK: -	APVD: -	NAME: PUSHBUTTON SWITCH, TPC SERIES	
TOLERANCES UNLESS OTHERWISE SPECIFIED:		PRODUCT SPEC: -		RESTRICTED TO: -	
0 PLC ± - 1 PLC ± - 2 PLC ± - 3 PLC ± .010 4 PLC ± - ANGLES ± 3° FINISH -		APPLICATION SPEC: -		SIZE: A1	
MATERIAL: -		WEIGHT: -		CAGE CODE: 00779	
		CUSTOMER DRAWING		DRAWING NO: 1825098	
		SCALE: 4:1		SHEET 2 OF 5	
				REV: A2	

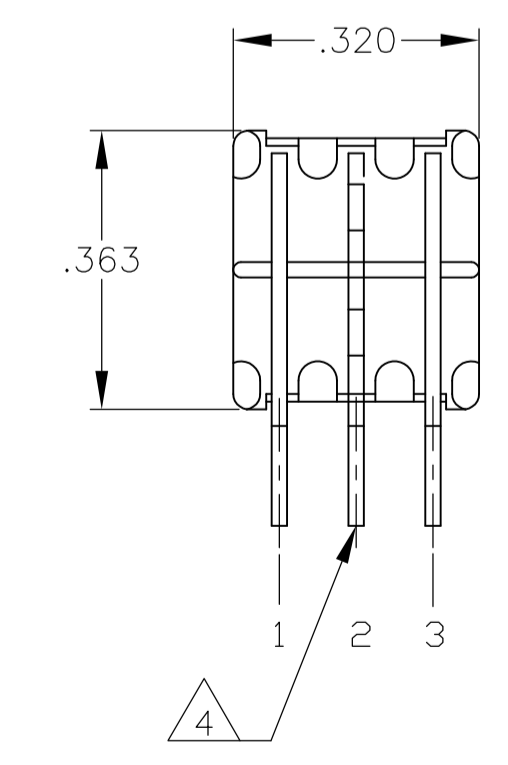
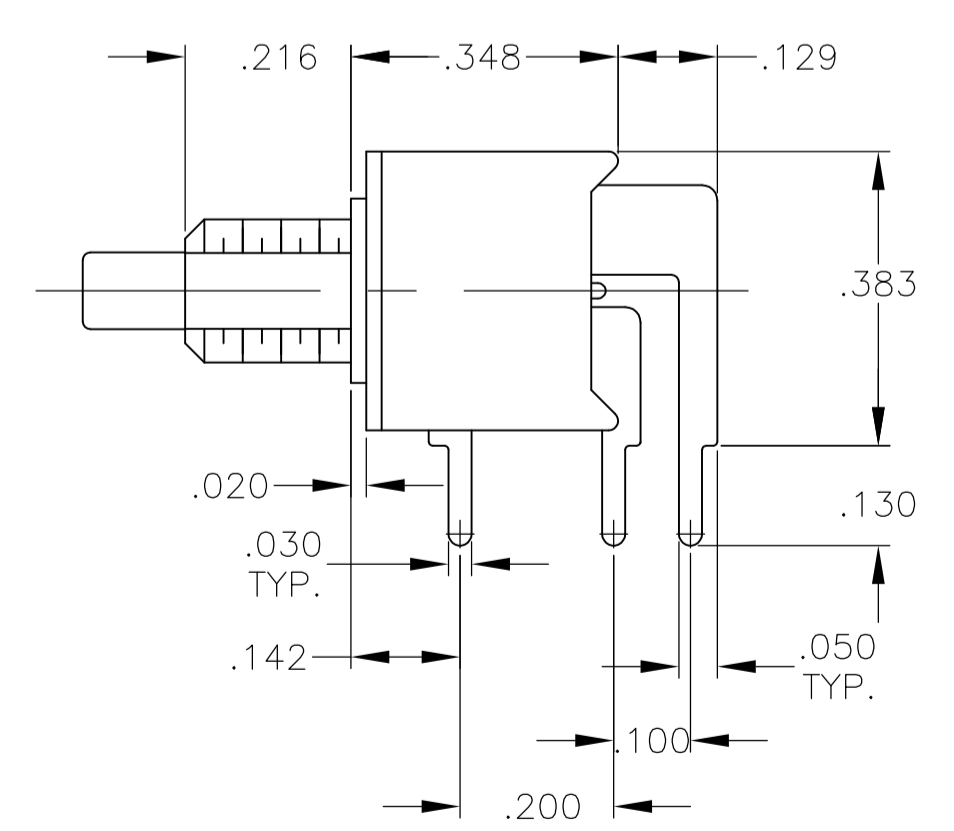
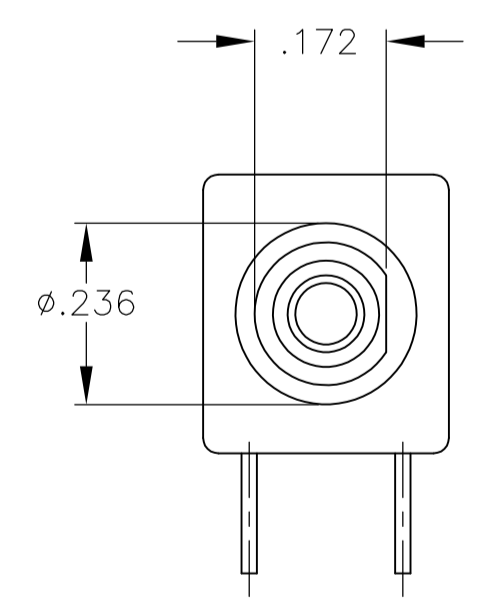
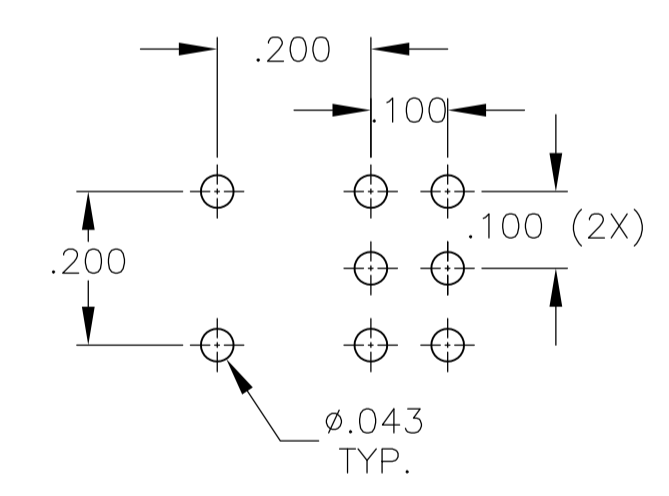
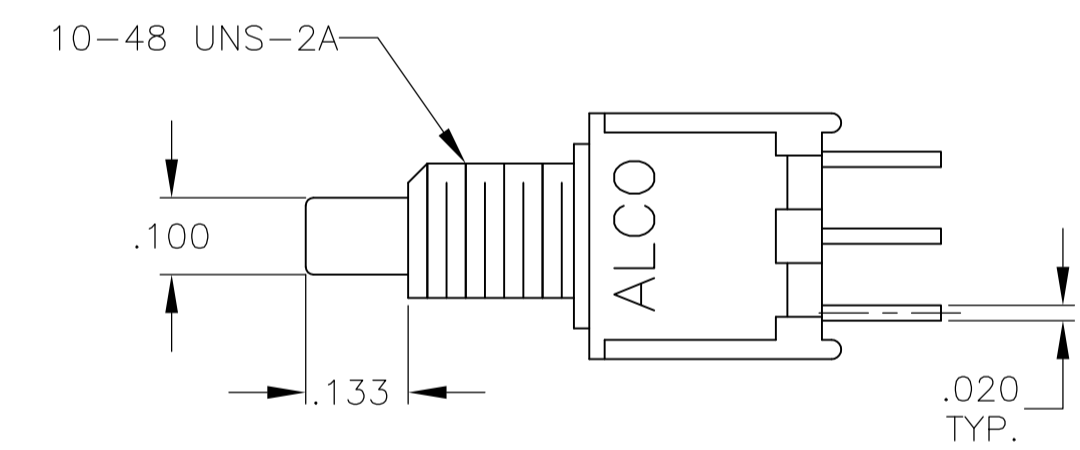


RECOMMENDED PCB LAYOUT
TOLERANCES +/- .002

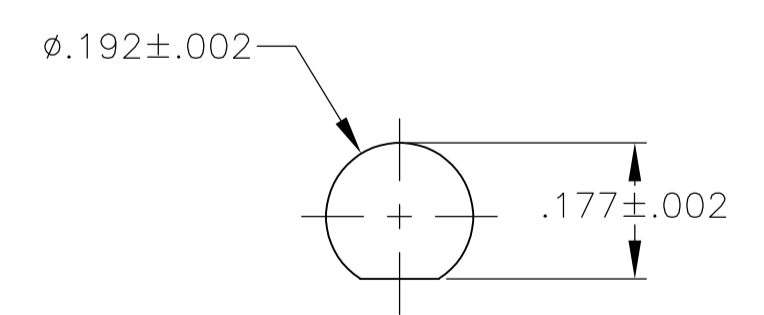


RECOMMENDED PANEL LAYOUT

TPC11CGRA, TPC11FGRA
TPCF11CGRA, TPCF11FGRA



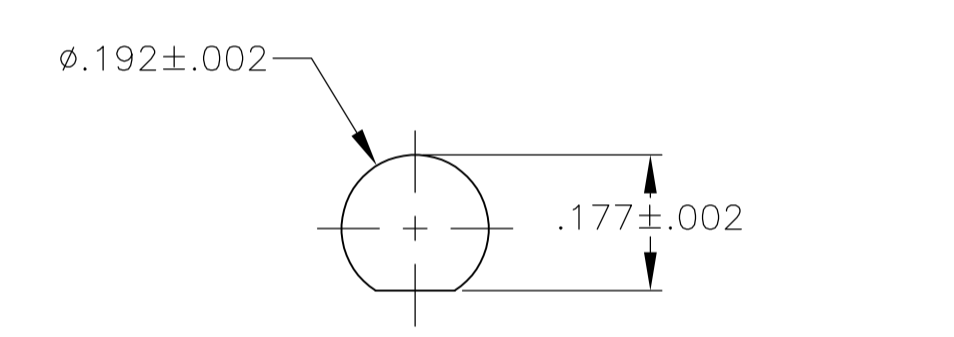
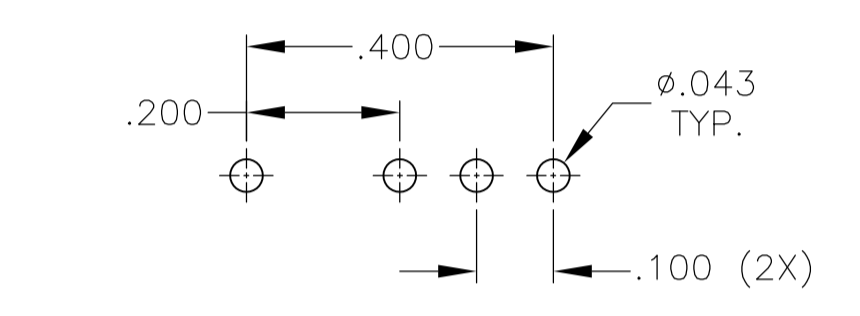
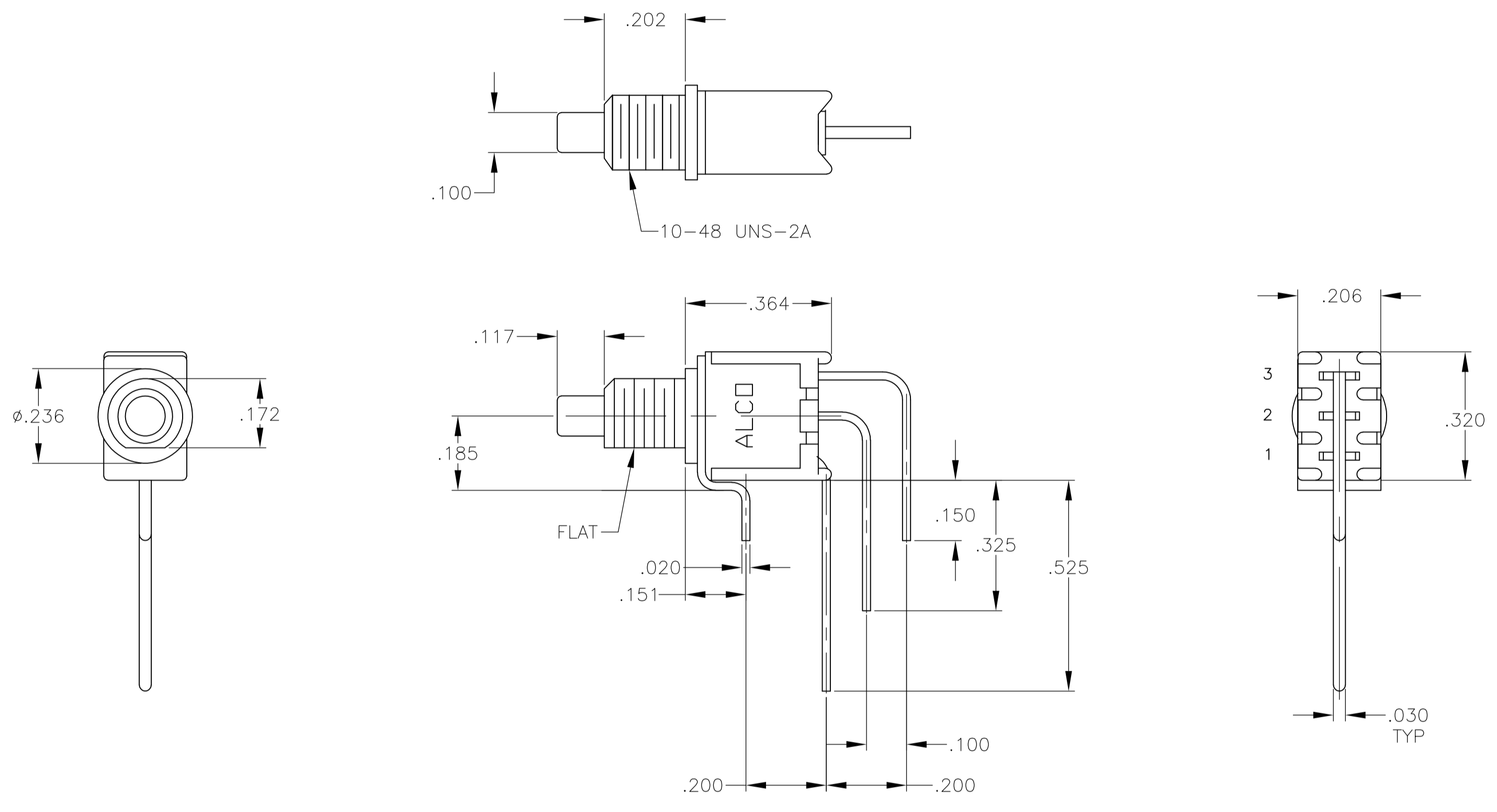
RECOMMENDED PCB LAYOUT
TOLERANCES +/- .002



RECOMMENDED PANEL LAYOUT

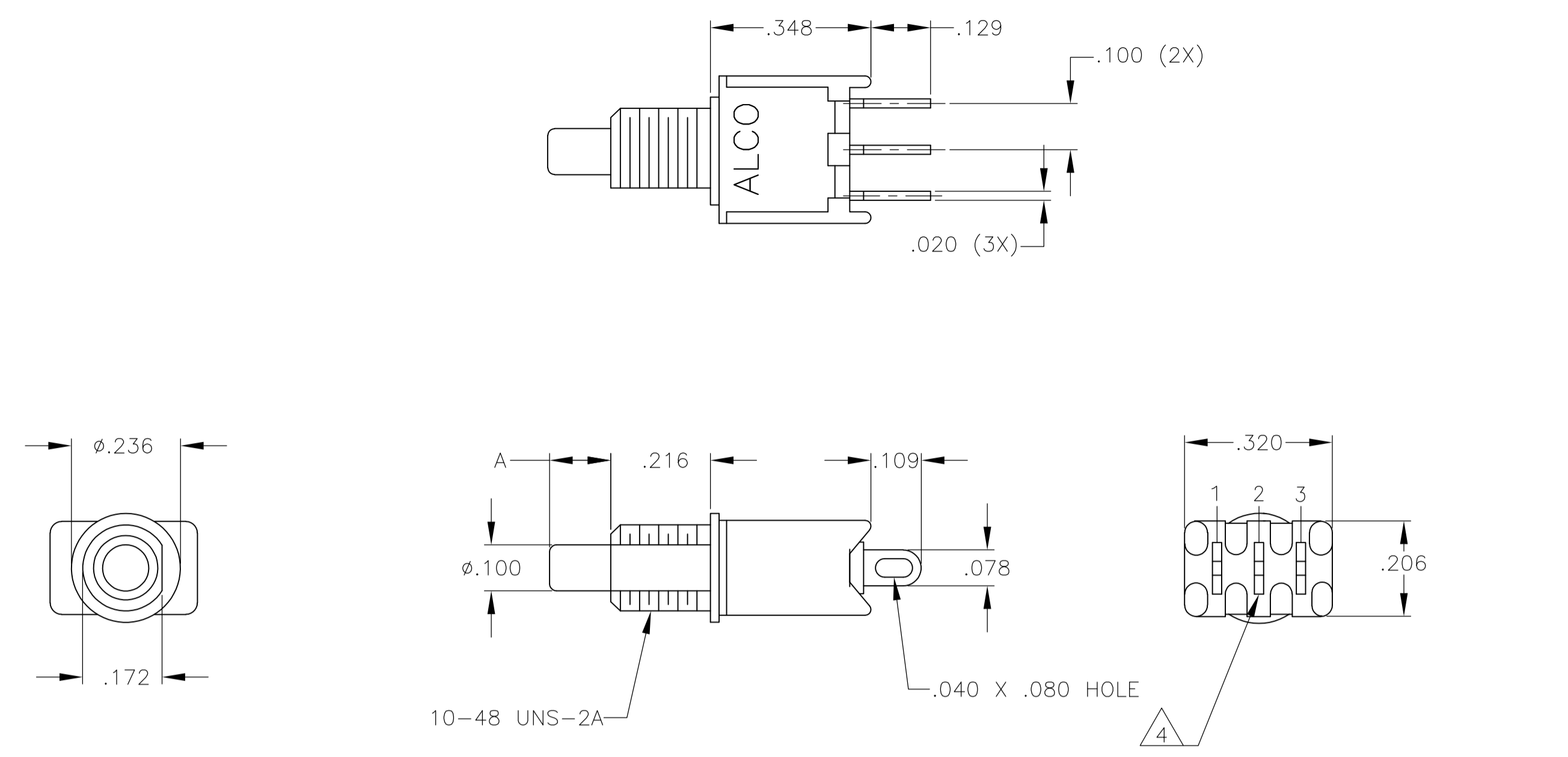
TPC21MGRA

THIS DRAWING IS A CONTROLLED DOCUMENT.		DIN	12-5-05	STE TE Connectivity	
DIMENSIONS: INCHES		CHK	RAGHU	NAME	
TOLERANCES UNLESS OTHERWISE SPECIFIED:		APVD		PRODUCT SPEC	
0 PL	± .010	APPLICATION SPEC		PUSHBUTTON SWITCH, TPC SERIES	
1 PL	± .010	SIZE		RESTRICTED TO	
2 PL	± .010	CAGE CODE		A1 00779	
3 PL	± .010	DRAWING NO		1825098	
4 PL	± .010	WEIGHT		CUSTOMER DRAWING	
ANGLES	± .5°	SCALE		4:1	
MATERIAL		SHEET		3 OF 5	
FINISH		REV		A2	

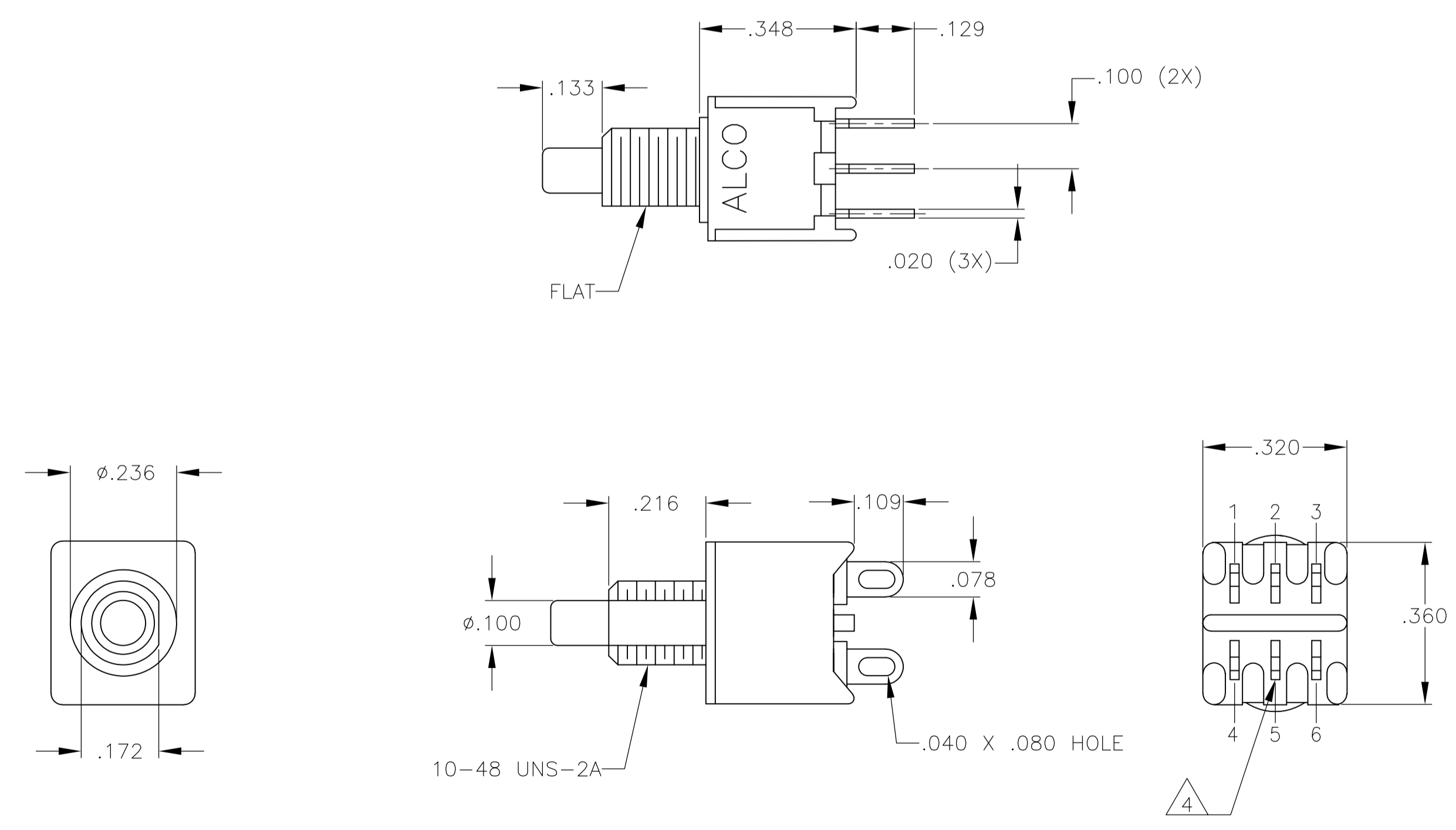
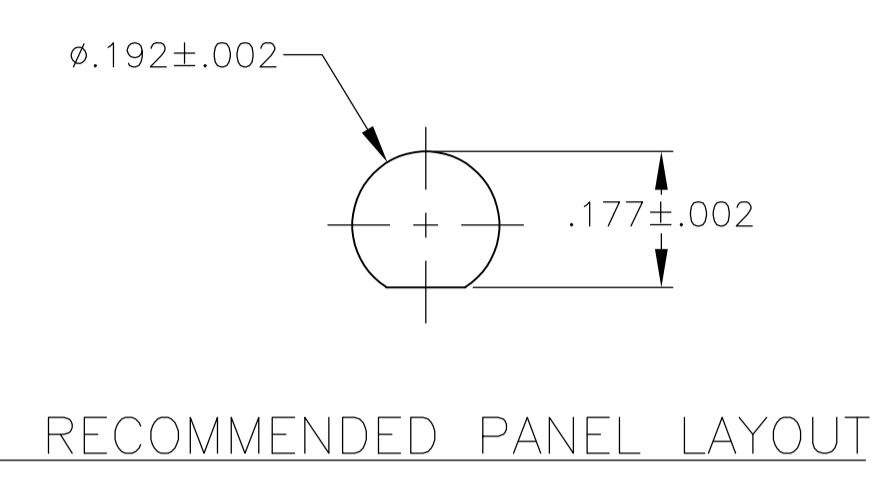


TPC11CGVRA, TPC11FGVRA

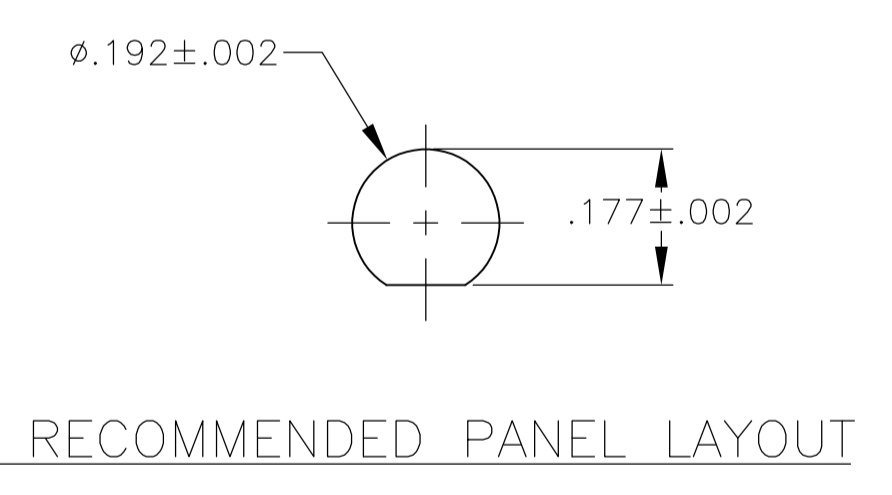
THIS DRAWING IS A CONTROLLED DOCUMENT.		DWN	12-5-05	TE Connectivity																						
DIMENSIONS: INCHES		CHK	-	PUSHBUTTON SWITCH, TPC SERIES																						
TOLERANCES UNLESS OTHERWISE SPECIFIED:		APVD	-	RESTRICTED TO																						
<table border="1"> <tr><td>0. PLC</td><td>±</td><td>-</td></tr> <tr><td>1. PLC</td><td>±</td><td>-</td></tr> <tr><td>2. PLC</td><td>±</td><td>-</td></tr> <tr><td>3. PLC</td><td>±</td><td>.010</td></tr> <tr><td>4. PLC</td><td>±</td><td>-</td></tr> <tr><td>ANGLES</td><td>±</td><td>3°</td></tr> <tr><td>FINISH</td><td>-</td><td>-</td></tr> </table>		0. PLC	±	-	1. PLC	±	-	2. PLC	±	-	3. PLC	±	.010	4. PLC	±	-	ANGLES	±	3°	FINISH	-	-	PRODUCT SPEC	-	SIZE	A1
0. PLC	±	-																								
1. PLC	±	-																								
2. PLC	±	-																								
3. PLC	±	.010																								
4. PLC	±	-																								
ANGLES	±	3°																								
FINISH	-	-																								
MATERIAL		APPLICATION SPEC	-	CAGE CODE	00779																					
CUSTOMER DRAWING		WEIGHT	-	DRAWING NO	1825098																					
SCALE		4:1	SHEET	4	OF 5																					
REV		-	REV	-	-																					



TPC13C, TPC13F,
TPCF13C, TPC13F



TPC23M, TPC23R



THIS DRAWING IS A CONTROLLED DOCUMENT.		DIN 12-5-05	RAGHU													
DIMENSIONS: INCHES		TOLERANCES UNLESS OTHERWISE SPECIFIED:	APVD													
<table border="1"> <tr><td>0. PLC</td><td>± .010</td></tr> <tr><td>1. PLC</td><td>± .010</td></tr> <tr><td>2. PLC</td><td>± .010</td></tr> <tr><td>3. PLC</td><td>± .010</td></tr> <tr><td>4. PLC</td><td>± .010</td></tr> <tr><td>ANGLES</td><td>± .5°</td></tr> </table>		0. PLC	± .010	1. PLC	± .010	2. PLC	± .010	3. PLC	± .010	4. PLC	± .010	ANGLES	± .5°	PRODUCT SPEC	NAME	
0. PLC	± .010															
1. PLC	± .010															
2. PLC	± .010															
3. PLC	± .010															
4. PLC	± .010															
ANGLES	± .5°															
MATERIAL		APPLICATION SPEC	RESTRICTED TO													
FINISH		WEIGHT	SIZE	CAGE CODE												
			A1	00779												
		CUSTOMER DRAWING	SCALE	4:1												
			SHEET	5 OF 5												
			REV	A2												



PUSHBUTTON SWITCH, TPC SERIES

SIZE: A1 CAGE CODE: 00779 DRAWING NO: 1825098

X-ON Electronics

Largest Supplier of Electrical and Electronic Components

Click to view similar products for [Pushbutton Switches](#) category:

Click to view products by [TE Connectivity](#) manufacturer:

Other Similar products are found below :

[LW1L-M1C10V-A](#) [LW2L-A1C20M-GD](#) [LW2L-M1C20M-A](#) [60324L](#) [M7E-HRN2](#) [67021K512](#) [67081K512X](#) [701PB580](#) [719-5504-000](#)
[MDPSSGLFS](#) [810KSV30B](#) [FLT 2U EE 01A](#) [MML21KA3ABK](#) [MML23KA3AC05K-001](#) [MML23KW3AA01W](#) [8418K2](#) [8646AB6X718UL](#)
[8646ABUL](#) [FSDWH](#) [9001KXRK](#) [9001T8BK](#) [9533CD4+U574+U4922](#) [1203MRA](#) [A22EM01S](#) [A595](#) [12037A2ULCSA](#) [1203A2UL](#)
[ABD122N-B](#) [1211390004](#) [ABN111-Y](#) [ABN400-R](#) [1211500044](#) [1211580012](#) [1212MRA](#) [1232A6NF](#) [1241.1183.7047](#) [1241.2511](#) [1241.3428](#)
[1223A2ULCSA](#) [1223MRA](#) [1232AX2119](#) [1241.1183.8000](#) [1241.1183.8029](#) [1241.2506](#) [1241.2606](#) [12MA6](#) [1301940184](#)
[RELBARF6X10\(PLASTIC\)](#) [13435AG](#) [13440AD2G25X822+U4546](#)