

Component name	Base material	Finish
Case	LCP, black, UL94 V-0	
Terminal, wire lug (gold)	Brass	Gold over nickel
Terminal, PC & RA (gold)	Brass	Gold over nickel in contact area, Tin over nickel in solder area
Terminal, VRA (gold)	Brass	Gold over nickel in contact area, Tin over nickel in solder area
Terminal, wire lug (silver)	Silver clad copper	Silver over nickel
Terminal, PC (silver)	Silver clad copper	Silver over nickel
Contact (gold)	Copper alloy or brass	Gold over nickel
Contact (silver)	Silver clad copper or copper	Silver over nickel
Frame	Steel	Tin over copper
Spring	Music wire	
Plunger Button	Nylon 6/6, black, red or blue. UL94 HB (extended) or UL94V-2 (flush)	
Support bracket (RA*ES versions only)	Brass	Tin over copper
Support bracket, VRA (B & C bushings only)	Steel	Tin over copper
Bushing	Brass	Nickel over copper
Mounting Nut	Brass	Nickel
Lockwasher	Steel	Nickel
ES Housing	Nylon 6/6, natural, UL94 V-2	
ES boot	Vinyl plastisol, black	

Model	Actuator	Poles	Rating	Function	Plating	Terminations	Process Seal	Button color	04
TPD									04
	Blank = extended	1	1 = Gold .4VA	C = SPST momentary	G = Gold	Blank = Wire lug	ES= process sealed	0 = Black	
		2	3 = Silver 1 Amp	F = SPDT momentary	Blank = Silver	PC = printed circuit		2 = Red	
				M = DPST momentary		RA = right angle		6 = Blue	
				R = DPDT momentary		VRA = vertical right angle			

Notes:  
 1. Silver only available in wire lug and pc terminations  
 2. RAES available with B and C bushing only  
 3. VRA only available in single pole

Specifications	
Rating	Gold: .4VA max. @ 20VDC or peak AC resistive Silver: 1 A @ 125VAC or 28 VDC resistive
Initial termination resistance	20 milliohms max.
Insulation resistance	1,000 Megohms min @ 500 VDC
Dielectric strength	1,000 volts RMS at sea level
Timing	Break before make
Plunger travel	.030
Actuation force	50 to 400 grams
Life expectancy	.4 VA, 1 pole: 100,000 .4 VA, 2 poles: 80,000 1 A, 1 pole: 60,000 1 A, 2 poles: 50,000
Operating temperature	-30° C to +65° C
Storage temperature	-30° C to +65° C
Terminal seal	Single pole: epoxy Double pole: epoxy optional

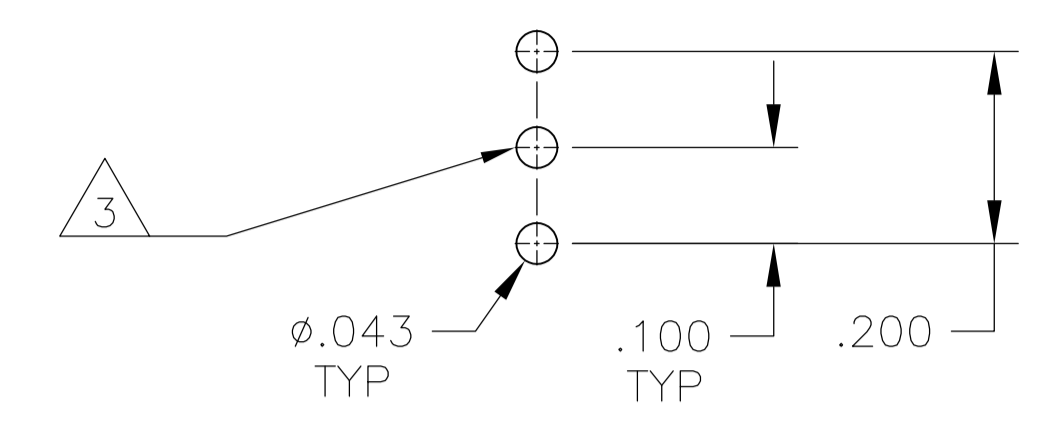
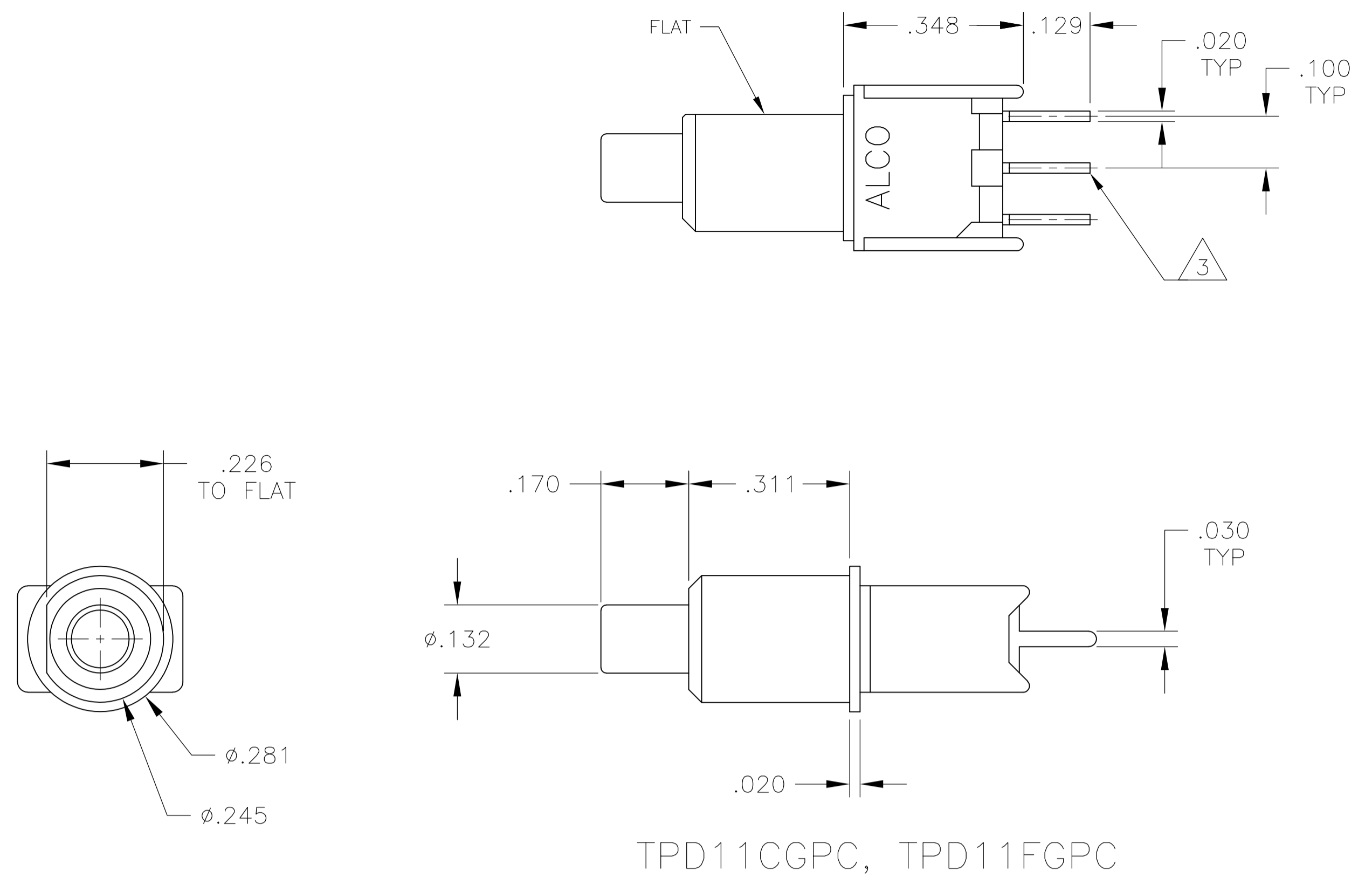
- TERMINAL NUMBERS ARE FOR REFERENCE ONLY AND DO NOT APPEAR ON SWITCHES
- ALL MATERIALS AND FINISHES COMPLY WITH EU DIRECTIVE 2002/95/EC OF 27JAN2003 (ROHS).
- CENTER TERMINAL PRESENT ON DOUBLE THROW SWITCHES ONLY.
- DISPOSABLE BOOT SUPPLIED WITH ES VERSIONS. BOOT TO BE PLACED OVER BUSHING BEFORE SOLDER WASHING

TE P/N	Alco P/N	Poles	Throws	Plating	Terminals	Process sealed?	Button Color	Function		Connected Terminals	
								ALCO	ALCO	ALCO	ALCO
1825099-1	TPD11CGPC004	1	1	Gold	PC	No	Black	Off	Mom	Off	1-3
<del>1825099-2</del>	<del>TPD11CGPC204</del>	<del>1</del>	<del>1</del>	<del>Gold</del>	<del>PC</del>	<del>No</del>	<del>Red</del>	<del>Off</del>	<del>Mom</del>	<del>Off</del>	<del>1-3</del>
1825099-3	TPD11CGRA004	1	1	Gold	Right Angle	No	Black	Off	Mom	Off	1-3
<del>1825099-4</del>	<del>TPD11CGRA204</del>	<del>1</del>	<del>1</del>	<del>Gold</del>	<del>Right Angle</del>	<del>No</del>	<del>Red</del>	<del>Off</del>	<del>Mom</del>	<del>Off</del>	<del>1-3</del>
<del>1825099-5</del>	<del>TPD11CGRA604</del>	<del>1</del>	<del>1</del>	<del>Gold</del>	<del>Right Angle</del>	<del>No</del>	<del>Blue</del>	<del>Off</del>	<del>Mom</del>	<del>Off</del>	<del>1-3</del>
<del>1825099-6</del>	<del>TPD11FGPC004</del>	<del>1</del>	<del>2</del>	<del>Gold</del>	<del>PC</del>	<del>No</del>	<del>Black</del>	<del>On</del>	<del>Mom</del>	<del>1-2</del>	<del>2-3</del>
<del>1825099-7</del>	<del>TPD11FGRA004</del>	<del>1</del>	<del>2</del>	<del>Gold</del>	<del>Right Angle</del>	<del>No</del>	<del>Black</del>	<del>On</del>	<del>Mom</del>	<del>1-2</del>	<del>2-3</del>
<del>1825099-8</del>	<del>TPD11FGRA204</del>	<del>1</del>	<del>2</del>	<del>Gold</del>	<del>Right Angle</del>	<del>No</del>	<del>Red</del>	<del>On</del>	<del>Mom</del>	<del>1-2</del>	<del>2-3</del>
<del>1825099-9</del>	<del>TPD21MGRA004</del>	<del>2</del>	<del>1</del>	<del>Gold</del>	<del>Right Angle</del>	<del>No</del>	<del>Black</del>	<del>Off</del>	<del>Mom</del>	<del>Off</del>	<del>1-3, 4-6</del>
<del>1825099-0</del>	<del>TPD21RGPC004</del>	<del>2</del>	<del>2</del>	<del>Gold</del>	<del>PC</del>	<del>No</del>	<del>Black</del>	<del>On</del>	<del>Mom</del>	<del>1-2, 4-5</del>	<del>2-3, 5-6</del>

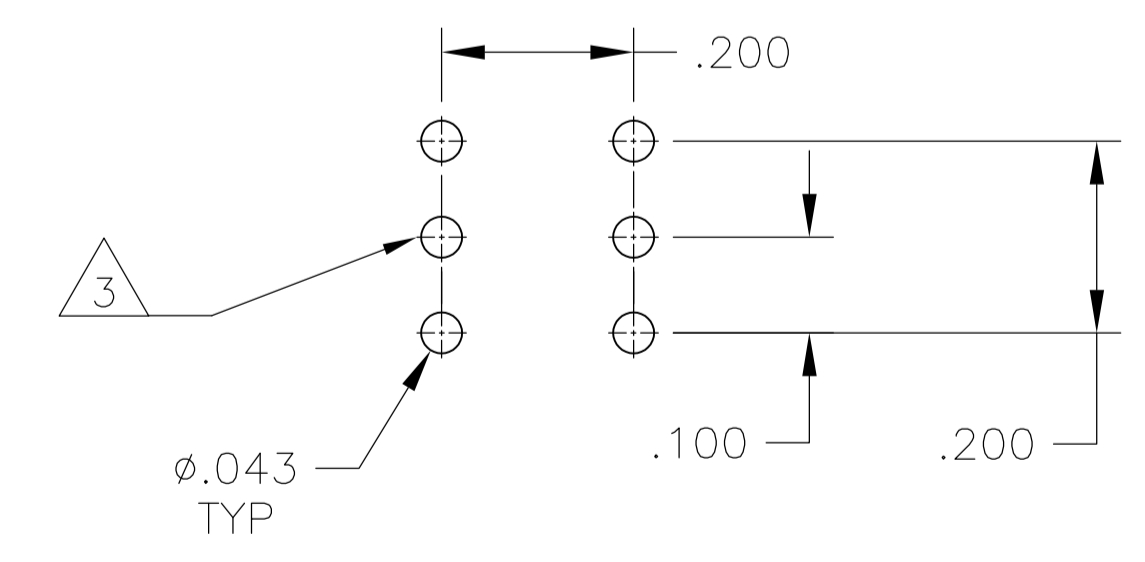
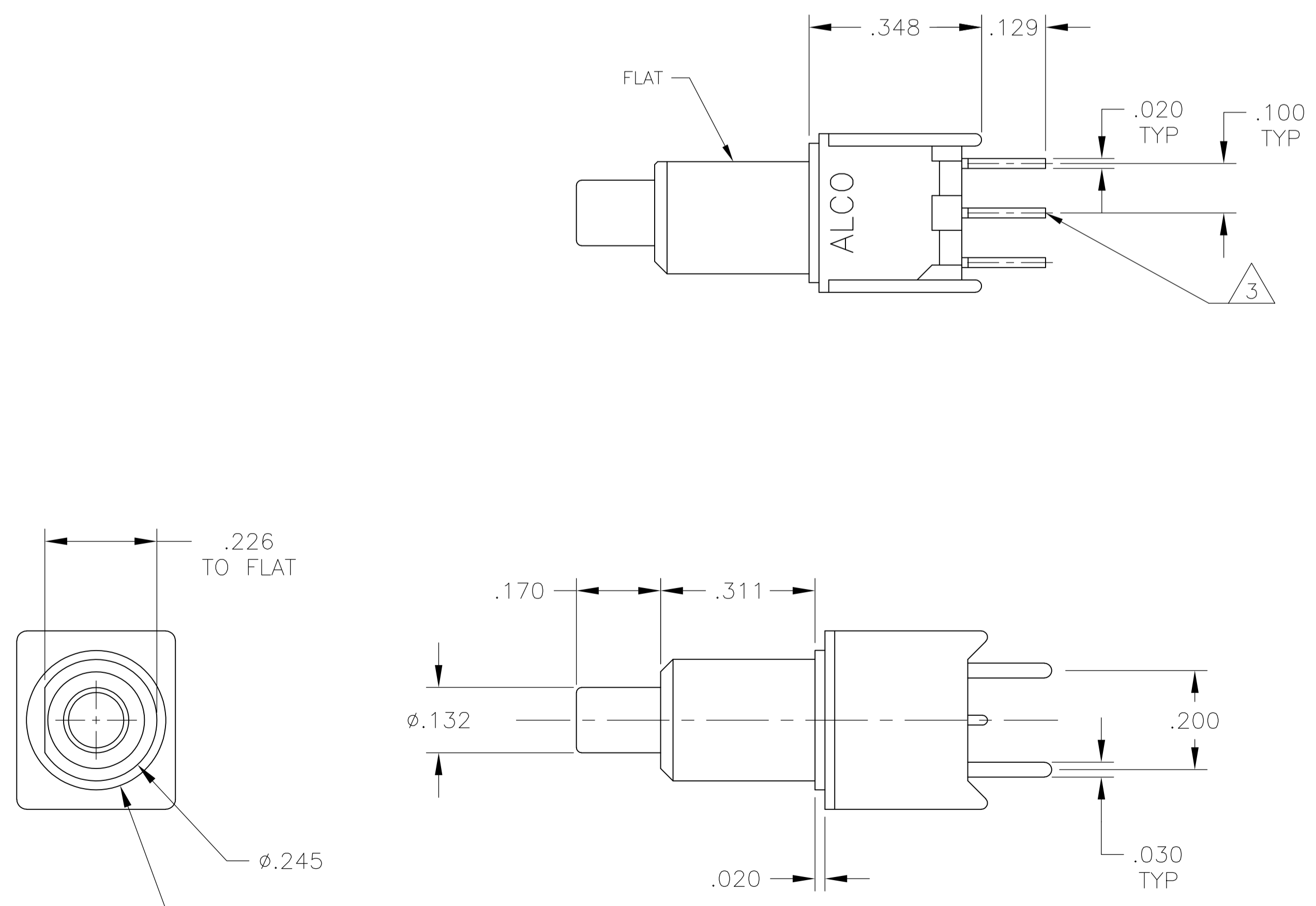
THIS DRAWING IS A CONTROLLED DOCUMENT. DIMENSIONS: INCHES. TOLERANCES UNLESS OTHERWISE SPECIFIED: 0 PLC ± .010, 1 PLC ± .010, 2 PLC ± .010, 3 PLC ± .010, 4 PLC ± .010, ANGLES ± .010. MATERIAL: -. FINISH: -. WEIGHT: -. CUSTOMER DRAWING. SCALE: 4:1. SHEET 1 OF 3. REV B.

DIN M. BINNER 21SEP05  
 CHK: M. ZITTO 21SEP05  
 APD: M. ZITTO 21SEP05  
 NAME: M. ZITTO  
 PRODUCT SPEC: PUSHBUTTON SWITCH, TPD SERIES  
 APPLICATION SPEC: A100779C=1825099  
 SIZE: A100779C=1825099  
 RESTRICTED TO: -

LOC		DIST		REVISIONS			
P	LTR	DESCRIPTION	DATE	DWN	APVD		
-	-	SEE SHEET 1	-	-	-	-	-



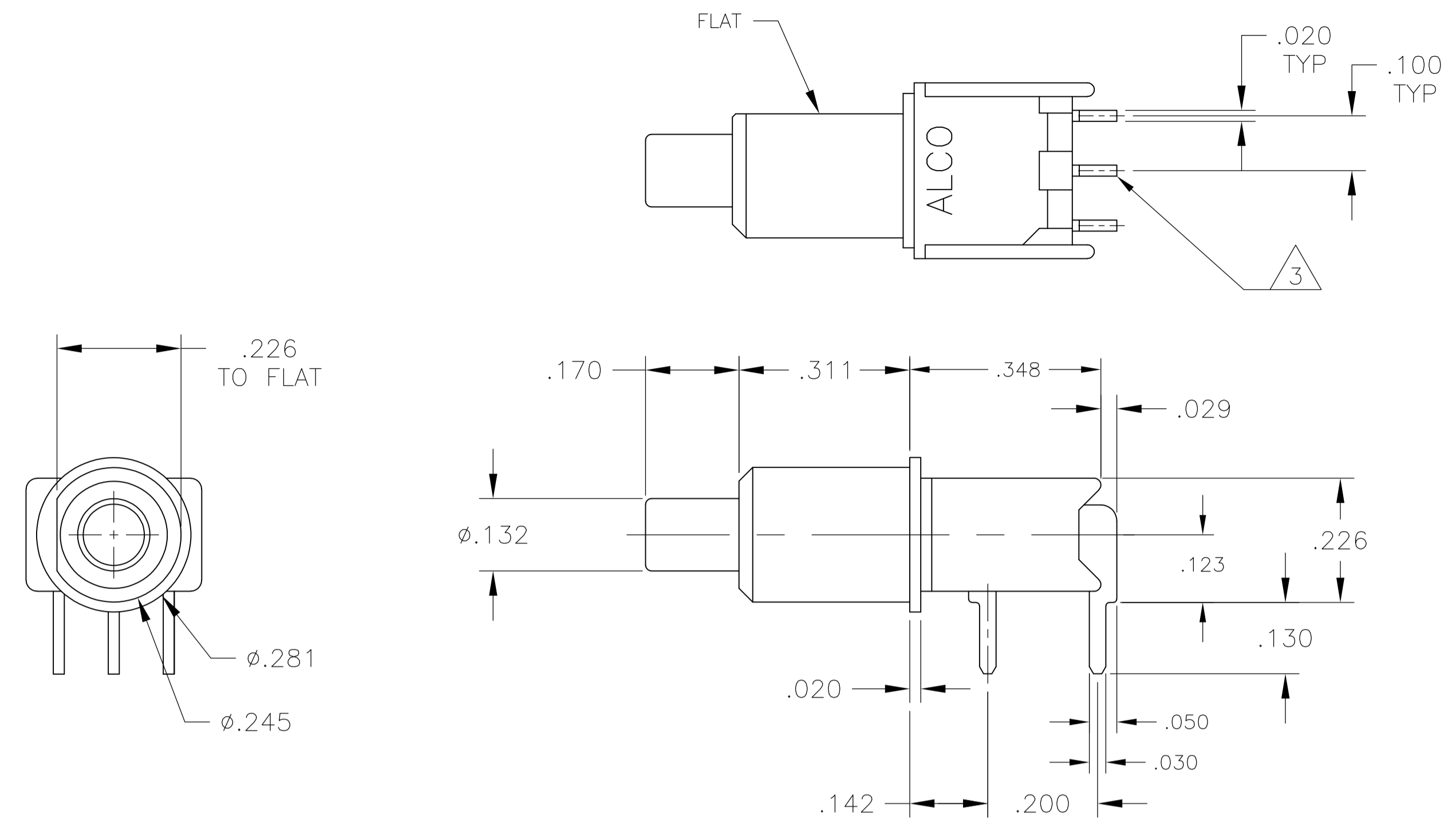
PCB HOLE LAYOUT



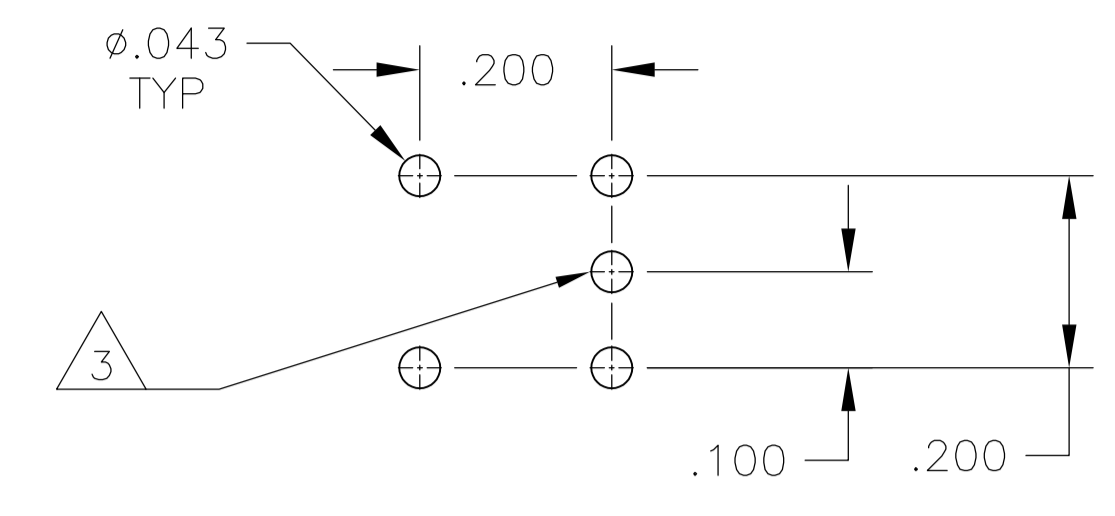
PCB HOLE LAYOUT

THIS DRAWING IS A CONTROLLED DOCUMENT.		DWN M. BINNER	21SEP05	TE Connectivity	
DIMENSIONS: INCHES		CHK M. ZITTO	21SEP05		
TOLERANCES UNLESS OTHERWISE SPECIFIED:		NAME M. ZITTO		PRODUCT SPEC	
0. PLC ± - 1. PLC ± - 2. PLC ± - 3. PLC ± .010 4. PLC ± - ANGLES ± - FINISH -		APPLICATION SPEC		PUSHBUTTON SWITCH, TPD SERIES	
MATERIAL		SIZE A1	CAGE CODE 00779	DRAWING NO. 1825099	RESTRICTED TO
CUSTOMER DRAWING		SCALE 4:1	SHEET 2	OF 3	REV B

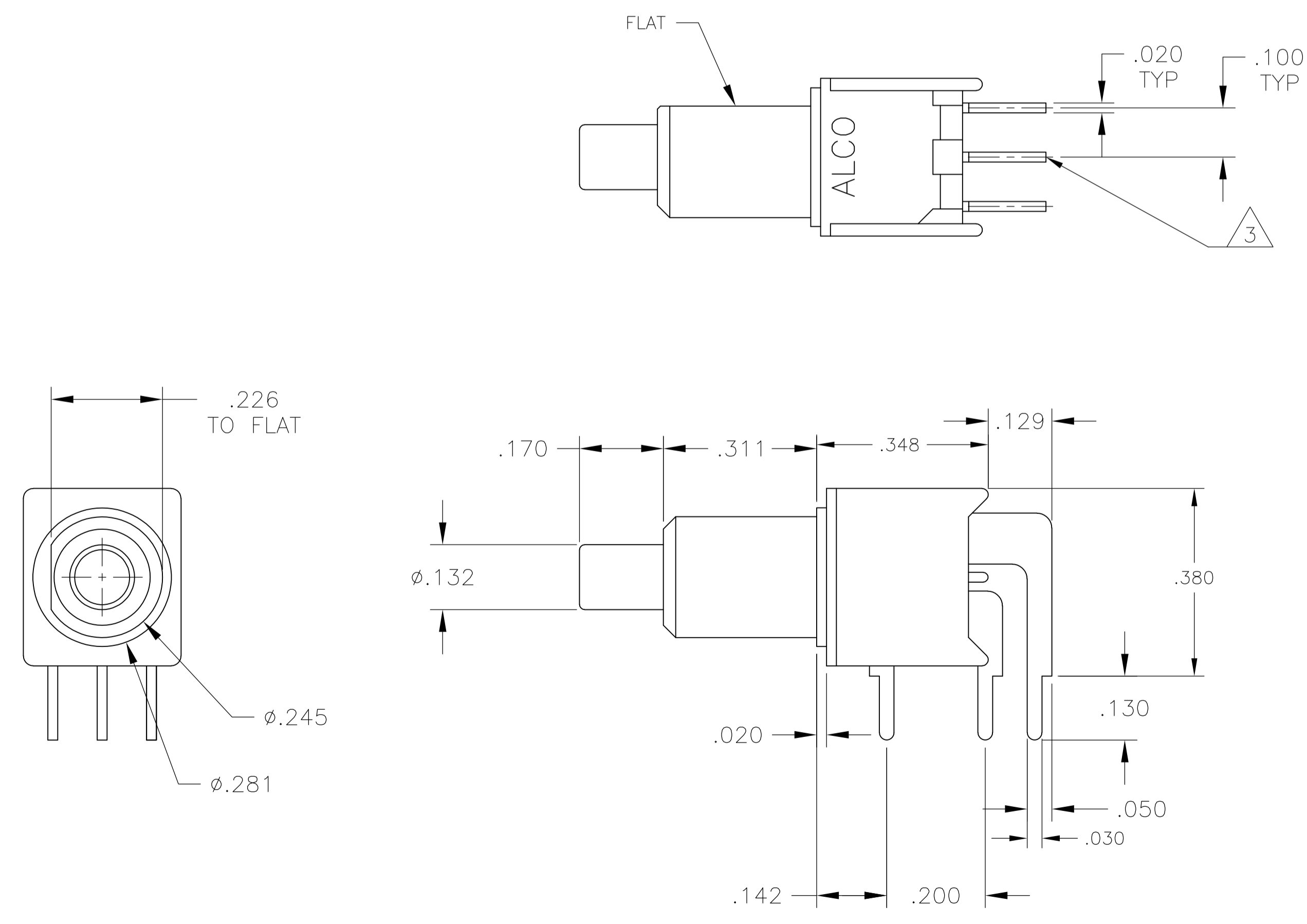
LOC		DIST		REVISIONS			
AD		P	LTR	DESCRIPTION	DATE	DWN	APVD
				SEE SHEET 1			



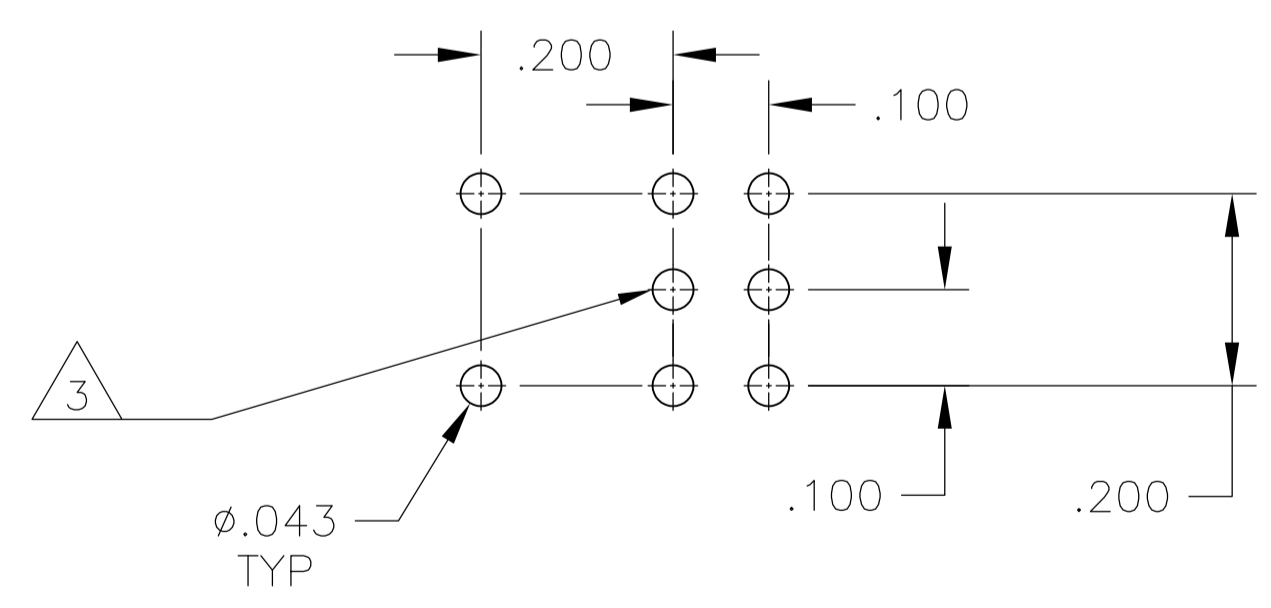
TPD11CGRA, TPD11FGRA



PCB HOLE LAYOUT



TPD21MGRA



PCB HOLE LAYOUT

THIS DRAWING IS A CONTROLLED DOCUMENT.		DWN	M. BINNER	21SEP05	
DIMENSIONS: INCHES		CHK	M. ZITTO	21SEP05	
TOLERANCES UNLESS OTHERWISE SPECIFIED:		APP'D	M. ZITTO	21SEP05	NAME
0. PLC	± .010	PRODUCT SPEC		PUSHBUTTON SWITCH, TPD SERIES	
1. PLC	± .010	APPLICATION SPEC		SIZE: CAGE CODE: DRAWING NO. RESTRICTED TO	
2. PLC	± .010	MATERIAL		A1 00779 ©=1825099	
3. PLC	± .010	FINISH		CUSTOMER DRAWING	
4. PLC	± .010	SCALE		4:1	
ANGLES	± .010	SHEET		3 OF 3	
		REV		B	

## X-ON Electronics

Largest Supplier of Electrical and Electronic Components

*Click to view similar products for [Pushbutton Switches](#) category:*

*Click to view products by [TE Connectivity](#) manufacturer:*

Other Similar products are found below :

[LW1L-M1C10V-A](#) [LW2L-A1C20M-GD](#) [LW2L-M1C20M-A](#) [60324L](#) [M7E-HRN2](#) [67021K512](#) [67081K512X](#) [701PB580](#) [719-5504-000](#)  
[MDPSSGLFS](#) [810KSV30B](#) [MML21KA3ABK](#) [MML23KA3AC05K-001](#) [MML23KW3AA01W](#) [8418K2](#) [8646AB6X718UL](#) [8646ABUL](#)  
[FSDWH](#) [9001KXRK](#) [9001T8BK](#) [9533CD4+U574+U4922](#) [1203MRA](#) [A22EM01S](#) [A595](#) [1202A6](#) [12037A2ULCSA](#) [1203A2UL](#) [ABD122N-](#)  
[B](#) [1211390004](#) [ABN111-Y](#) [ABN400-R](#) [1211500044](#) [1211580012](#) [1212MRA](#) [1232A6NF](#) [RA3CSH6A](#) [1241.1183.7047](#) [1241.2511](#)  
[1241.3428](#) [1223A2ULCSA](#) [1223MRA](#) [1232AX2119](#) [1241.1183.8000](#) [1241.1183.8029](#) [1241.2506](#) [1241.2606](#) [12MA6](#) [1301940184](#)  
[RELBARF6X10\(PLASTIC\)](#) [13435AG](#)