

THIS DRAWING IS UNPUBLISHED. RELEASED FOR PUBLICATION
 © COPYRIGHT - By - ALL RIGHTS RESERVED.

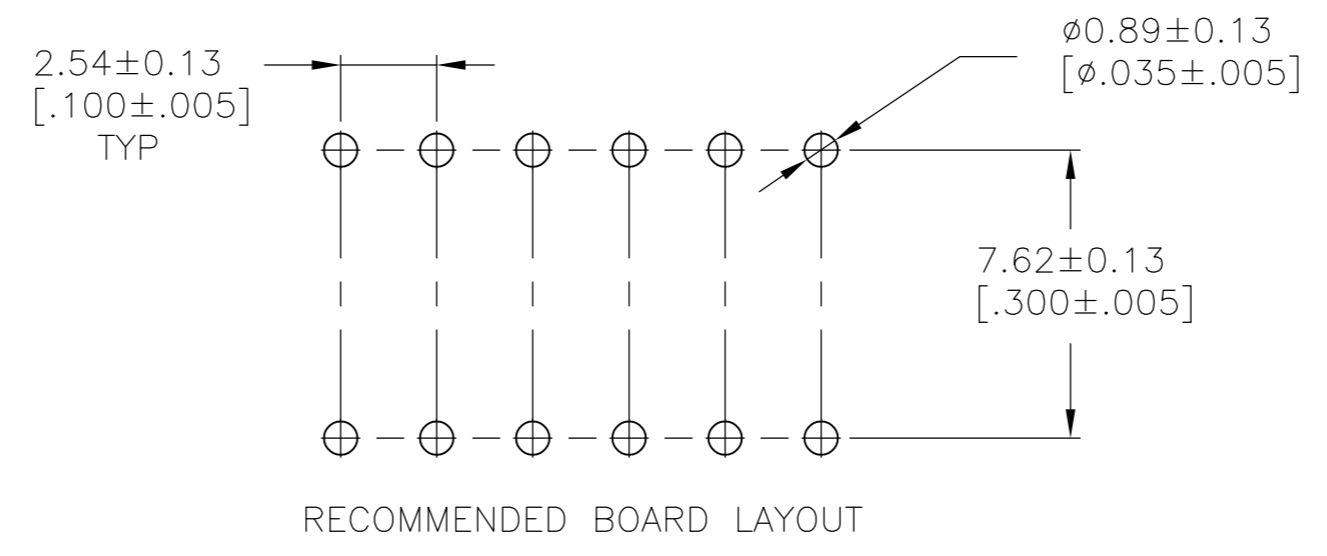
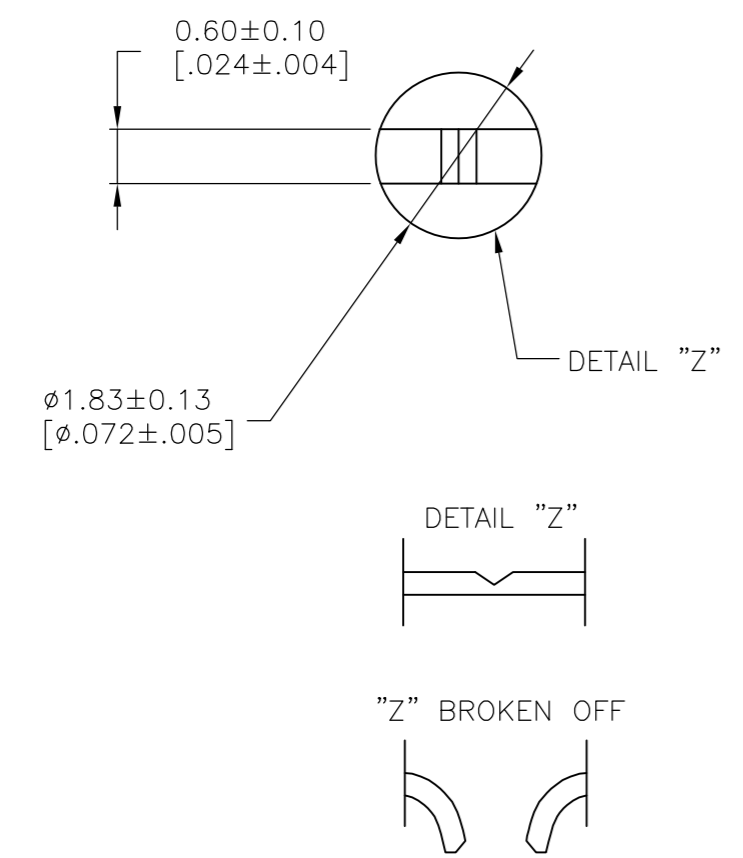
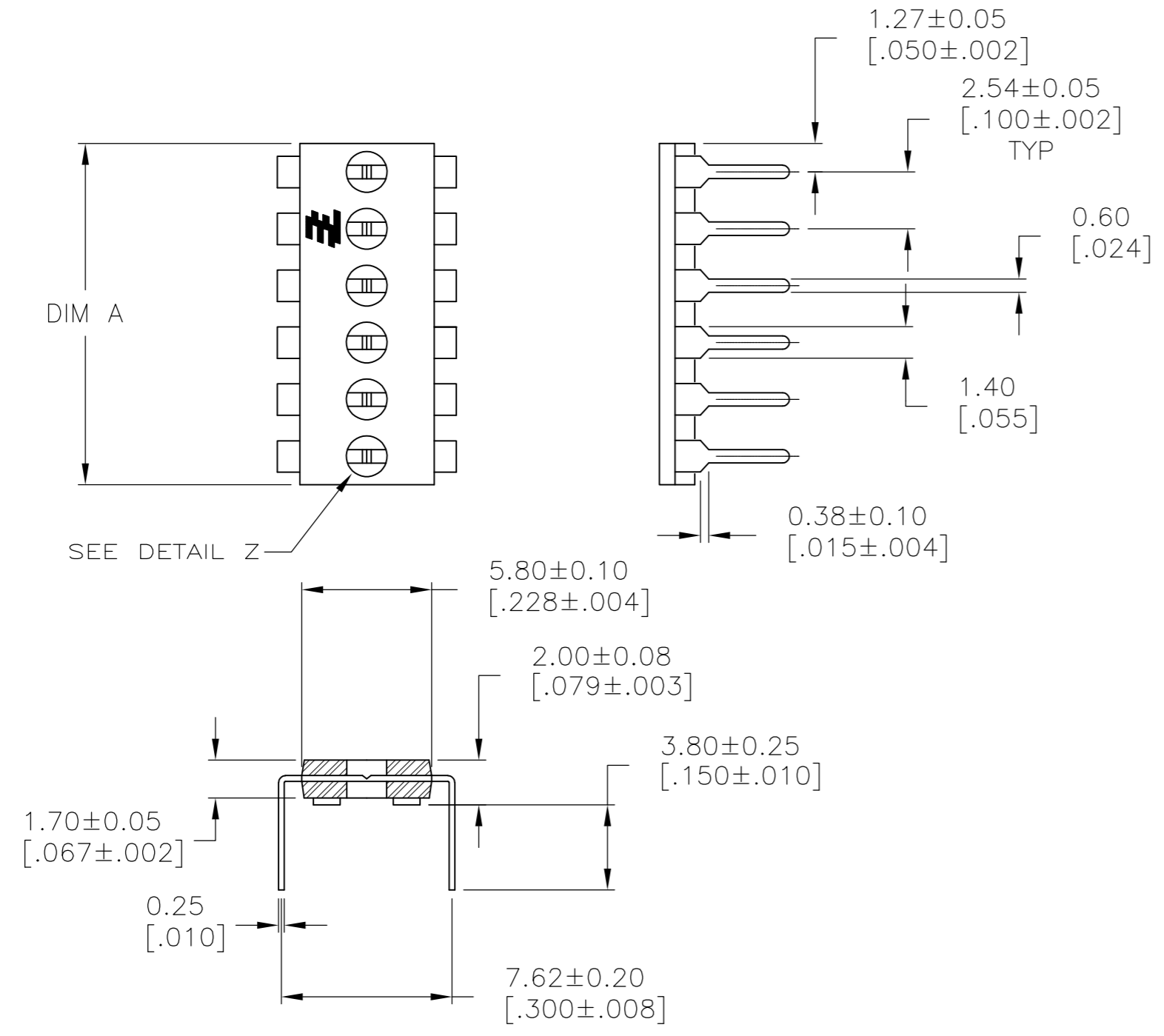
REVISIONS				
P	LTR	DESCRIPTION	DATE	APVD
C		REVISED PER ECO-12-007413	21APR12	KH PO
D		REVISED PER ECO-17-001607	16MAY2017	RK PO

SPECIFICATIONS:

MATERIAL:

CASE: HTN 30% GF UL94V-0
 TERMINAL: COPPER ALLOY, TIN OVER NICKEL PLATE

⚠ ALL MATERIALS AND FINISHES SHALL COMPLY WITH EU DIRECTIVE 2002/95/EC OF 27JAN2003 (ROHS)



	30.48 [1.200]	12	1-1825190-0
	25.40 [1.000]	10	1825190-9
OBSOLETE	22.86 [.900]	9	1825190-8
	20.32 [.800]	8	1825190-7
	17.78 [.700]	7	1825190-6
	15.24 [.600]	6	1825190-5
OBSOLETE	12.70 [.500]	5	1825190-4
	10.16 [.400]	4	1825190-3
OBSOLETE	7.62 [.300]	3	1825190-2
OBSOLETE	2.54 [.200]	2	1825190-1
	DIM A	POSITION	PART NO.

THIS DRAWING IS A CONTROLLED DOCUMENT.		DWN	B.S.VISWESWARA	06MAY05
DIMENSIONS: mm [INCHES]		CHK	M.S.SARVER	-
TOLERANCES UNLESS OTHERWISE SPECIFIED:		APVD	M.S.SARVER	-
0 PLC	± -	PRODUCT SPEC	-	NAME
1 PLC	± -	APPLICATION SPEC	-	SHUNT, DIP, PROGRAMMABLE
2 PLC	± 0.03[.001]	-	-	-
3 PLC	± -	-	-	-
4 PLC	± -	-	-	-
ANGLES	± -	-	-	-
MATERIAL	SEE TABLE	FINISH	-	WEIGHT
0.000000		SCALE	A2 4:1	SHEET
CUSTOMER DRAWING		SIZE	A2	CAGE CODE
00779		DRAWING NO	C=1825190	RESTRICTED TO
1 OF 1		REV	D	-

X-ON Electronics

Largest Supplier of Electrical and Electronic Components

Click to view similar products for [DIP Switches/SIP Switches](#) category:

Click to view products by [TE Connectivity](#) manufacturer:

Other Similar products are found below :

[78M03S](#) [79B10T](#) [8136-475G4T](#) [G7G-1A2-CB-DC12](#) [H7CZL8AC100240](#) [A7SS-M](#) [A8CA-201](#) [DRR60016](#) [DRS4016](#) [1825008-1](#) [1825444-1](#) [25.350.0653.0](#) [SDA10H1BDA](#) [97R06ST](#) [A2C-2A5](#) [1825444-7](#) [ADE08SA04](#) [ADE12S04](#) [192960010](#) [2-1825058-8](#) [25.330.0653.1](#) [25.352.0353.0](#) [CXDRIVEV2X](#) [IKN0600000](#) [IKN0800000](#) [LA2-002-DC24](#) [DBS1003](#) [438872000](#) [DRD10CRAE04](#) [DSR02T](#) [DSS 208 N](#) [E2FMX2D1M1TGJ03M](#) [NDI10H](#) [219-9MSTP](#) [204-6ES](#) [EPM02FV](#) [701521596](#) [NDS08V](#) [76SB05](#) [79A10](#) [TD06H0SK1](#) [Z7.255.9027.0](#) [1-1825058-3](#) [1825428-4](#) [219-10LPSTF](#) [E3ZG6111D03M](#) [G4D212PUSTV2DC5](#) [195-7MSTN](#) [NDI05H](#) [EPG301BT06](#)