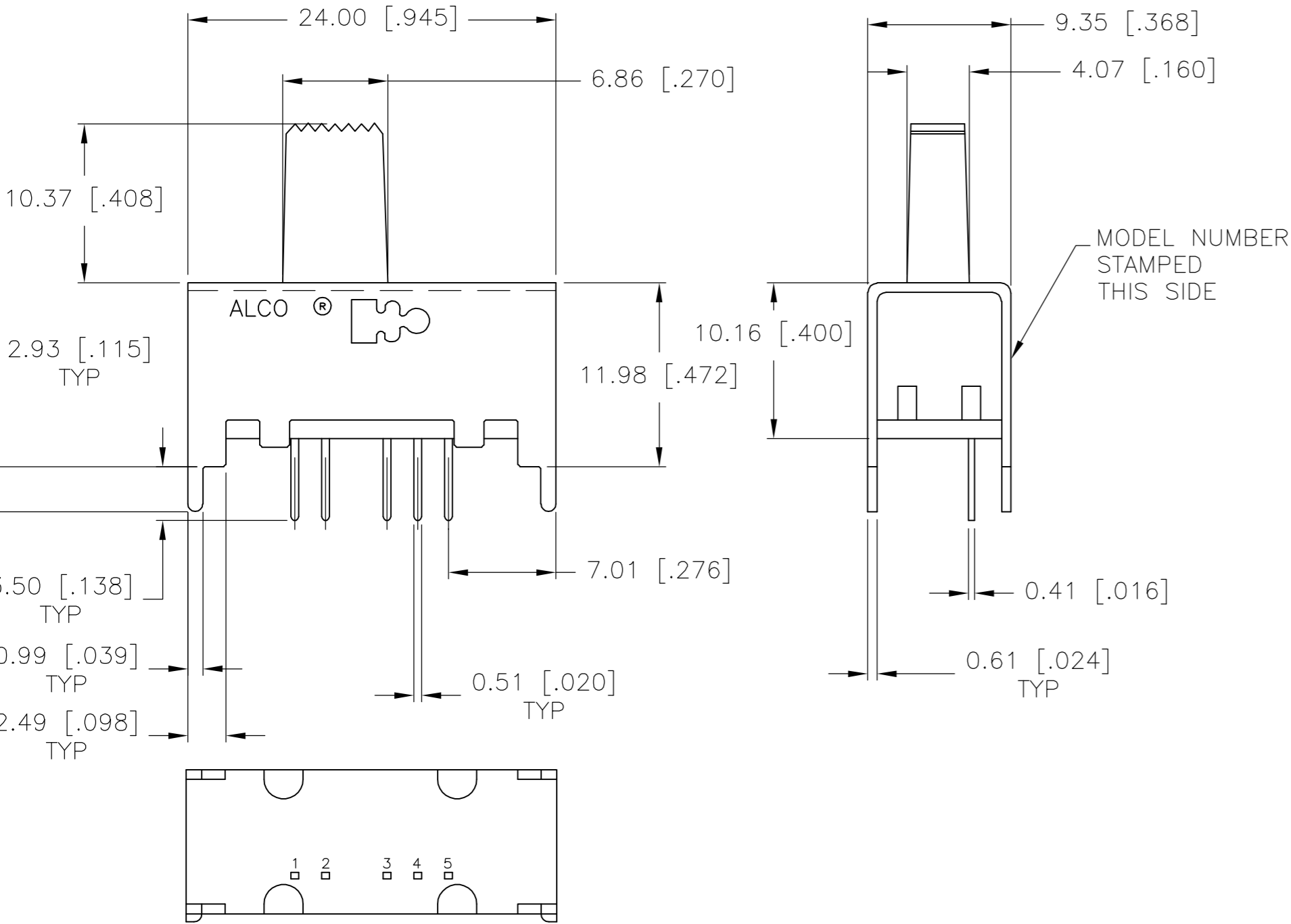
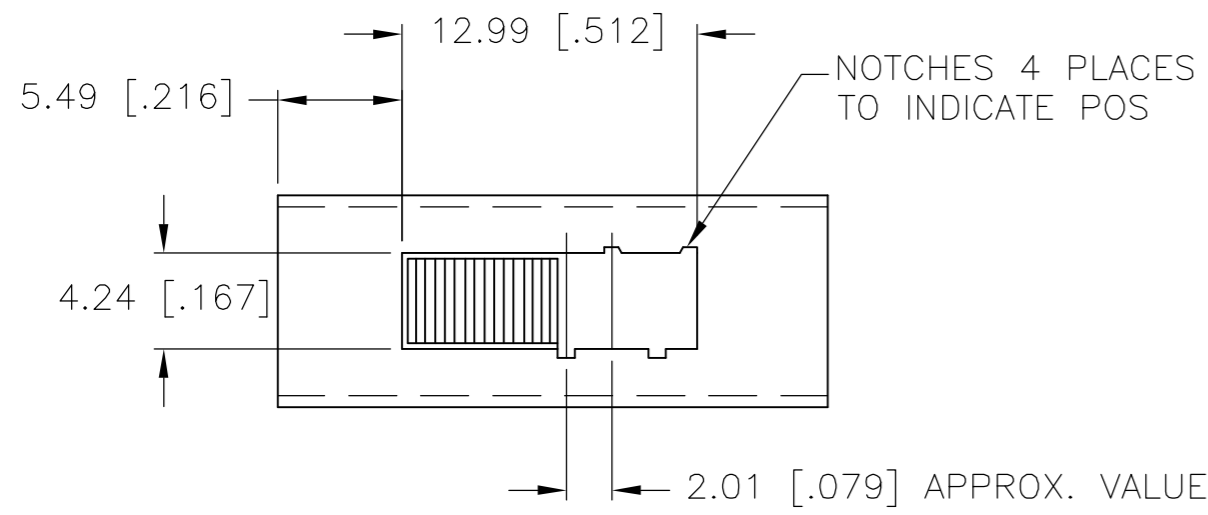


THIS DRAWING IS UNPUBLISHED. RELEASED FOR PUBLICATION
 © COPYRIGHT BY TYCO ELECTRONICS CORPORATION. ALL RIGHTS RESERVED.

LOC		DIST		REVISIONS			
P	LTR	DESCRIPTION		DATE	DWN	APVD	
	A	ECO 05 003709		23MAR06	BSV	MS	



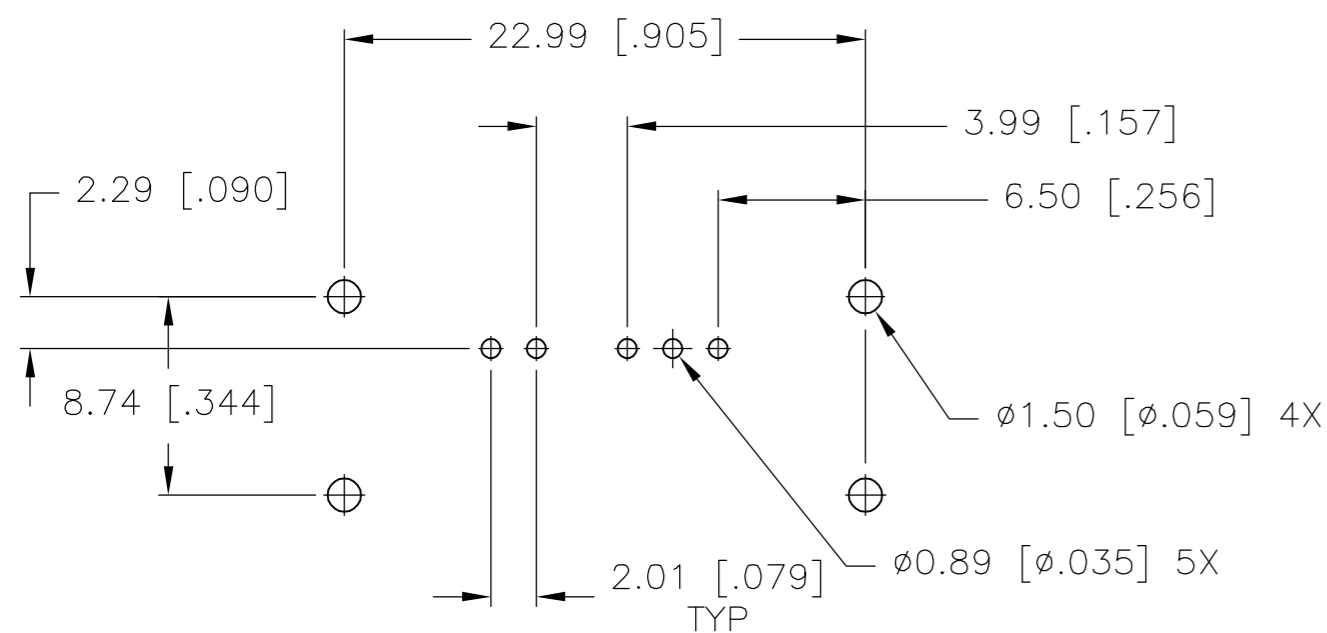
SPECIFICATIONS:
 MAKE-BEFORE-BREAK

MATERIALS:
 ACTUATOR - NYLON 66 UL94V-0, BLACK
 FRAME - TIN PLATED STEEL
 TERMINAL BOARD - PHENOLIC LAMINATE UL94HB, NATURAL
 TERMINAL (SILVER) - COPPER ALLOY- SILVER OVER NICKEL PLATE
 TERMINAL (GOLD) - COPPER ALLOY- TIN OVER NICKEL PLATE
 FIXED CONTACT (SILVER) - COPPER ALLOY- SILVER OVER NICKEL PLATE
 FIXED CONTACT (GOLD) - COPPER ALLOY-GOLD OVER NICKEL PLATE
 MOVING CONTACT (SILVER) - COPPER ALLOY- SILVER OVER NICKEL PLATE
 MOVING CONTACT (GOLD) - COPPER ALLOY-GOLD OVER NICKEL PLATE
 DETENT BALL - STAINLESS STEEL
 COIL SPRING - TEMPERED STEEL WIRE
 SEAL - EPOXY

ELECTRICAL:
 CONTACT RATING - .4VA@20VDC OR PEAK AC (GOLD)
 300mA@125V AC (SILVER)
 INITIAL CONTACT RESISTANCE - 30milliohm max.
 FINAL CONTACT RESISTANCE - 100milliohm max> (AFTER TEST)
 INSULATION RESISTANCE - 1,000Megohms min."
 DIELECTRIC STRENGTH - 500V RMS@SEA LEVEL
 LIFE EXPECTANCY - 15,000 CYCLES MIN."

MECHANICAL:
 ACTUATION FORCE - 600±300 GRAMS
 TRAVEL - 2.00±0.51[.079±.020]

ENVIRONMENTAL:
 OPERATING TEMPERATURE - -20 TO +85 DEGREES C
 STORAGE TEMPERATURE - -40 TO +100 DEGREES C
 RESISTANCE TO SOLDER HEAT PER 109-202, CONDITION B
 SOLDERABILITY PER EIA- 364-52, CLASS 2, CATEGORY 1, 95% MIN COVERAGE



PC BOARD LAYOUT, TOP VIEW
 RECOMMENDED TOLERANCES ±.002

1,3	2,3	3,4	3,5	SP4T	GOLD	MSSA1450G04	1825196-2
1,3	2,3	3,4	3,5	SP4T	SILVER	MSSA145004	1825196-1
				TYPE	CONTACT PLATING	ALCO P/N	TYCO P/N
LEFT	LEFT CENTER	RIGHT CENTER	RIGHT				
ACTUATOR POSITION							

THIS DRAWING IS A CONTROLLED DOCUMENT.		DWN	C.THEODORE	17SEP96	Tyco Electronics Corporation Harrisburg, PA 17105-3608		
DIMENSIONS: mm [INCHES]		CHK	-	-	NAME		
TOLERANCES UNLESS OTHERWISE SPECIFIED:		APVD	-	-	PRODUCT SPEC		
0 PLC ± -		APPLICATION SPEC	-	-	OUTLINE DRAWING SLIDE SWITCH,(SP 4 POS.) MSSA-1450 SERIES		
1 PLC ± -		WEIGHT	-	-	SIZE	CAGE CODE	DRAWING NO
2 PLC ± 0.25[.010]		CUSTOMER DRAWING		SCALE	3:1	SHEET	1 OF 1
3 PLC ± -		SEE SPECIFICATIONS		REV	A	RESTRICTED TO	
4 PLC ± -		SEE SPECIFICATIONS		A2 00779 C=1825196			
ANGLES ± 1°		SEE SPECIFICATIONS		REV			

X-ON Electronics

Largest Supplier of Electrical and Electronic Components

Click to view similar products for [Slide Switches](#) category:

Click to view products by [TE Connectivity](#) manufacturer:

Other Similar products are found below :

[6-1437581-1](#) [M43R](#) [MHSS1104A](#) [MMD](#) [GH36W010001](#) [GH49S010001](#) [1437576-8](#) [EPS1PC1](#) [1825074-1](#) [1825160-3](#) [1825167-2](#)
[25139NLDB](#) [25449NAH](#) [L101011ML04B](#) [SLB1240R45](#) [SLSA12004](#) [1825078-1](#) [1825080-4](#) [1825081-1](#) [1825269-1](#) [1825270-2](#)
[STS141RA04](#) [T2215BEN506](#) [GF-124-0204](#) [GH46P000001](#) [GH46W000001](#) [GH49P010001](#) [25339NA](#) [25436NLDH](#) [CST91246FK](#)
[TG36P000000](#) [TG36P000050](#) [47227LFE](#) [49331L](#) [MHSS1105A](#) [50208L](#) [L202091MS02Q](#) [4-1437581-7](#) [X2225CR-437W](#) [48BFSP3M2QT](#)
[49329L](#) [1101M1S3ZB8E2](#) [1-1437581-1](#) [EG1218REDACTUATOR](#) [TG39W000000](#) [1825075-1](#) [TG36WS80065](#) [T105S1CWZBE](#)
[SLB1280R5](#) [25136NLDB](#)