

REVISIONS					
P	LTR	DESCRIPTION	DATE	DWN	APVD
B		REVISED PER ECO-16-018096	29MAY2017	RK	PO

SPECIFICATIONS:  
 MAKE-BEFORE-BREAK

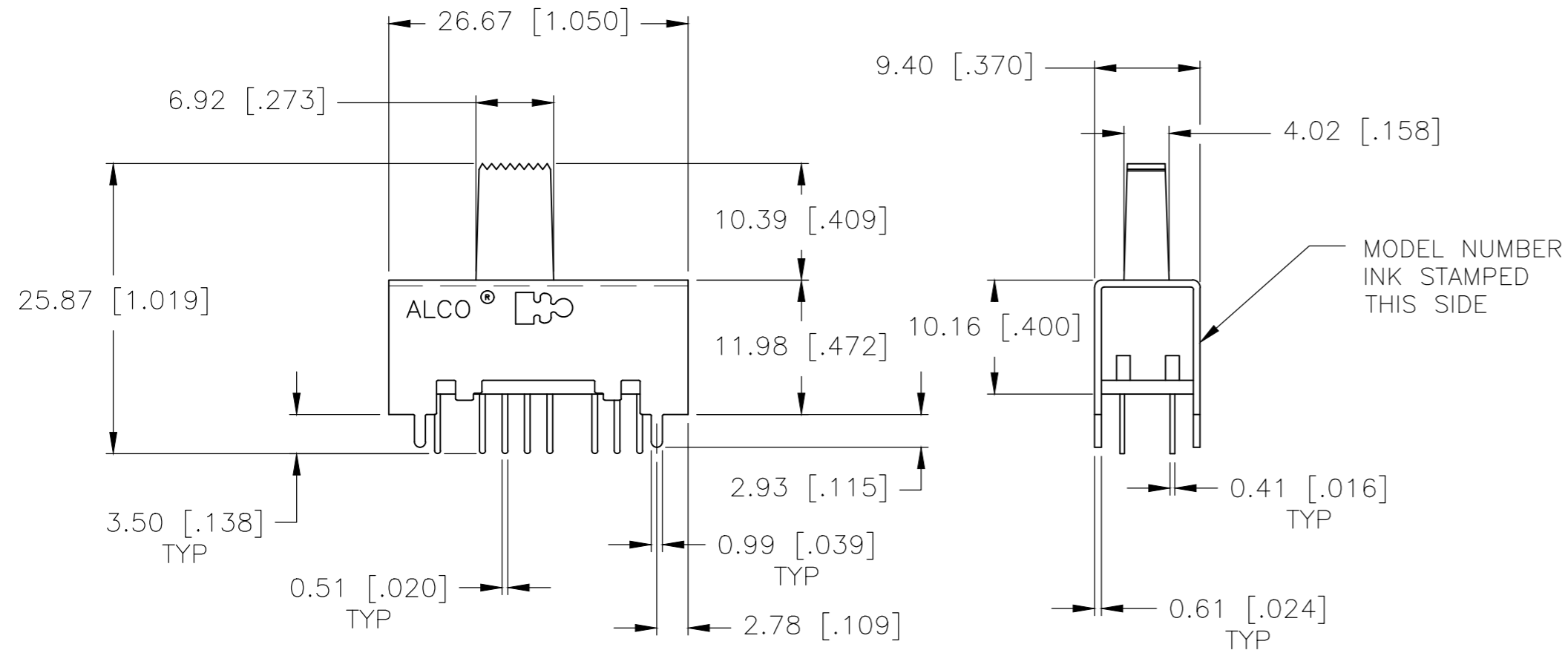
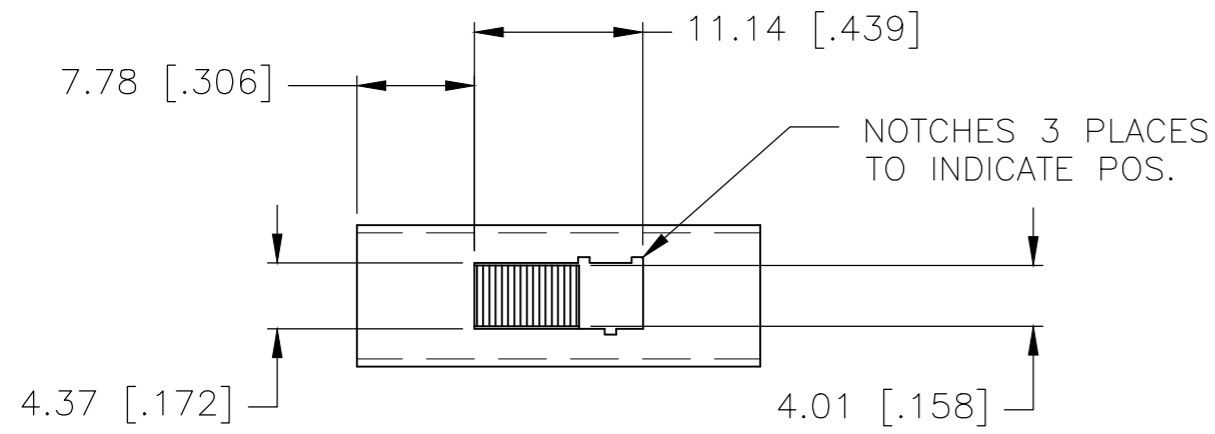
MATERIALS:  
 ACTUATOR - NYLON 66 UL94V-0, BLACK  
 FRAME - TIN PLATED STEEL  
 TERMINAL BOARD - PHENOLIC LAMINATE UL94HB, NATURAL  
 TERMINAL (SILVER) - COPPER ALLOY- SILVER OVER NICKEL PLATE  
 TERMINAL (GOLD) - COPPER ALLOY- TIN OVER NICKEL PLATE  
 FIXED CONTACT (SILVER) - COPPER ALLOY- SILVER OVER NICKEL PLATE  
 FIXED CONTACT (GOLD) - COPPER ALLOY-GOLD OVER NICKEL PLATE  
 MOVING CONTACT (SILVER) - COPPER ALLOY- SILVER OVER NICKEL PLATE  
 MOVING CONTACT (GOLD) - COPPER ALLOY-GOLD OVER NICKEL PLATE  
 DETENT BALL - STAINLESS STEEL  
 COIL SPRING - TEMPERED STEEL WIRE  
 SEAL - EPOXY

ELECTRICAL:  
 CONTACT RATING - .4VA@20VDC OR PEAK AC (GOLD)  
 300mA@125V AC (SILVER)  
 INITIAL CONTACT RESISTANCE - 30milliohm max.  
 FINAL CONTACT RESISTANCE - 100milliohm max> (AFTER TEST)  
 INSULATION RESISTANCE - 1,000Megohms min."  
 DIELECTRIC STRENGTH - 500V RMS@SEA LEVEL  
 LIFE EXPECTANCY - 15,000 CYCLES MIN."

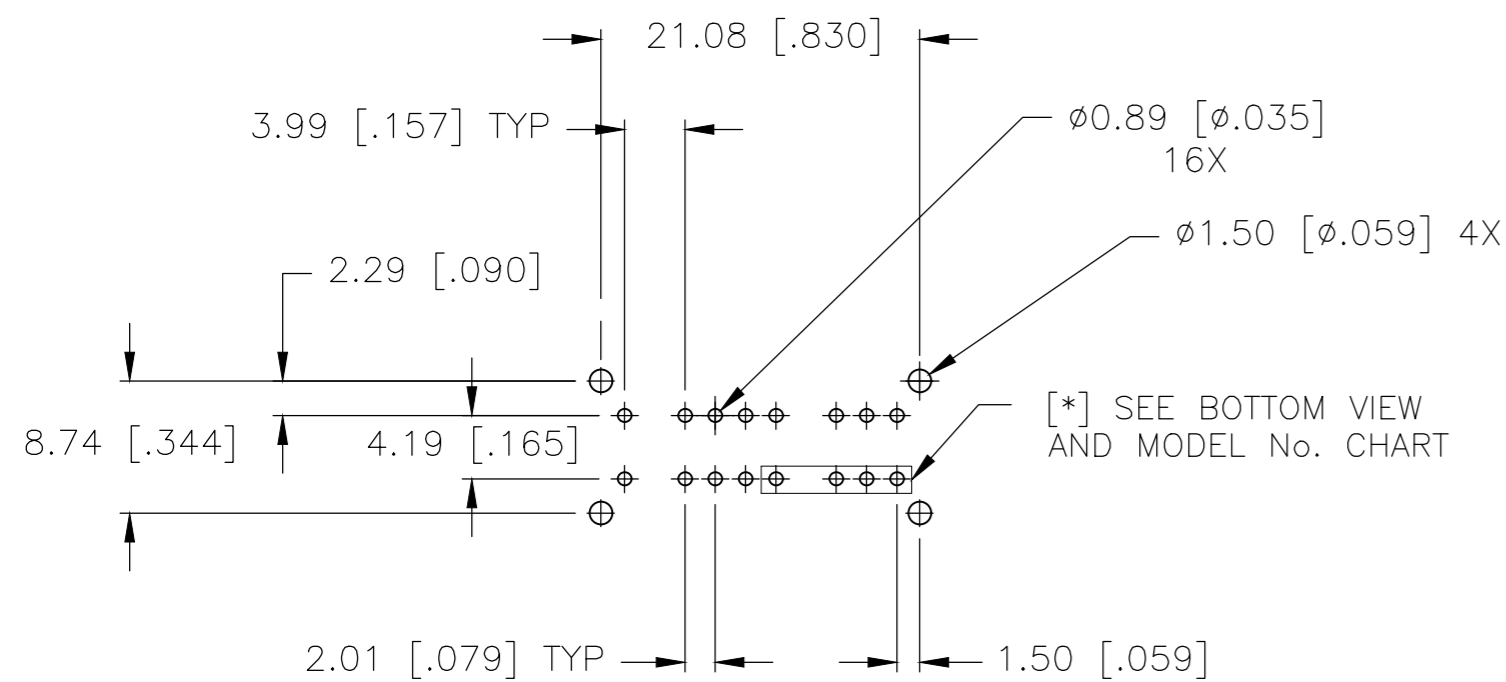
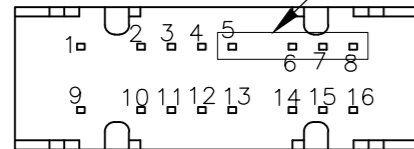
MECHANICAL:  
 ACTUATION FORCE - 600±300 GRAMS  
 TRAVEL - 2.00±0.51[.079±.020]

ENVIRONMENTAL:  
 OPERATING TEMPERATURE - -20 TO +85 DEGREES C  
 STORAGE TEMPERATURE - -40 TO +100 DEGREES C  
 RESISTANCE TO SOLDER HEAT PER 109-202, CONDITION B  
 SOLDERABILITY PER EIA- 364-52, CLASS 2, CATEGORY 1, 95% MIN  
 COVERAGE

NOTES:  
 1. ALL MATERIALS AND FINISHES SHALL COMPLY WITH EU  
 DIRECTIVE 2002 95/EC OF 27JAN2003 (ROHS).  
 2. ANTI SOLDER WICK SEAL AT TERMINAL TO BOARD INTERFACE.



[\*] THIS TERMINAL SET IS NOT USED ON 3350 SERIES



PC HOLE LAYOUT (TOP VIEW)  
 RECOMMENDED TOLERANCES ±.002

	1,2&5,6	9,10&13,14	2,3&5,7	10,11&13,15	2,4&5,8	10,12&13,16	4P3T	GOLD OVER NICKEL	MSSA4350G04	1825202-4
	1,2&5,6	9,10&13,14	2,3&5,7	10,11&13,15	2,4&5,8	10,12&13,16	4P3T	SILVER	MSSA435004	1825202-3
OBSOLETE	1,2, 9,10	&13,14	2,3, 10,11&13,15		2,4, 10,12&13,16		3P3T	GOLD OVER NICKEL	MSSA3350G04	*1825202-2
	1,2, 9,10	&13,14	2,3, 10,11&13,15		2,4, 10,12&13,16		3P3T	SILVER	MSSA335004	*1825202-1
	LEFT		CENTER		RIGHT		TYPE	CONTACT PLATING	ALCO P/N	TE P/N
	ACTUATOR POSITION									

THIS DRAWING IS A CONTROLLED DOCUMENT.		DWN	C.THEODORE	17SEP96	TE Connectivity	
DIMENSIONS: mm [INCHES]		CHK	-	-		
TOLERANCES UNLESS OTHERWISE SPECIFIED:		APVD	-	-	NAME	
0 PLC ± -		PRODUCT SPEC	-	-	OUTLINE DRAWING	
1 PLC ± -		APPLICATION SPEC	-	-	SLIDE SWITCH	
2 PLC ± 0.25[.010]					3 POSITION PC	
3 PLC ± -		WEIGHT			SIZE	CAGE CODE
4 PLC ± -					A2	00779
ANGLES ± 1°					DRAWING NO	RESTRICTED TO
FINISH					C=1825202	-
MATERIAL SEE SPECIFICATIONS					SCALE	SHEET
SEE SPECIFICATIONS					2:1	1 of 1
CUSTOMER DRAWING					REV	B

## X-ON Electronics

Largest Supplier of Electrical and Electronic Components

*Click to view similar products for [Slide Switches](#) category:*

*Click to view products by [TE Connectivity](#) manufacturer:*

Other Similar products are found below :

[6-1437581-1](#) [M43R](#) [MHS123K15D](#) [MHS133K](#) [MHSS1104A](#) [MMD](#) [GH49S010001](#) [MSS12A](#) [EPS1PC1](#) [1825074-1](#) [1825160-3](#) [1825167-2](#)  
[1825289-7](#) [K232CB](#) [25139NLDB](#) [25449NAH](#) [SLB1240R45](#) [1825078-1](#) [1825080-4](#) [1825269-1](#) [1825270-2](#) [STS141RA04](#) [T2215BEN506](#)  
[GH46P000001](#) [GH46W000001](#) [GH49P010001](#) [25339NA](#) [M42A](#) [TG36P000000](#) [TG36P000050](#) [AYZ0202AG](#) [47227LFE](#) [49331L](#) [50208L](#)  
[L203091MS02Q](#) [4-1437581-7](#) [X2225CR-437W](#) [49329L](#) [1101M1S3ZB8E2](#) [1-1437581-1](#) [MSS2225G04](#) [TG39W000000](#) [1825075-1](#)  
[MSS42G](#) [TG36WS80065](#) [T105S1CWZBE](#) [SLB124145](#) [SLB1280R5](#) [SLB1340R45](#) [25136NLDB](#)