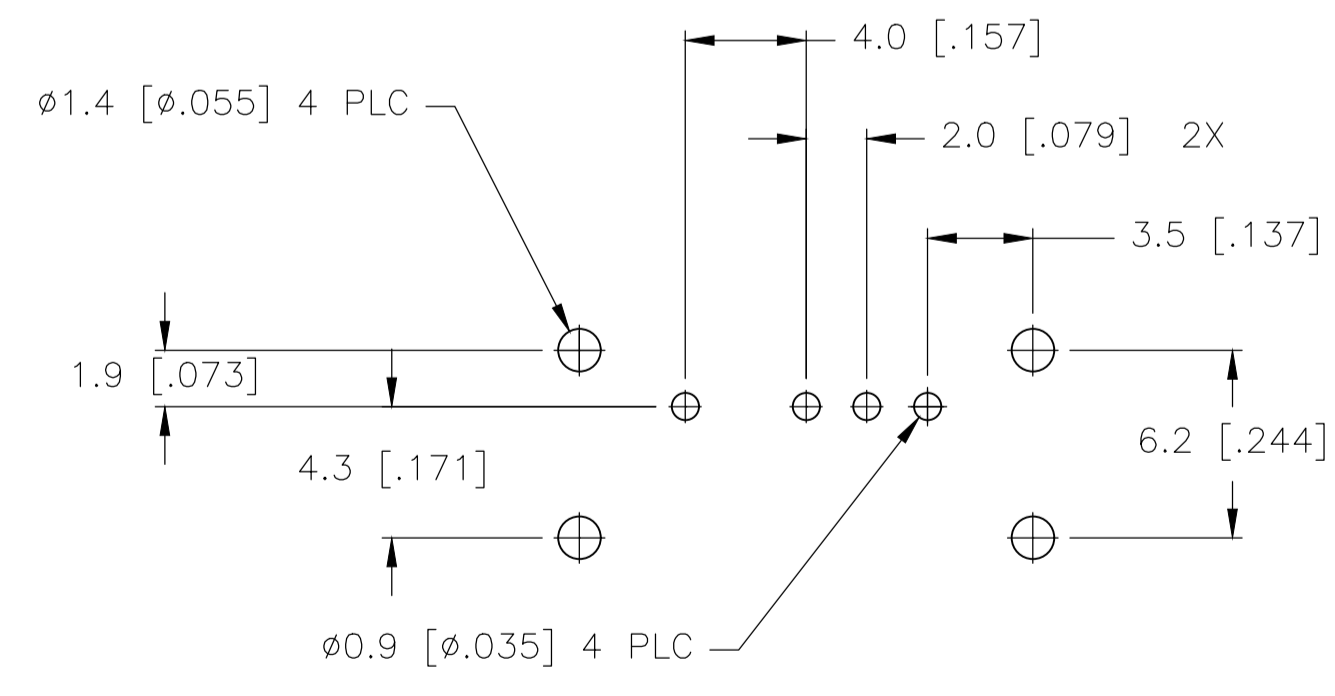
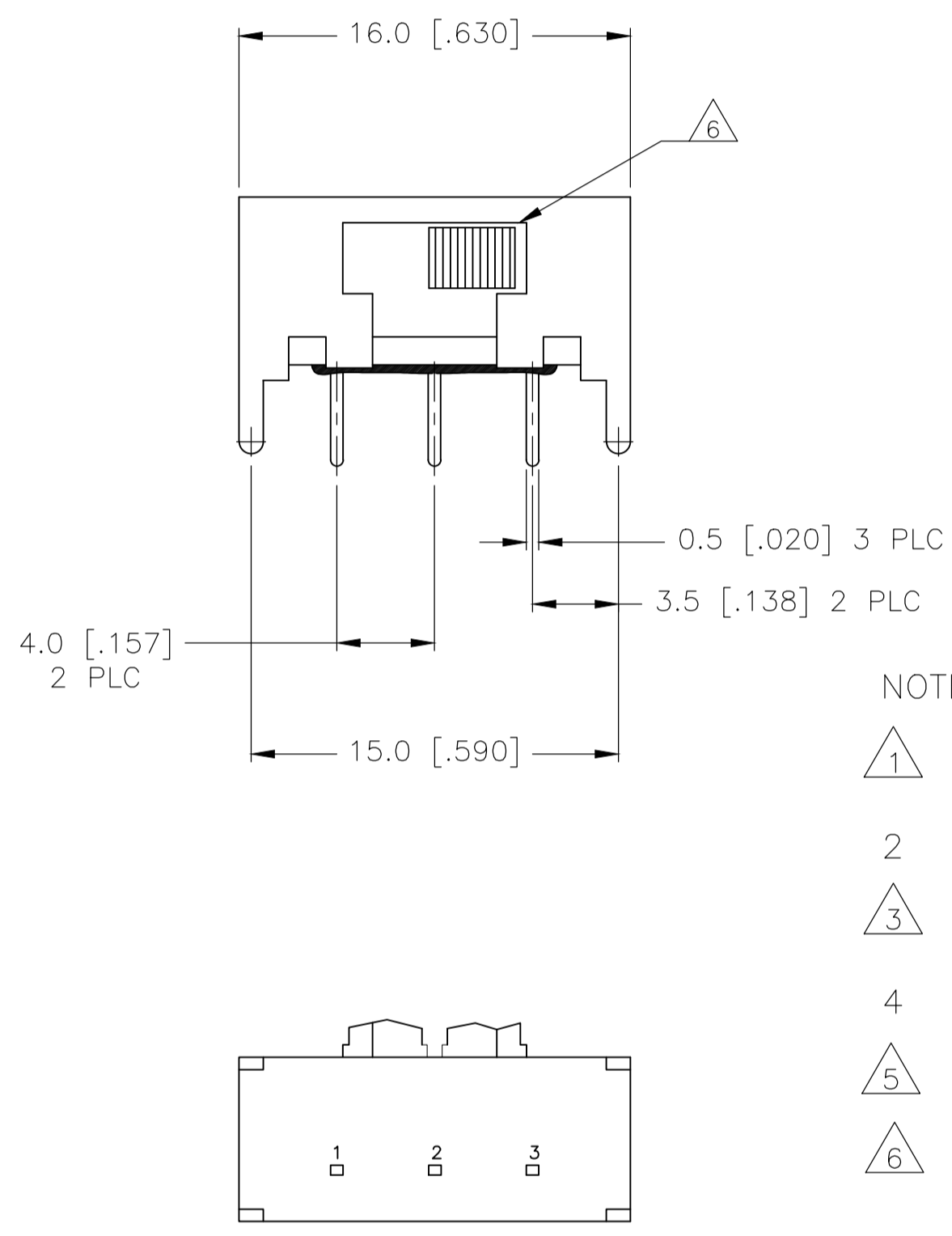
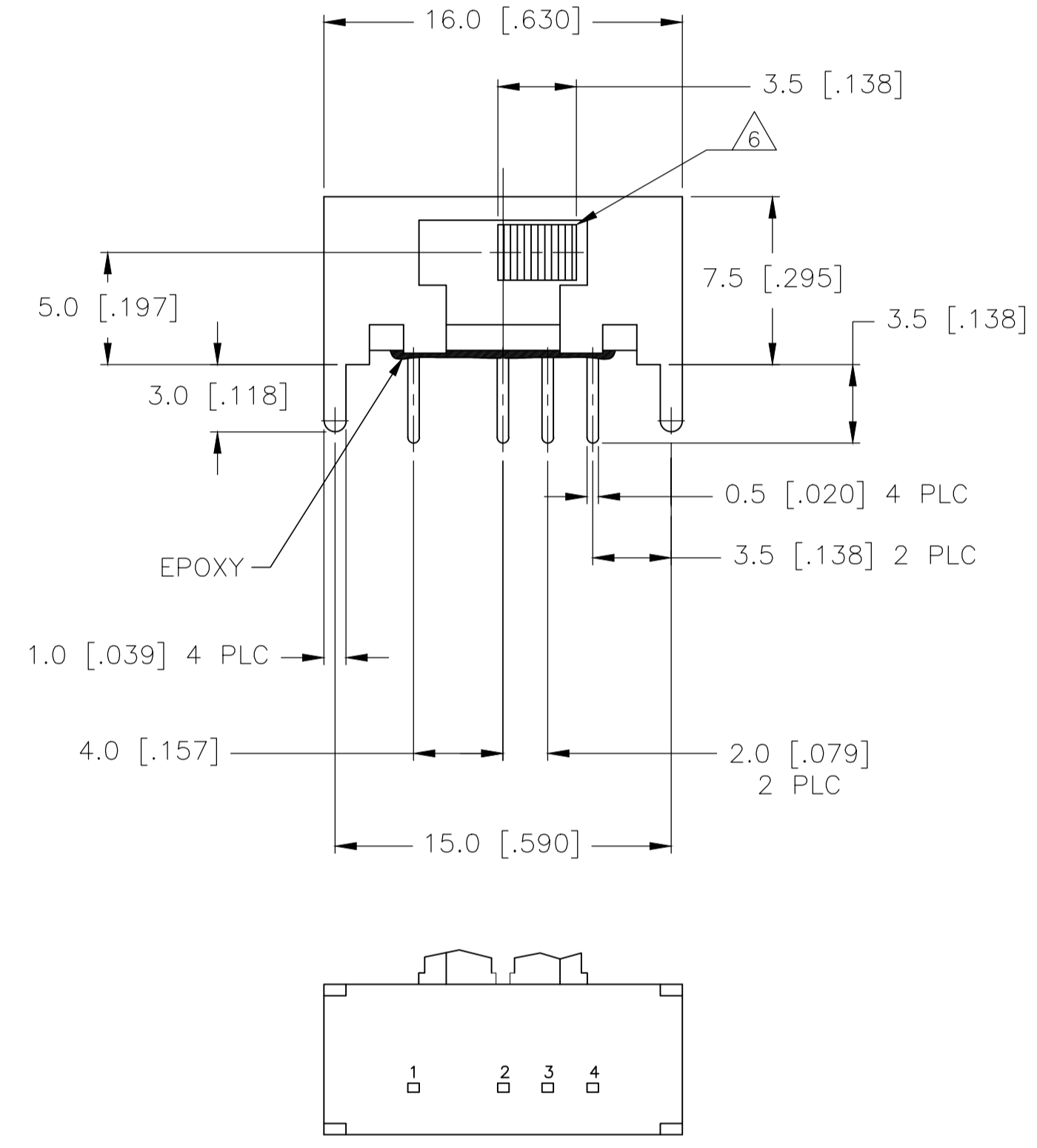
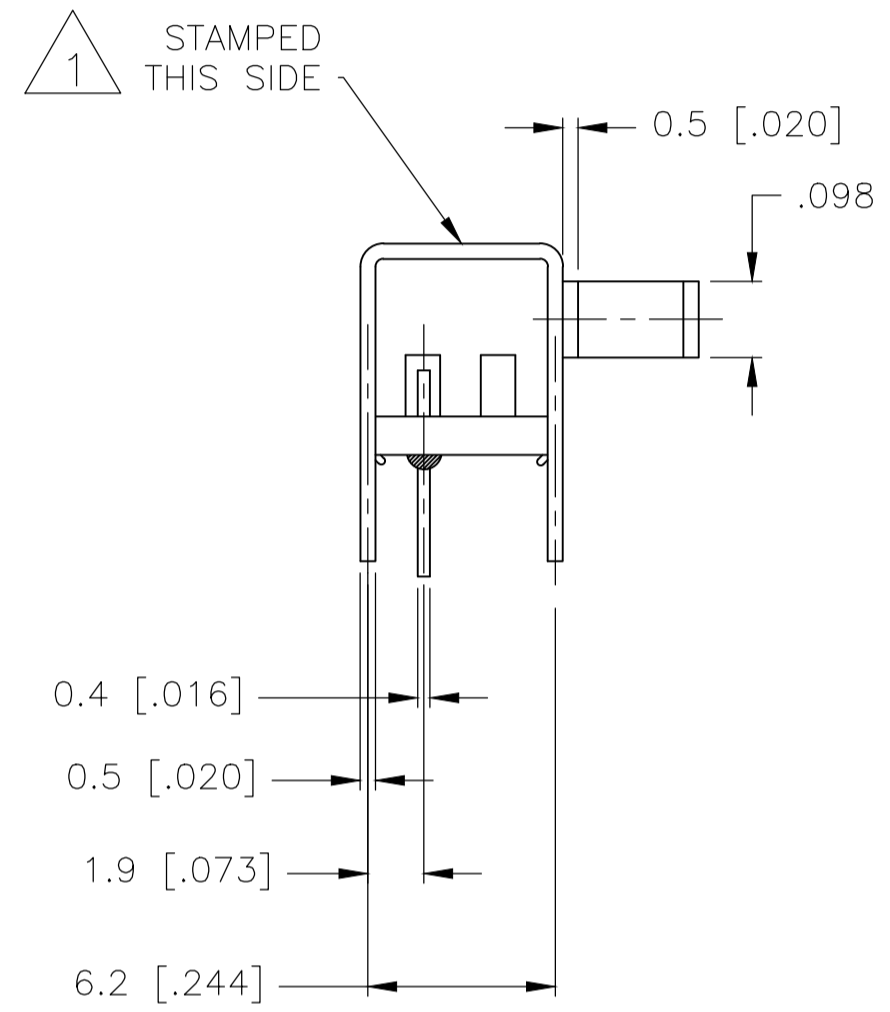
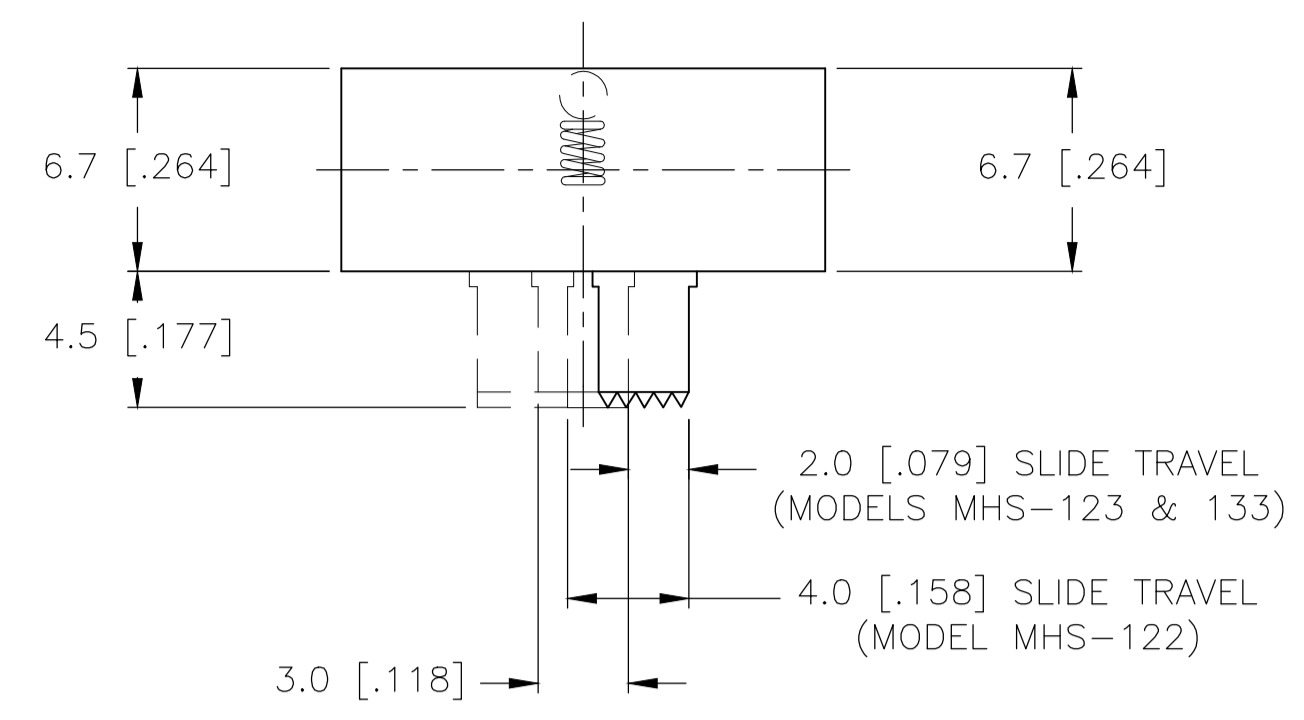
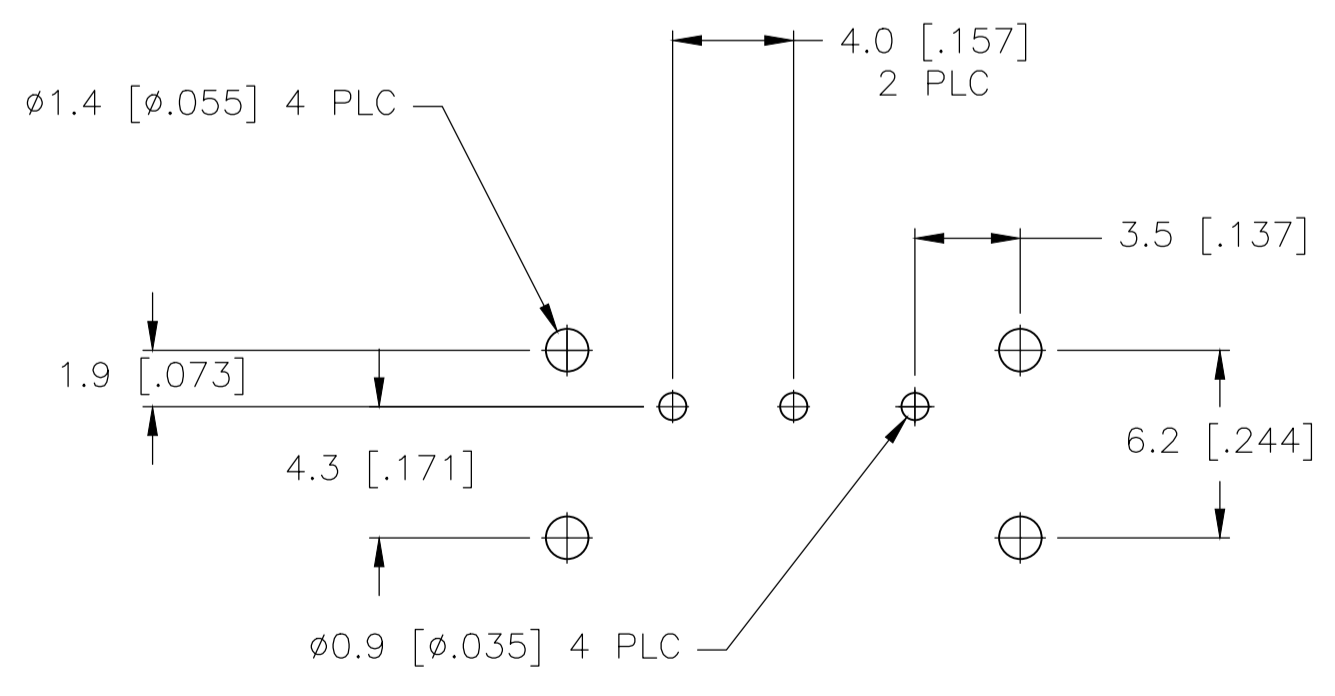


REVISIONS					
P	LTR	DESCRIPTION	DATE	DMN	APVD
A5		REVISED PER ECR-19-007953	23MAY2019	SR	PO



RECOMMENDED BOARD LAYOUT
PC LAYOUT TOLERANCE: ±0.02

MHS-133 SERIES SWITCH



RECOMMENDED BOARD LAYOUT
PC LAYOUT TOLERANCE: ±0.02

MHS-122 & 123 SERIES SWITCH

SPECIFICATIONS
BREAK-BEFORE-MAKE

MATERIALS:

- ACTUATOR- POM, UL94HB BLACK
- TERMINAL BOARD- PHENOLIC LAMINATED SHEET, UL94HB, NATURAL
- FRAME- STEEL, NICKEL PLATE
- TERMINAL/FIXED CONTACT- COPPER ALLOY, GOLD OR SILVER OVER NICKEL PLATE
- MOVING CONTACT- COPPER ALLOY, GOLD OR SILVER OVER NICKEL PLATE
- DETENT BALL- STEEL
- COIL SPRING- GALVANIZED SPRING WIRE
- LEVER,(K SERIES ONLY)- ALUMINUM
- SEAL- EPOXY

ELECTRICAL:

- CONTACT RATING- .4VA@20VDC OR PEAK AC (GOLD); 300mA@125V AC (SILVER)PER EIA-448, METHOD
- INITIAL CONTACT RESISTANCE- 30 milliohm max.
- FINAL CONTACT RESISTANCE- 100 milliohm max. (AFTER TEST)
- INSULATION RESISTANCE- 1,000 Megohms min.
- DIELECTRIC STRENGTH- 500V RMS@SEA LEVEL
- LIFE EXPECTANCY- 15,000 CYCLES MIN.

MECHANICAL:

- ACTUATION FORCE- 600+/-300 GRAMS
- TRAVEL- 2.0 +/-0.50 (.079 +/-0.020) ["SEE P/N TABLE" for 1825256 & 1825290]

ENVIRONMENTAL:

- OPERATING TEMPERATURE- -20 TO +85 DEGREES C
- STORAGE TEMPERATURE- -40 TO +100 DEGREES C
- RESISTANCE TO SOLDER HEAT PER 109-202, CONDITION B
- SOLDERABILITY PER EIA-364-52, CLASS 2, CATEGORY 1, 95% MIN COVERAGE

NOTES:

- 1 COUNTRY OF ORIGIN AND TE CONNECTIVITY LOGO LOCATED APPROXIMATELY AS SHOWN
- 2 ALL MATERIALS AND FINISHES SHALL COMPLY WITH EU DIRECTIVE 2002/95/EC OF 27JAN2003 (ROHS)
- 3 ANTI SOLDER WICK SEAL AT TERMINAL TO BOARD INTERFACE
- 4 ALL PERFORMANCE TESTING WAS DONE IN ACCORDANCE TO TE CONNECTIVITY SPECIFICATION 102-2469
- 5 OBSOLETE PARTS: OBSOLETE CIS STREAMLINING PER D.RENAUD/D.SINISI
- 6 ACTUATOR SUPPLIED IN POSITION SHOWN.

PART NO.	T&B PART NO.	TRAVEL	CONTACT	1 2 3	1 2 3 4	1 2 3	1 2 3 4	1 2 3	1 2 3 4
1825256-6	MHS133GRA04	2.00		-	2-1	-	2-3	-	2-4
OBSOLETE 1825256-5	MHS123GRA04	2.00	GOLD	2-1	-	OFF	-	2-3	-
OBSOLETE 1825256-4	MHS122GRA04	4.00		2-1	-	NONE	-	2-3	-
1825256-3	MHS133RA04	2.00		-	2-1	-	2-3	-	2-4
OBSOLETE 1825256-2	MHS123RA04	2.00	SILVER	2-1	-	OFF	-	2-3	-
1825256-1	MHS122RA04	4.00		2-1	-	NONE	-	2-3	-

TERMINALS CONNECTED WHEN SLIDE IS IN POSITION SHOWN.

THIS DRAWING IS A CONTROLLED DOCUMENT. DIN R BROWN 20DEC05. CJK 19MAY03. M SARVER 19MAY03. NAME: SLIDE SWITCH, MHS SERIES, SINGLE POLE, RIGHT ANGLE. SIZE: A1. CAGE CODE: 00779. DRAWING NO: 1825256. RESTRICTED TO: CUSTOMER DRAWING. SCALE: 4:1. SHEET: 1 OF 1. REV: A5.

X-ON Electronics

Largest Supplier of Electrical and Electronic Components

Click to view similar products for [Slide Switches](#) category:

Click to view products by [TE Connectivity](#) manufacturer:

Other Similar products are found below :

[6-1437581-1](#) [M43R](#) [MHS123K15D](#) [MHS133K](#) [MHSS1104A](#) [MMD](#) [GH49S010001](#) [MSS12A](#) [EPS1PC1](#) [1825074-1](#) [1825160-3](#) [1825167-2](#)
[1825289-7](#) [K232CB](#) [25139NLDB](#) [25449NAH](#) [SLB1240R45](#) [1825078-1](#) [1825080-4](#) [1825269-1](#) [1825270-2](#) [STS141RA04](#) [T2215BEN506](#)
[GH46P000001](#) [GH46W000001](#) [GH49P010001](#) [25339NA](#) [M42A](#) [TG36P000000](#) [TG36P000050](#) [AYZ0202AG](#) [47227LFE](#) [49331L](#) [50208L](#)
[L203091MS02Q](#) [4-1437581-7](#) [X2225CR-437W](#) [49329L](#) [1101M1S3ZB8E2](#) [1-1437581-1](#) [MSS2225G04](#) [TG39W000000](#) [1825075-1](#)
[MSS42G](#) [TG36WS80065](#) [T105S1CWZBE](#) [SLB124145](#) [SLB1280R5](#) [SLB1340R45](#) [25136NLDB](#)