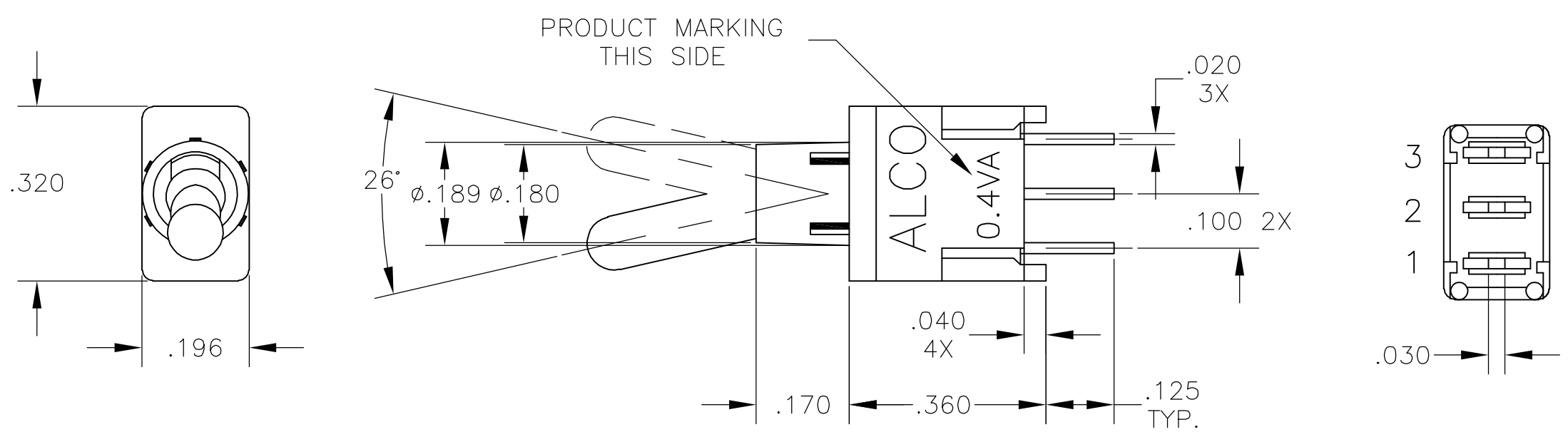


THIS DRAWING IS UNPUBLISHED. RELEASED FOR PUBLICATION  
 © COPYRIGHT BY TYCO ELECTRONICS CORPORATION. ALL RIGHTS RESERVED.

LOC		DIST		REVISIONS			
P	LTR	DESCRIPTION	DATE	DWN	APVD		
AD	00	A	REVISED PER ECO-05-012969	11-25-05	HMR	-	



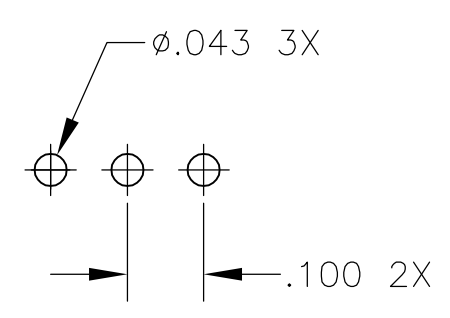
**SPECIFICATIONS:**

**MATERIALS:**  
 CASE & BUSHING : LCP  
 BRACKET : STEEL, TIN OVER COPPER PLATED  
 O-RING : NITRILE  
 LEVER : BRASS, NICKEL PLATED  
 SPRING : MUSIC WIRE  
 RETAINING PLATE : STEEL, NICKEL PLATED  
 PLUNGER : STAINLESS STEEL  
 INSULATOR : PTFE  
 MOVEABLE CONTACT : BRASS OR COPPER ALLOY, GOLD OVER NICKEL PLATED  
 TERMINALS : BRASS, TIN OVER NICKEL IN SOLDER AREA AND GOLD OVER Ni IN CONTACT AREA

**ELECTRICAL:**  
 CONTACT RATING : 0.4 VA @ 20 VDC OR PEAK AC  
 INITIAL CONTACT RESISTANCE: 20 MILLIOHMS MAX.  
 INSULATION RESISTANCE : 1,000 MEGOHMS AT 500 VDC MIN.  
 DIELECTRIC STRENGTH : 1,000 VOLTS RMS AT SEA LEVEL  
 LIFE EXPECTANCY : 2 POSITION: 80,000 CYCLES  
 3 POSITION: 60,000 CYCLES  
 MOMENTARY: 30,000 CYCLES

**ENVIRONMENTAL:**  
 OPERATING TEMPERATURE : -22°F TO +185°F (-30°C TO +85°C)  
 STORAGE TEMPERATURE : -67°F TO +185°F (-55°C TO +85°C)

PC MOUNT



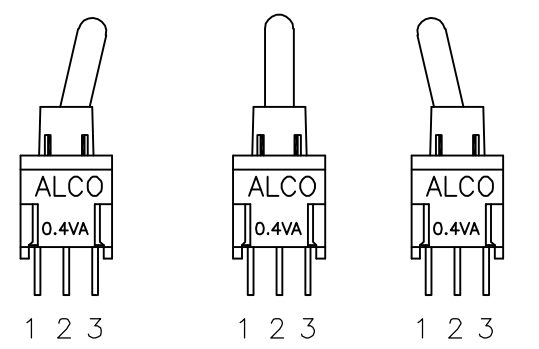
PC HOLE PATTERN  
 TOLERANCES FOR ALL PCB LAYOUT  
 DIMENSIONS TO BE  $\pm$ .002

**NOTES:**  
 1. ALL MATERIALS & FINISHES COMPLY WITH EU DIRECTIVE 2002/95/EC OF 27JAN2003 (ROHS)

PART NUMBERING SEQUENCE

MODEL	NO. OF POLES	CONTACT RATINGS	FUNCTION	CONTACT PLATINGS	TERMINATIONS	ACTUATOR	BUSHING (PLAIN)	TAPE & REEL PKGNG.	ROHS
TST	1	1	<ul style="list-style-type: none"> <li>D ON NONE ON</li> <li>E ON OFF ON</li> <li>F ON NONE (ON)</li> <li>G (ON) OFF (ON)</li> <li>H ON OFF (ON)</li> </ul>	G	<ul style="list-style-type: none"> <li>PC PC</li> <li>PCV P.C. WITH BRACKET</li> <li>RA RIGHT ANGLE</li> <li>VRA VERTICAL RIGHT ANGLE</li> </ul>	<ul style="list-style-type: none"> <li>1 .206"</li> <li>2 .250"</li> <li>4 .400"</li> </ul>	D	TR	04

FUNCTION CHART  
 THE FOLLOWING FUNCTIONS AVAILABLE IN SINGLE POLE



NONE INDICATES NO MECHANICAL POSITION.	D	2 POSITIONS	ON	NONE	ON
OFF INDICATES A MECHANICAL POSITION WITH NO ELECTRICAL CONNECTION.	E	3 POSITIONS	ON	OFF	ON
(ON) INDICATES MOMENTARY ACTION.	F	2 POSITIONS	ON	NONE	(ON)
	G	3 POSITIONS	(ON)	OFF	(ON)
	H	3 POSITIONS	ON	OFF	(ON)

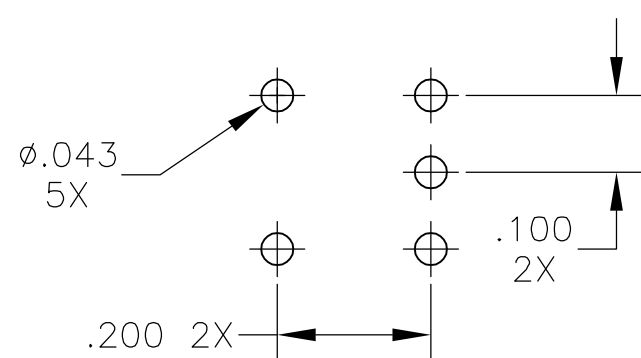
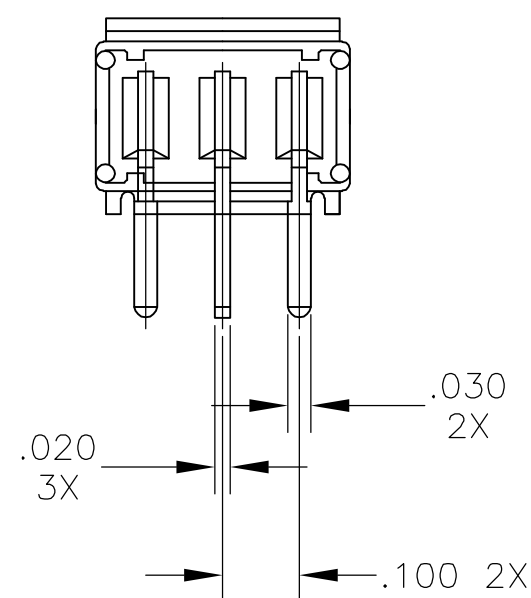
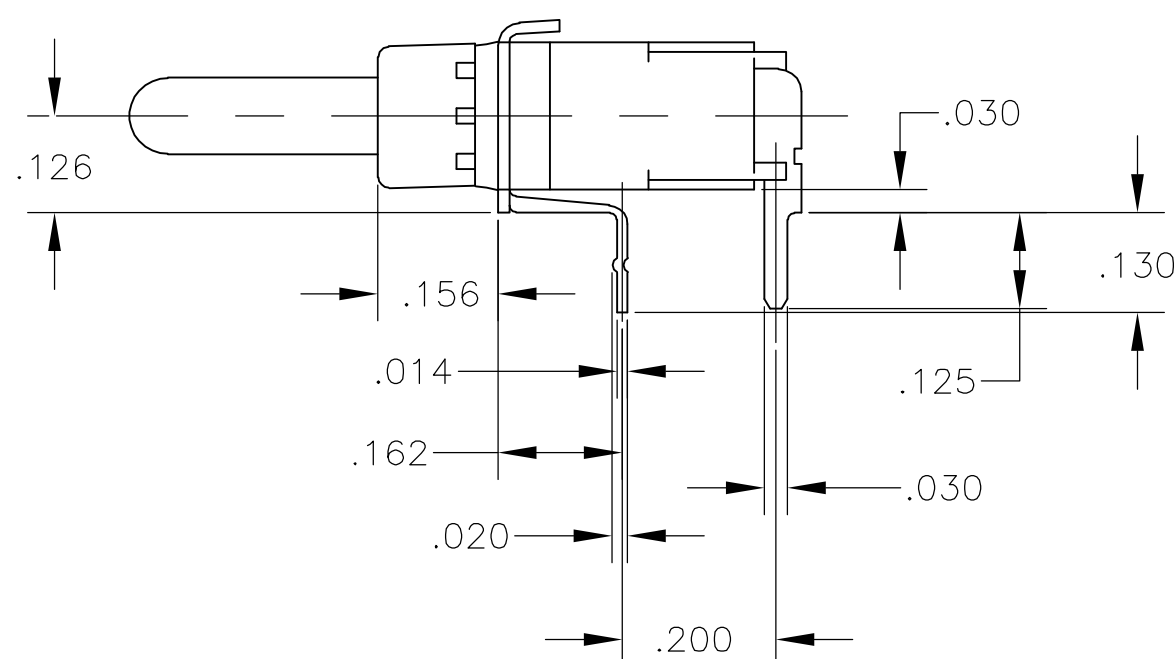
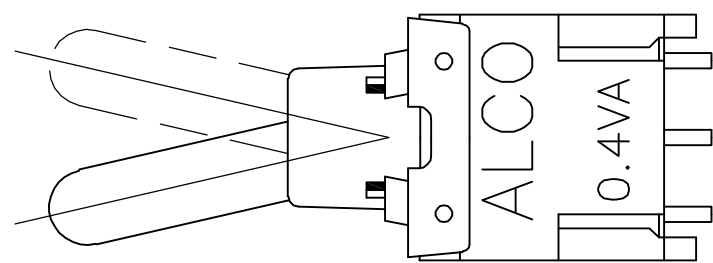
TERMINALS CONNECTED: 1-2, -, 2-3

ROHS PARTS	
TYCO P/N	ALCO P/N
1825455-1	TST11DGPC1D04
1825455-2	TST11DGPCV1D04
1825455-3	TST11DGRA1D04
1825455-4	TST11DGVRA1D04
1825455-5	TST11EGPC4D04

THIS DRAWING IS A CONTROLLED DOCUMENT.		DWN	C.M.M.	7-11-90	Tyco Electronics Corporation Harrisburg, Pa 17105-3608																	
DIMENSIONS: INCHES		CHK	B.J.A.	12-20-90																		
TOLERANCES UNLESS OTHERWISE SPECIFIED:		APVD	B.J.A.	12-20-90																		
<table border="1"> <tr><td>0 PLC</td><td><math>\pm</math></td><td>-</td></tr> <tr><td>1 PLC</td><td><math>\pm</math></td><td>-</td></tr> <tr><td>2 PLC</td><td><math>\pm</math></td><td>-</td></tr> <tr><td>3 PLC</td><td><math>\pm</math></td><td>.010</td></tr> <tr><td>4 PLC</td><td><math>\pm</math></td><td>-</td></tr> <tr><td>ANGLES</td><td><math>\pm</math></td><td>3'</td></tr> </table>		0 PLC	$\pm$	-		1 PLC	$\pm$	-	2 PLC	$\pm$	-	3 PLC	$\pm$	.010	4 PLC	$\pm$	-	ANGLES	$\pm$	3'	PRODUCT SPEC	NAME
0 PLC	$\pm$	-																				
1 PLC	$\pm$	-																				
2 PLC	$\pm$	-																				
3 PLC	$\pm$	.010																				
4 PLC	$\pm$	-																				
ANGLES	$\pm$	3'																				
MATERIAL	FINISH	WEIGHT	SIZE		CAGE CODE	DRAWING NO	RESTRICTED TO															
-	-	-	A2		00779	C=1825455	-															
CUSTOMER DRAWING				SCALE	4:1	SHEET	1 OF 3															
				REV	A																	

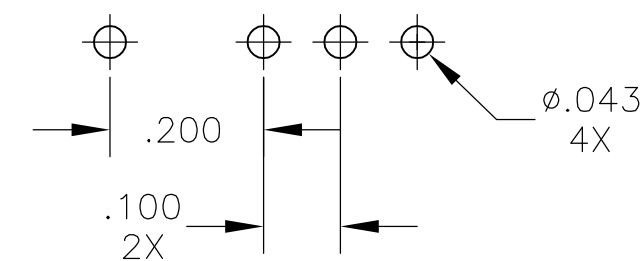
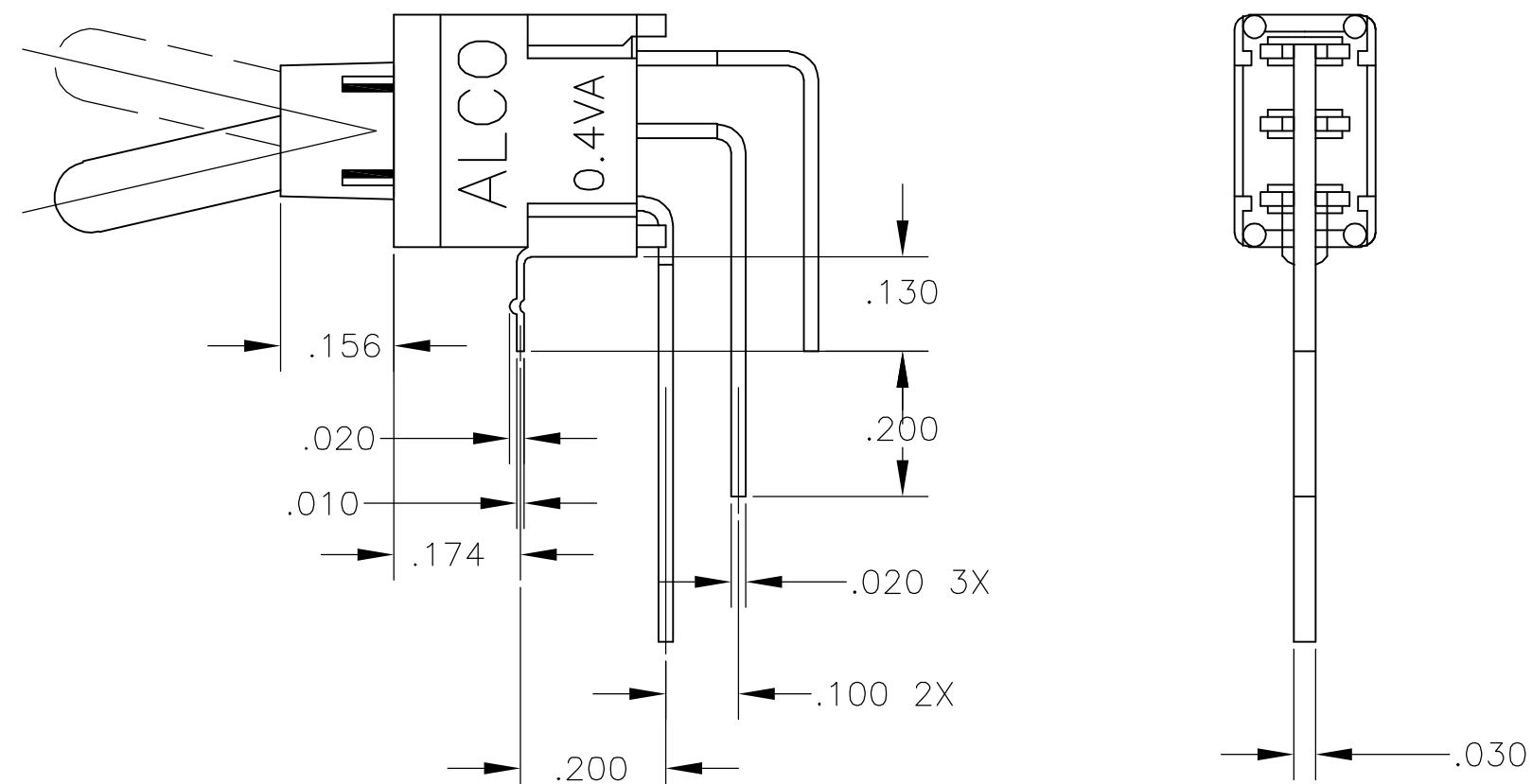
THIS DRAWING IS UNPUBLISHED. RELEASED FOR PUBLICATION  
 © COPYRIGHT BY TYCO ELECTRONICS CORPORATION. ALL RIGHTS RESERVED.

LOC	DIST	REVISIONS			
P	LTR	DESCRIPTION	DATE	DWN	APVD
AD	00	SEE SHEET 1	-	-	-



TOLERANCES FOR ALL PCB LAYOUT DIMENSIONS TO BE ±.002

RA RIGHT ANGLE



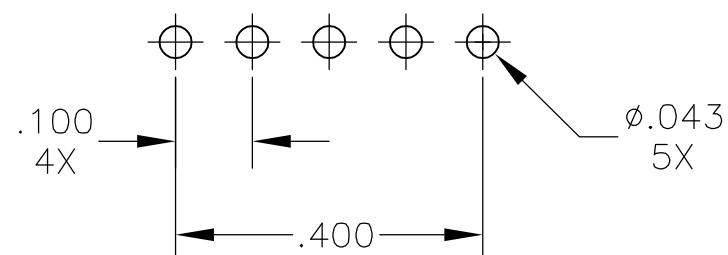
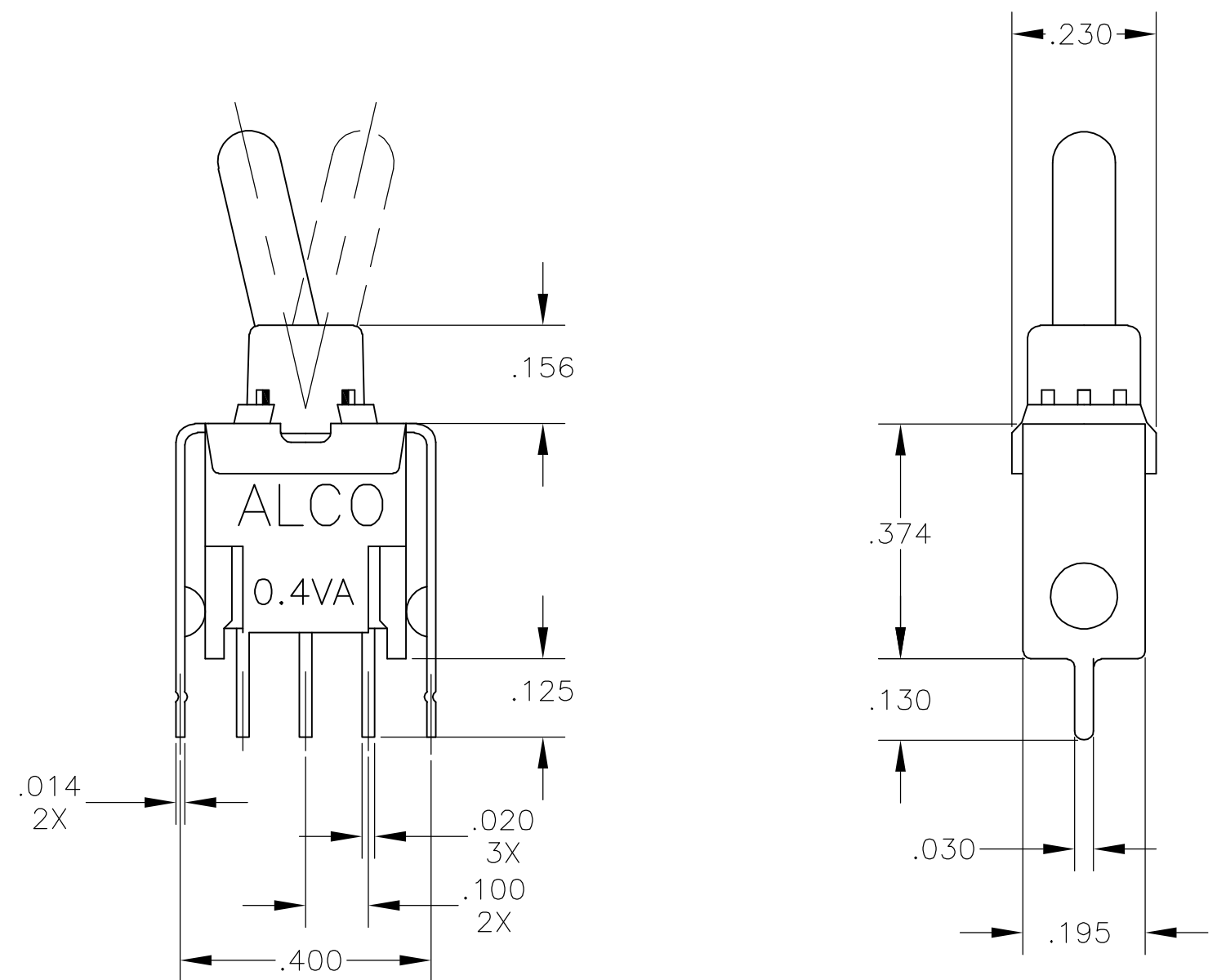
TOLERANCES FOR ALL PCB LAYOUT DIMENSIONS TO BE ±.002

VRA VERTICAL RIGHT ANGLE

THIS DRAWING IS A CONTROLLED DOCUMENT.		DWN C.M.M.	7-11-90	 Tyco Electronics Corporation Harrisburg, Pa 17105-3608																		
DIMENSIONS: INCHES		CHK B.J.A.	12-20-90																			
TOLERANCES UNLESS OTHERWISE SPECIFIED:		APVD B.J.A.	12-20-90	NAME SEALED TOGGLE SWITCH, SINGLE POLE, TST SERIES																		
<table border="1"> <tr><td>0 PLC</td><td>±</td><td>-</td></tr> <tr><td>1 PLC</td><td>±</td><td>-</td></tr> <tr><td>2 PLC</td><td>±</td><td>-</td></tr> <tr><td>3 PLC</td><td>±</td><td>.010</td></tr> <tr><td>4 PLC</td><td>±</td><td>-</td></tr> <tr><td>ANGLES</td><td>±</td><td>3'</td></tr> </table>		0 PLC	±	-	1 PLC	±	-	2 PLC	±	-	3 PLC	±	.010	4 PLC	±	-	ANGLES	±	3'	PRODUCT SPEC	-	SIZE A2
0 PLC	±	-																				
1 PLC	±	-																				
2 PLC	±	-																				
3 PLC	±	.010																				
4 PLC	±	-																				
ANGLES	±	3'																				
MATERIAL		APPLICATION SPEC	-	CAGE CODE 00779																		
FINISH		WEIGHT	-	DRAWING NO C=1825455																		
		CUSTOMER DRAWING		RESTRICTED TO -																		
		SCALE 4:1	SHEET 2 OF 3	REV A																		

THIS DRAWING IS UNPUBLISHED. RELEASED FOR PUBLICATION  
 © COPYRIGHT BY TYCO ELECTRONICS CORPORATION. ALL RIGHTS RESERVED.

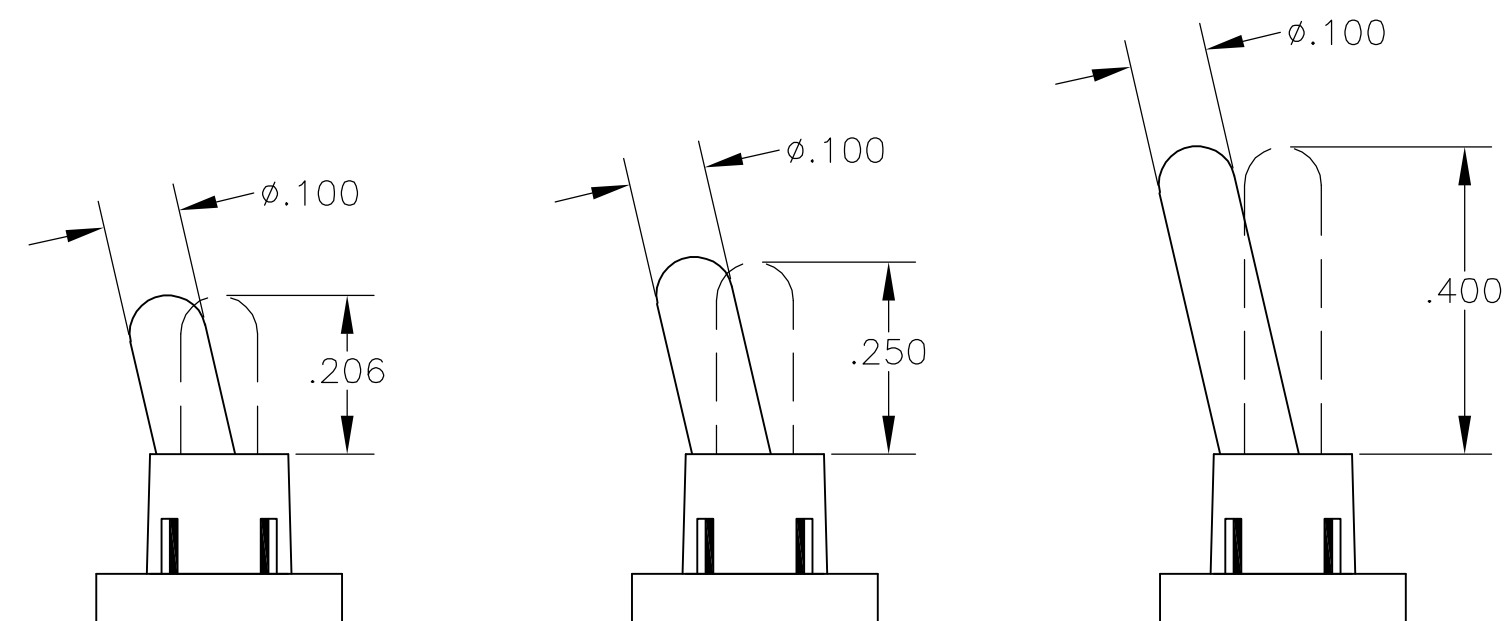
LOC	DIST	REVISIONS			
P	LTR	DESCRIPTION	DATE	DWN	APVD
AD	00	SEE SHEET 1	-	-	-



TOLERANCES FOR ALL PCB LAYOUT DIMENSIONS TO BE ±.002

PCV PC WITH VERTICAL SUPPORT BRACKET

ACTUATORS



1

2

4

1825455

THIS DRAWING IS A CONTROLLED DOCUMENT.		DWN C.M.M.	7-11-90	<b>tyco</b> Tyco Electronics Corporation	
		CHK B.J.A.	12-20-90	Harrisburg, Pa 17105-3608	
		APVD B.J.A.	12-20-90	NAME	
		PRODUCT SPEC			
		APPLICATION SPEC			
		WEIGHT			
		CUSTOMER DRAWING			
DIMENSIONS: INCHES		TOLERANCES UNLESS OTHERWISE SPECIFIED:		SIZE	
		0 PLC ± -		A2	
		1 PLC ± -		CAGE CODE	
		2 PLC ± -		00779	
		3 PLC ± .010		DRAWING NO	
		4 PLC ± -		C=1825455	
		ANGLES ± 3'		RESTRICTED TO	
MATERIAL		FINISH		SCALE	
				4:1	
				SHEET	
				3 OF 3	
				REV	
				A	

## X-ON Electronics

Largest Supplier of Electrical and Electronic Components

*Click to view similar products for [Toggle Switches](#) category:*

*Click to view products by [TE Connectivity](#) manufacturer:*

Other Similar products are found below :

[8928K478](#) [8A1-C-222](#) [020017-13](#) [60012L](#) [6006L](#) [CS115W](#) [CS120W](#) [6663](#) [7101SPDV30BE](#) [7103SDV30BE](#) [7105D](#) [7108P3YAV2BE](#)  
[71YY50282](#) [7300K36](#) [7301K38](#) [7306K36](#) [7310K36](#) [7506K4](#) [7592K6](#) [7660K12](#) [7691K14](#) [7700K1](#) [8391K108](#) [8396K108](#) [8811K17](#)  
[8824K14](#) [8828K13](#) [8835K3](#) [8858K44](#) [PS83-121G](#) [1-1825192-0](#) [A201SCWZB04](#) [A207SYCB04](#) [A208J61ZQ0004](#) [A221T1TCQ](#)  
[A323S1CWZQ](#) [A423S1CWZG-M8](#) [1201W](#) [12156AX408](#) [12147AGKX679](#) [12246X778](#) [12TW49-3D](#) [130312](#) [13037L](#) [13001X](#)  
[AE101MD1W4B04](#) [AE208SD1W4B04](#) [MS24659-22D](#) [MS27407-5](#) [1520230-9](#)