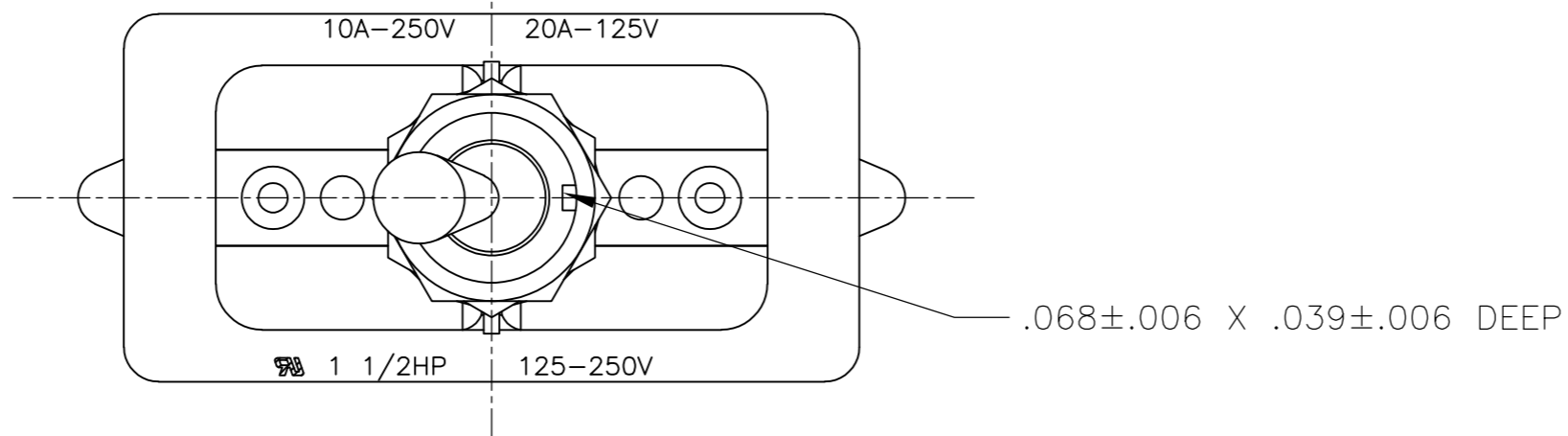
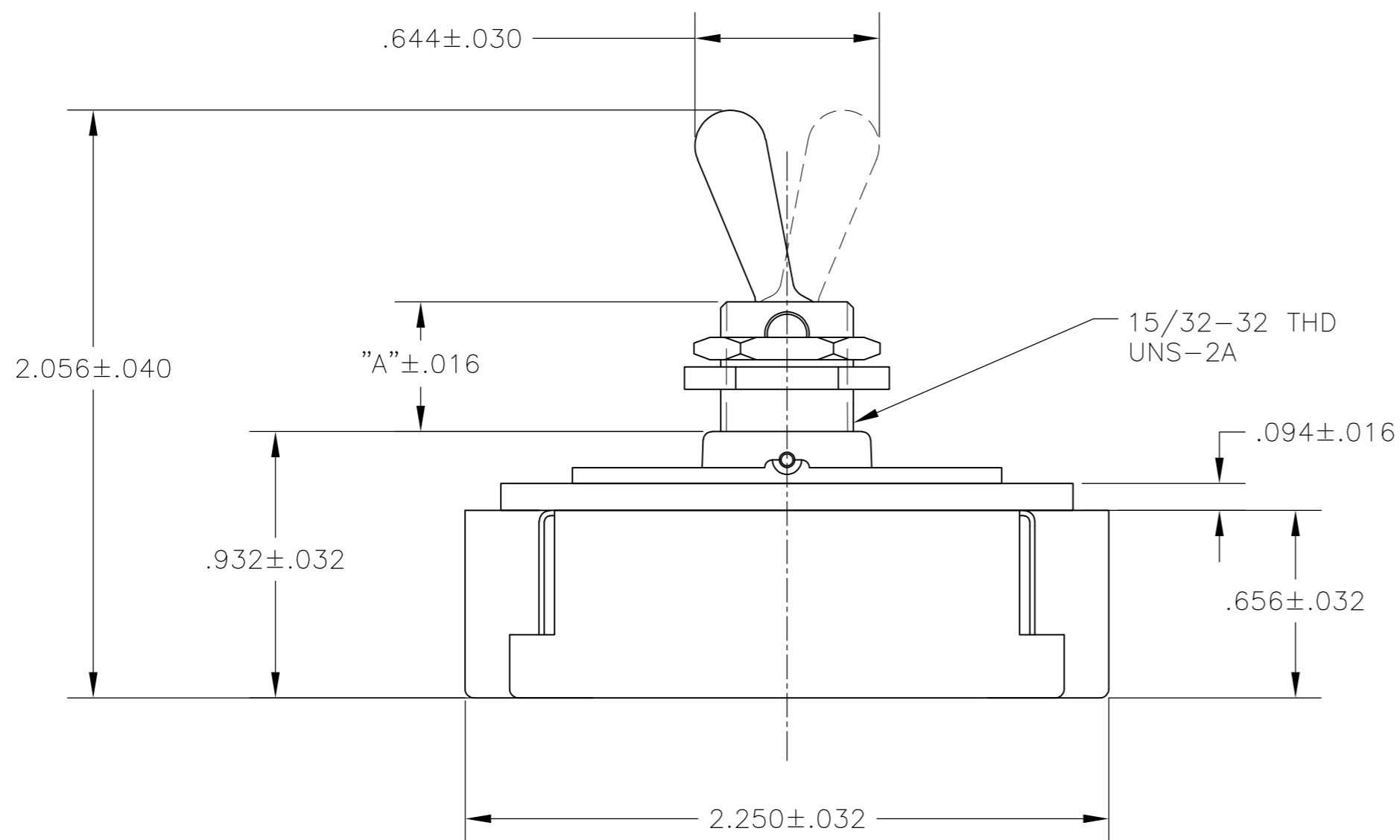


THIS DRAWING IS UNPUBLISHED. RELEASED FOR PUBLICATION
 © COPYRIGHT - By - ALL RIGHTS RESERVED.

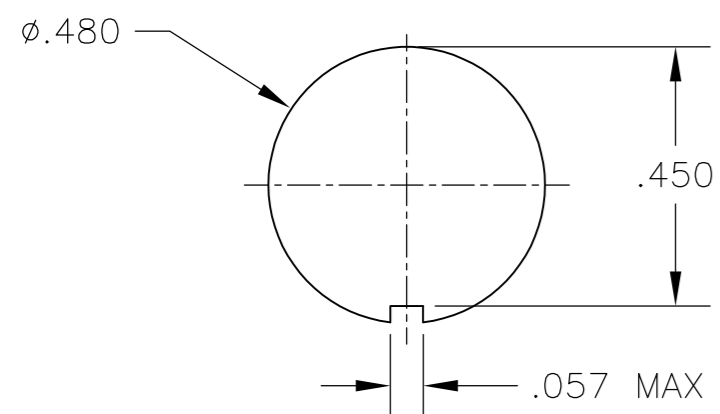
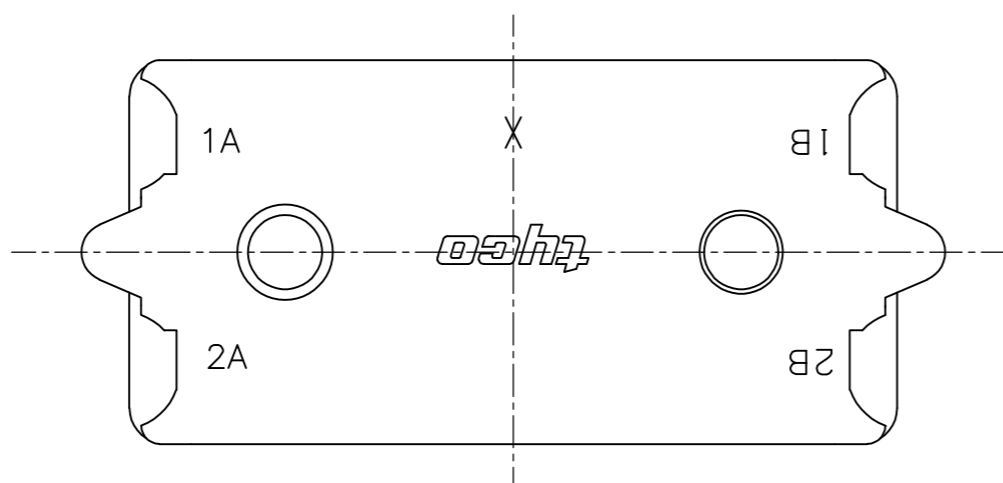
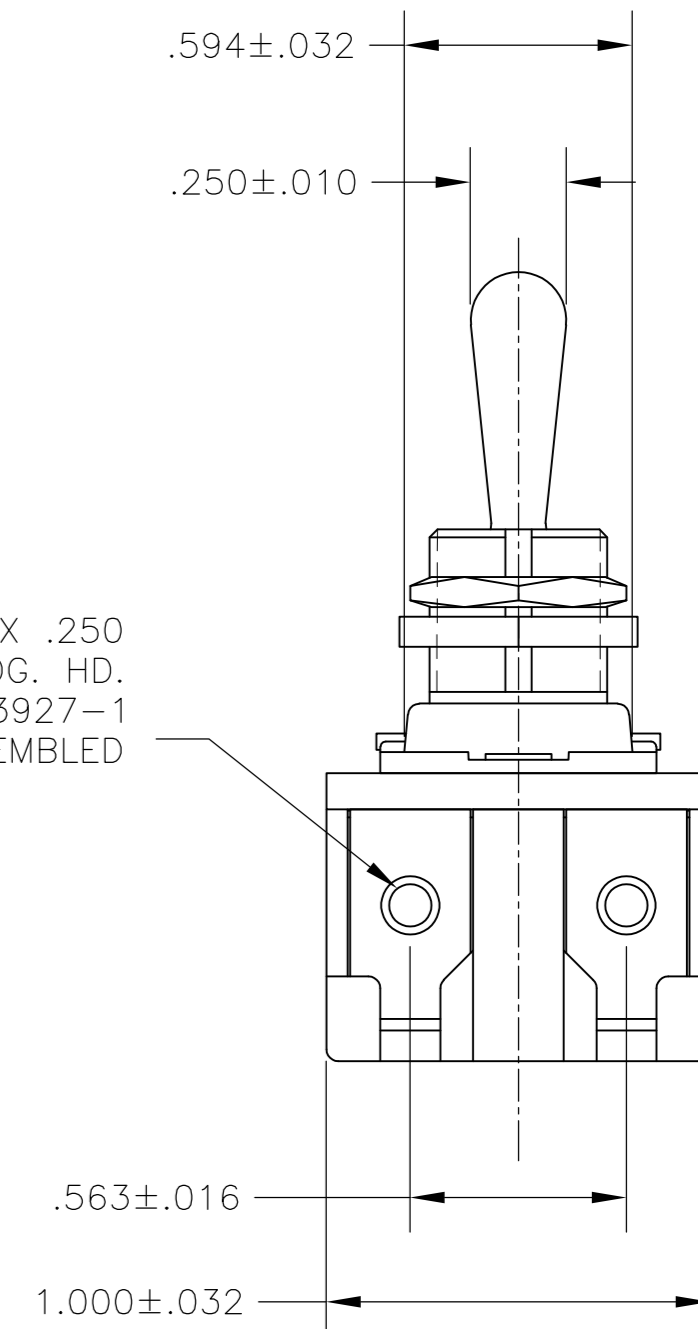
| LOC | DIST | REVISIONS | | | |
|-----|------|-------------|---------------------------|---------|-------|
| P | LTR | DESCRIPTION | DATE | DWN | APVD |
| AD | 00 | A | REVISED PER ECO-12-002763 | 13FEB12 | KH PO |



1 SWITCH MEETS REQUIREMENTS OF TEST 60-360 & UL1054



4 HOLES FOR 6-32 X .250
 LONG UNDERCUT BDG. HD.
 SCREW PART NO. 1523927-1
 SHIPPED UNASSEMBLED



RECOMMENDED
 PANEL CUTOUT DIMENSIONS
 SCALE 3:1

91-399

| | | | | |
|----------------------------|------|-------------|----------|-----------|
| 15/32" THD LENGTH DIE CAST | .469 | DPST | 7360K8 | 1825476-1 |
| BUSHING / PLATE ASSY | A | DESCRIPTION | ARAB NO. | PART NO. |

| | | | | | | | |
|---|--|------------------|-----------|--|-----------|------------|---------------|
| THIS DRAWING IS A CONTROLLED DOCUMENT. | | DWN | 19JAN2012 | TE Connectivity MODIFIED SHELF ITEM ONL | | | |
| DIMENSIONS: INCHES | | CHK | 19JAN2012 | | | | |
| TOLERANCES UNLESS OTHERWISE SPECIFIED: | | APVD | 19JAN2012 | | | | |
| 0 PLC ± - 1 PLC ± - 2 PLC ± - 3 PLC ± - 4 PLC ± - ANGLES ± - FINISH - | | NAME | | | | | |
| MATERIAL | | WEIGHT | - | SIZE | CAGE CODE | DRAWING NO | RESTRICTED TO |
| | | CUSTOMER DRAWING | | A2 | 00779 | C=1825476 | - |
| | | SCALE | 2:1 | SHEET | 1 of 1 | REV | A |

X-ON Electronics

Largest Supplier of Electrical and Electronic Components

Click to view similar products for [Toggle Switches](#) category:

Click to view products by [TE Connectivity](#) manufacturer:

Other Similar products are found below :

[8A1-C-222](#) [60012L](#) [6006L](#) [6663](#) [7101MD9V30GE](#) [7101SPDV30BE](#) [7103SDV30BE](#) [7105D](#) [7108P3YAV2BE](#) [71YY50282](#)
[7201MD9AVBE](#) [7301K38](#) [7306K36](#) [7310K36](#) [7314K36](#) [7506K4](#) [7660K12](#) [7691K14](#) [7700K1](#) [FA75A-CBL](#) [8396K108](#) [8824K14](#) [8828K13](#)
[G2VX](#) [G3VX](#) [PS83-121G](#) [A101MD9AB04](#) [A101SD9AB04](#) [A101SDCQ04](#) [A103SD9AQ04](#) [A107TZB04](#) [A123P32YZQ](#) [A123S1YZG](#)
[A127S1YCQ](#) [1-1825192-0](#) [A131S1YZQ](#) [A201SCWZB04](#) [A207SYCB04](#) [A208J61ZQ0004](#) [A221K12KAG](#) [A221S1YZQ](#) [A221T1TCQ](#)
[A232K12KZQ](#) [A232M1YCQ](#) [A323S1CWZQ](#) [A423S1CWZG-M8](#) [A423S1YZQ](#) [12149A-3V](#) [12156AX408](#) [12147AGKX679](#)