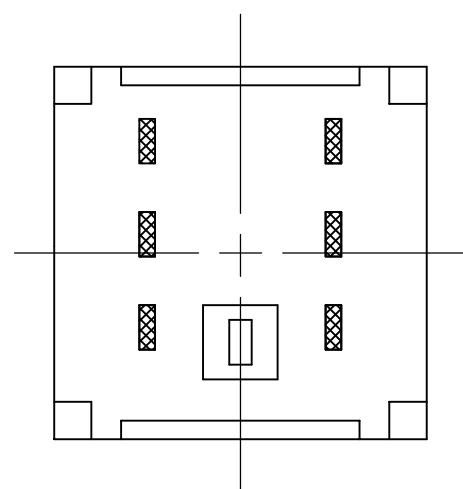
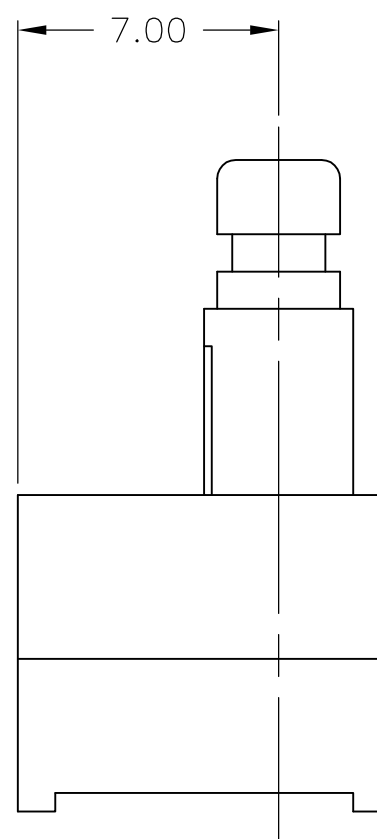
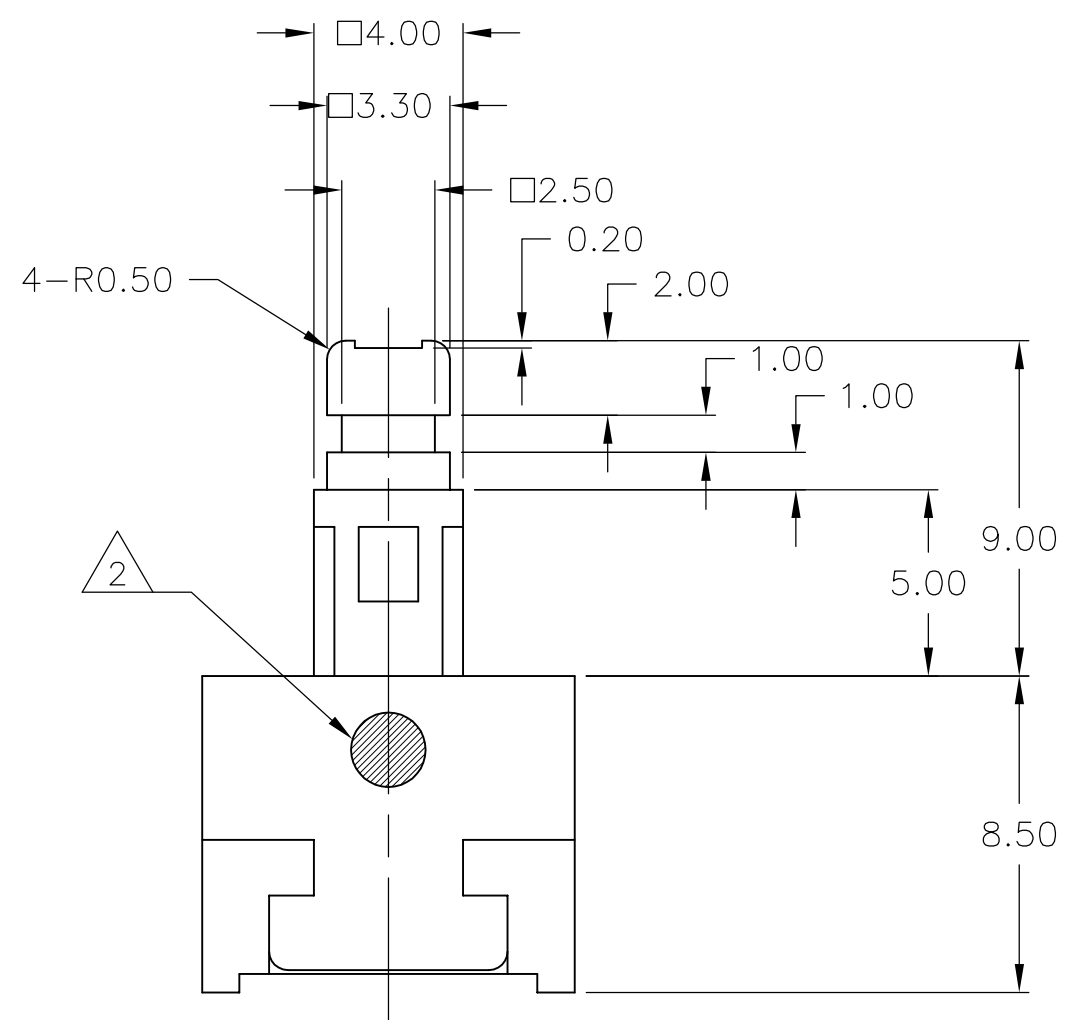
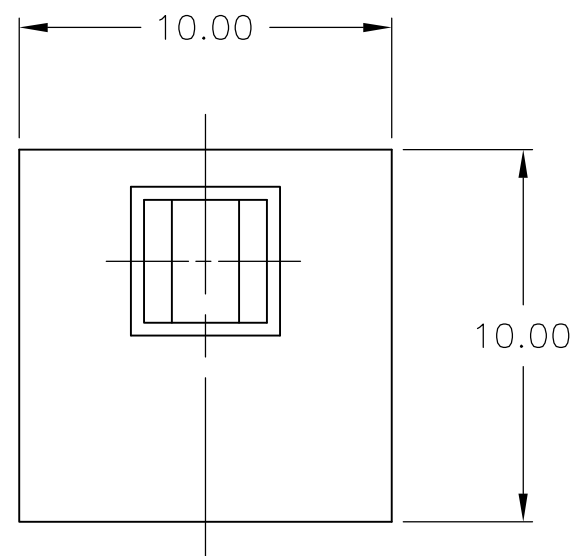


THIS DRAWING IS UNPUBLISHED. RELEASED FOR PUBLICATION  
 © COPYRIGHT - By - ALL RIGHTS RESERVED.

REVISIONS					
P	LTR	DESCRIPTION	DATE	DWN	APVD
	B2	REVISED PER ECO-17-001162	14AUG2017	SK	PO



SPECIFICATIONS:

BREAK BEFORE MAKE (NON-SHORTING) CONFIGURATION  
 MAX CONTACT RATING: 100 MILLIAMPS @ 30V DC

OPERATING FORCE: 200±50 GRAMS-FORCE  
 LIFE EXPECTANCY: 100,000 CYCLES

CASE: PBT (UL 95HB) BLACK  
 COVER: NYLON 66 (UL 94HB) BLACK  
 ACTUATOR BUTTON: THERMOPLASTIC (UL 94 HB) BLUE

- 1 100,000 CYCLES ACTUATION FORCE DEVIATION <10% OF ORIGINAL STARTING.
- 2 WHITE PAINT DOT APPROXIMATE SIZE 2.00mm POSITION APPROXIMATE AS SHOWN.

	2	200±50gf	1	SELF LOCK	FULL: 2.5 LOCK: 1.5	BLUE	1825491-3
OBSOLETE		200±50gf	1	SELF LOCK	FULL: 2.5 LOCK: 1.5	BLUE	1825491-1
	MARKING	OPERATING FORCE	OPERATING MODE	TRAVEL	PUSH COLOR	PART NUMBER	

THIS DRAWING IS A CONTROLLED DOCUMENT.		DWN M.BINNER 06JUL2006				
DIMENSIONS: mm		CHK M.WILBOURN 06JUL06				
TOLERANCES UNLESS OTHERWISE SPECIFIED:		APVD M.WILBOURN 06JUL06	NAME SWITCH LATCHING, UNPOPULATED			
0 PLC ± -		PRODUCT SPEC	SIZE A2			
1 PLC ± 0.30		APPLICATION SPEC	CAGE CODE 00779			
2 PLC ± -			DRAWING NO C=1825491			
3 PLC ± -			RESTRICTED TO			
4 PLC ± -			SCALE 5:1			
ANGLES ± -			SHEET 1 of 1			
MATERIAL		WEIGHT 0	REV B2			
FINISH		CUSTOMER DRAWING				

## X-ON Electronics

Largest Supplier of Electrical and Electronic Components

*Click to view similar products for [Pushbutton Switches](#) category:*

*Click to view products by [TE Connectivity](#) manufacturer:*

Other Similar products are found below :

[8940K2012](#) [LW1L-M1C10V-A](#) [LW1L-M1C70-A](#) [LW2L-A1C20M-GD](#) [LW2L-M1C20M-A](#) [60324L](#) [M22-D-R-GB0/K11](#) [M7E-HRN2](#)  
[67021K512](#) [67081K512X](#) [701PB580](#) [7199K101](#) [810K12910](#) [810KSV30B](#) [MML21EA2ADK](#) [MML21KA3ABK](#) [MML23KA3AC05K-001](#)  
[MML23KW3AA01W](#) [8418K2](#) [8442K3](#) [8450K1](#) [860K11911T01A](#) [861901](#) [861K11911T01A07](#) [861K13810T00A14](#) [861K13911](#)  
[8646AB6X718UL](#) [8646ABUL](#) [9001KXRK](#) [907AYY100](#) [PMHD155A1](#) [9533CD4+U574+U4922](#) [95-414.000](#) [99-450.837](#) [99-453.837](#)  
[PV3H2B0NN-341](#) [1203MRA](#) [A22NZBGANGA](#) [A22NZBNANGA](#) [A22NZMPATRA](#) [A2PMA1X03EC56](#) [A3A-5123-02](#) [A3A-7140](#) [A3A-7310](#) [A3A-7340](#) [A3U-TMW-A2C-5M](#) [A595](#) [12037A2ULCSA](#) [ABD122N-B](#) [1211390004](#)