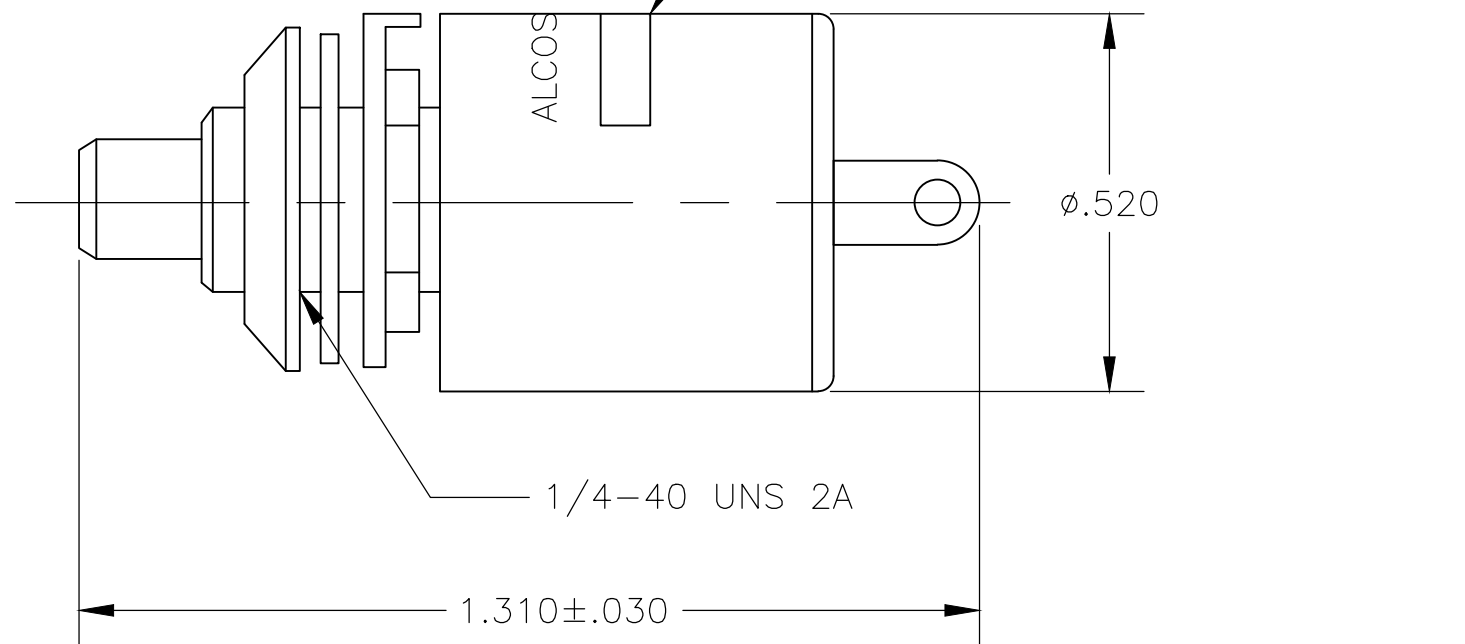
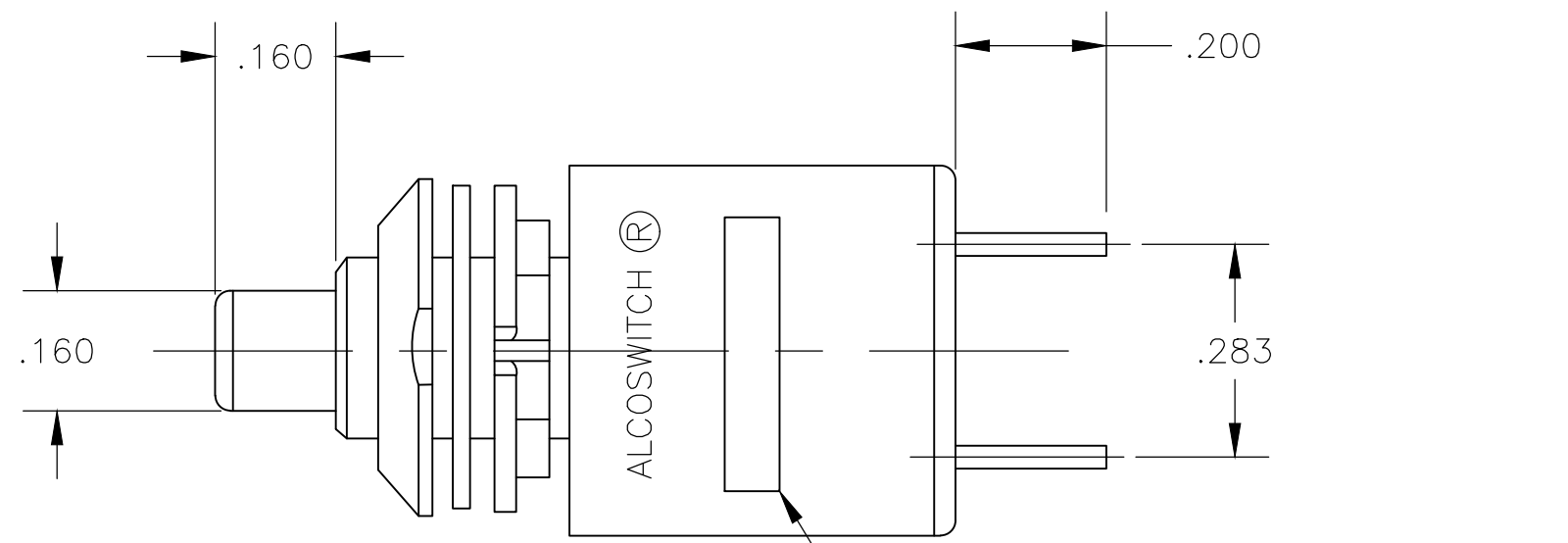
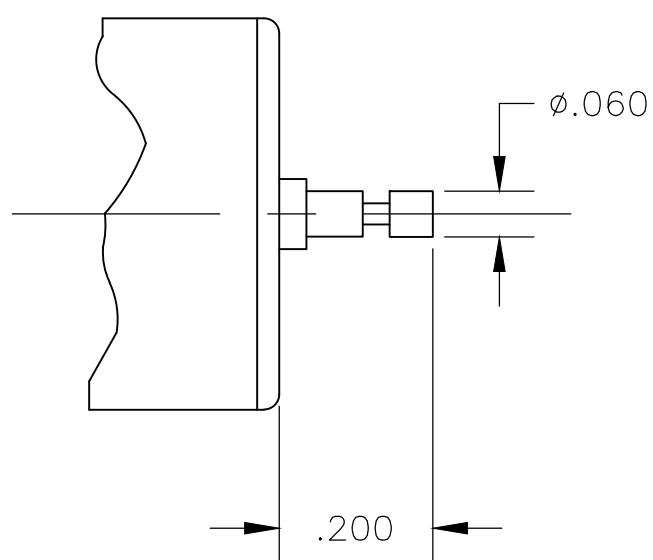


THIS DRAWING IS UNPUBLISHED. RELEASED FOR PUBLICATION  
 © COPYRIGHT - By - ALL RIGHTS RESERVED.

REVISIONS					
P	LTR	DESCRIPTION	DATE	DWN	APVD
	A3	REVISED PER ECO-18-016640	21JAN2019	SR	PO



LUG TERMINAL



PIN TERMINAL OPTION

NOTES:

1. TERMINAL NUMBERS ARE FOR REFERENCE ONLY AND DO NOT APPEAR ON SWITCHES.
2. EACH SWITCH SUPPLIED WITH THE FOLLOWING MOUNTING HARDWARE:  
 (1) DECORATIVE NUT  
 (1) HEX NUT  
 (1) INTERNAL TOOTH LOCKWASHER  
 (1) LOCATING RING
3. ALL MATERIALS AND FINISHES SHALL COMPLY WITH EU DIRECTIVE 2002/95/EC OF 27JAN2003 (ROHS).
4. LUG TERMINALS ACCEPT STANDARD .110 QUICK CONNECT RECEPTACLES. PIN TERMINALS USEABLE FOR PCB APPLICATIONS.

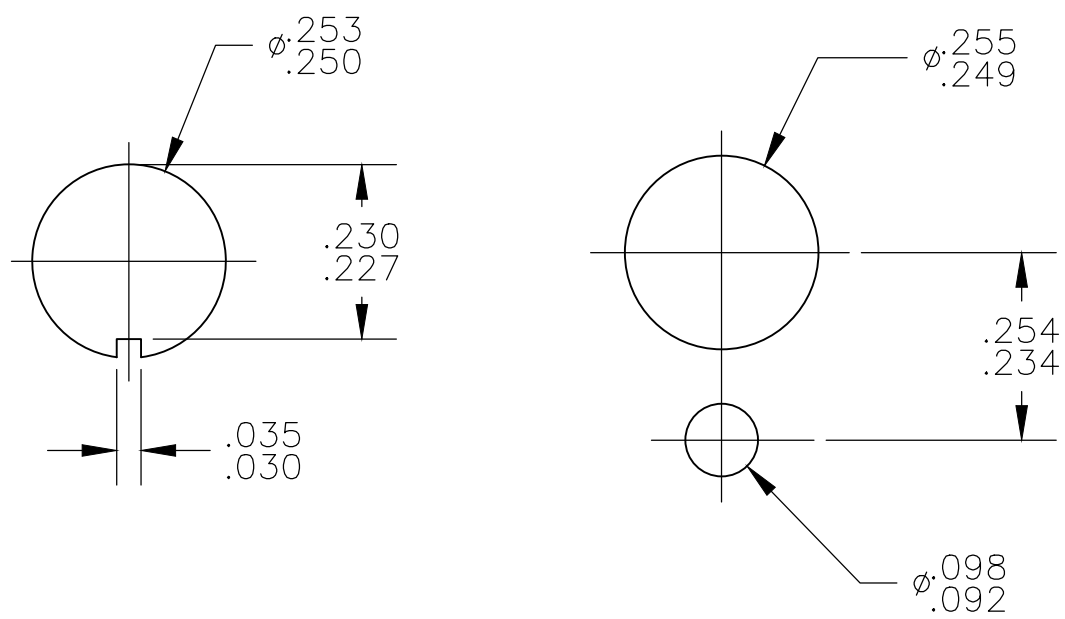
	LUG	RED	NORMALLY OPEN	1	1	MSPM101CS104	1825539-4
OBSOLETE	PIN	RED	NORMALLY OPEN	1	1	MSPM101CS04	1825539-3
	LUG	BLACK	NORMALLY CLOSED	1	1	MSPM101BS104	1825539-2
OBSOLETE	PIN	BLACK	NORMALLY CLOSED	1	1	MSPM101BS04	1825539-1
	TERMINAL STYLE	CAP COLOR	ACTION	THROWS	POLES	ALCO P/N	P/N

THIS DRAWING IS A CONTROLLED DOCUMENT.		DWN	14OCT92	TE Connectivity Ltd.			
		CHK	15OCT92				
		APVD	19OCT92				
		PRODUCT SPEC	J.JORDAN				
DIMENSIONS: INCHES		TOLERANCES UNLESS OTHERWISE SPECIFIED:		NAME			
0 PLC ± - 1 PLC ± - 2 PLC ± - 3 PLC ± .010 4 PLC ± - ANGLES ± 1°		FINISH		PUSH BUTTON SWITCH, MAGNETIC REED, HERMETICALLY SEALED, AUDIBLE DETENT			
MATERIAL SEE SPECIFICATIONS		FINISH SEE SPECIFICATIONS		WEIGHT -		RESTRICTED TO	
				A2 00779		C=1825539	
CUSTOMER DRAWING				SCALE	4:1	SHEET	1 OF 2
				REV		A3	

1825539

THIS DRAWING IS UNPUBLISHED. RELEASED FOR PUBLICATION  
 © COPYRIGHT - By - ALL RIGHTS RESERVED.

REVISIONS					
P	LTR	DESCRIPTION	DATE	DWN	APVD
-	-	SEE SHEET 1	-	-	-



RECOMMENDED HOLE LAYOUT TO PREVENT ROTATION

MATERIALS		
COMPONENT NAME	BASE MATERIAL	FINISH
CASE	STEEL	
ACTUATOR BUTTON	POLYAMIDE, SEE CHART FOR COLOR	
MOVING CONTACT	COPPER ALLOY	GOLD OVER NICKEL
FIXED CONTACT	COPPER ALLOY	GOLD OVER NICKEL
TERMINALS	COPPER ALLOY	TIN OVER NICKEL

SPECIFICATIONS	
RATING	1.0VA OPTIMUM (100mA MAX., 50 VDC MAX.)
INITIAL CONTACT RESISTANCE	100 MILLIOHMS
INSULATION RESISTANCE	1000 MEGOHMS MIN.
DIELECTRIC WITHSTANDING VOLTAGE	1000 VRMS AT SEA LEVEL
DURABILITY	5000000 CYCLES AT .1VA 50000 CYCLES AT 5VA
OPERATING FORCE	TACTILE KEYBOARD FEEL 4 TO 7 OZ. BREAKAWAY REDUCING IMMEDIATELY TO 1.5 OZ. FOLLOW-THROUGH
TRAVEL	.079 +/- .008
OPERATING TEMPERATURE	-10C TO +80C
STORAGE TEMPERATURE	-10C TO +80C

THIS DRAWING IS A CONTROLLED DOCUMENT.		DWN 14OCT92 M.M.	<b>STE</b> TE Connectivity Ltd.
DIMENSIONS: INCHES		CHK 15OCT92 RAY.D	
TOLERANCES UNLESS OTHERWISE SPECIFIED:		APVD 19OCT92 J.JORDAN	NAME PUSH BUTTON SWITCH, MAGNETIC REED, HERMETICALLY SEALED, AUDIBLE DETENT
0 PLC ± - 1 PLC ± - 2 PLC ± - 3 PLC ± .010 4 PLC ± - ANGLES ± 1°		PRODUCT SPEC APPLICATION SPEC	
MATERIAL SEE SPECIFICATIONS	FINISH SEE SPECIFICATIONS	WEIGHT -	SIZE A2
CUSTOMER DRAWING		SCALE 4:1	CAGE CODE 00779
		SHEET 2 OF 2	DRAWING NO. 1825539
		REV A3	RESTRICTED TO

1825539

## X-ON Electronics

Largest Supplier of Electrical and Electronic Components

*Click to view similar products for [Pushbutton Switches](#) category:*

*Click to view products by [TE Connectivity](#) manufacturer:*

Other Similar products are found below :

[8940K2012](#) [LW1L-M1C10V-A](#) [LW1L-M1C70-A](#) [LW2L-A1C20M-GD](#) [LW2L-M1C20M-A](#) [60324L](#) [M22-D-R-GB0/K11](#) [M7E-HRN2](#)  
[67021K512](#) [67081K512X](#) [701PB580](#) [7199K101](#) [810K12910](#) [810KSV30B](#) [MML21EA2ADK](#) [MML21KA3ABK](#) [MML23KA3AC05K-001](#)  
[MML23KW3AA01W](#) [8418K2](#) [8442K3](#) [8450K1](#) [860K11911T01A](#) [861901](#) [861K11911T01A07](#) [861K13810T00A14](#) [861K13911](#)  
[8646AB6X718UL](#) [8646ABUL](#) [9001KXRK](#) [907AYY100](#) [PMHD155A1](#) [9533CD4+U574+U4922](#) [95-414.000](#) [99-450.837](#) [99-453.837](#)  
[PV3H2B0NN-341](#) [1203MRA](#) [A22NZBGANGA](#) [A22NZBNANGA](#) [A22NZMPATRA](#) [A2PMA1X03EC56](#) [A3A-5123-02](#) [A3A-7140](#) [A3A-7310](#) [A3A-7340](#) [A3U-TMW-A2C-5M](#) [A595](#) [12037A2ULCSA](#) [ABD122N-B](#) [1211390004](#)