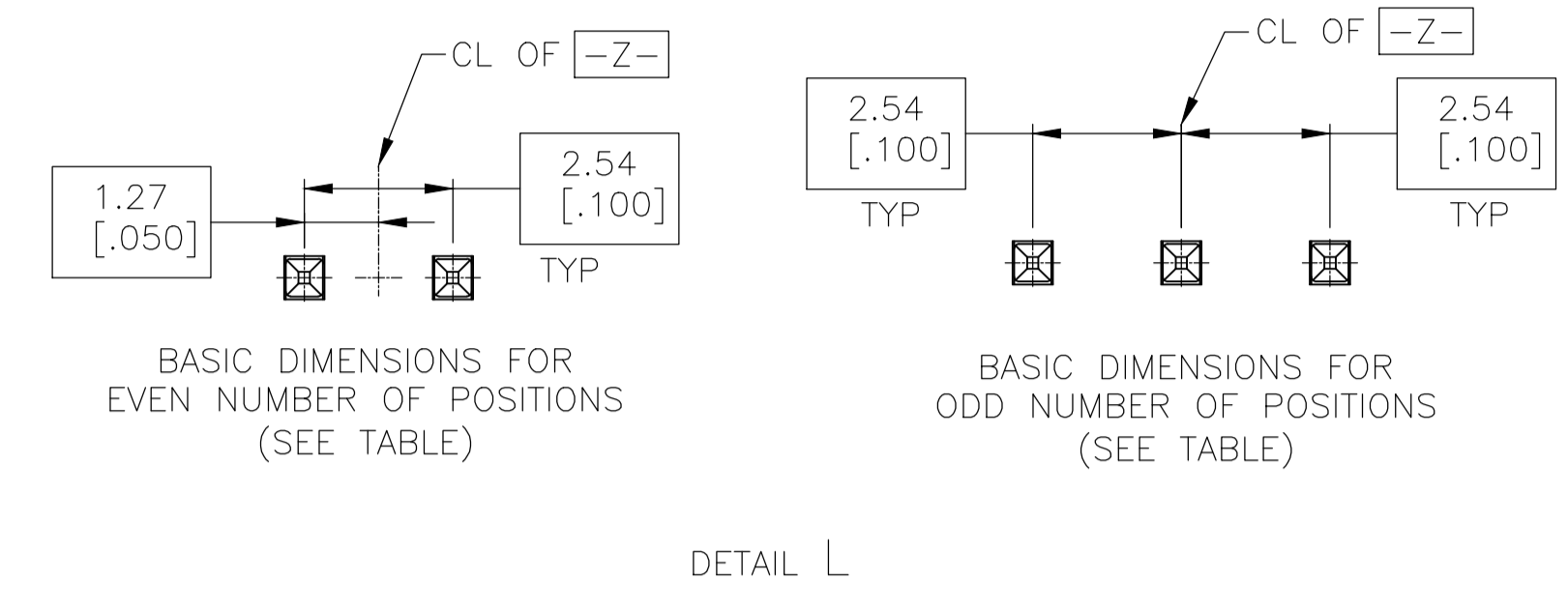
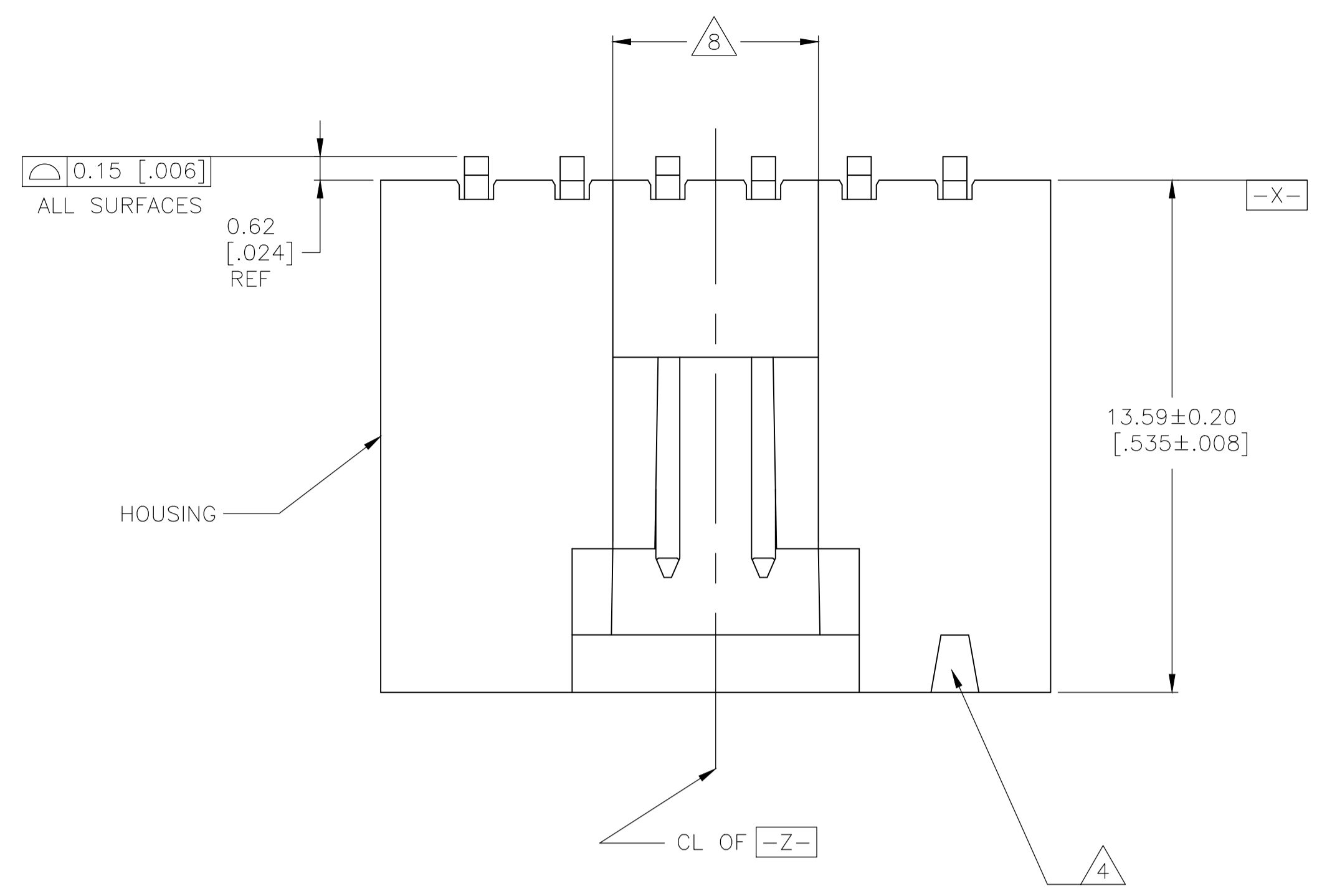
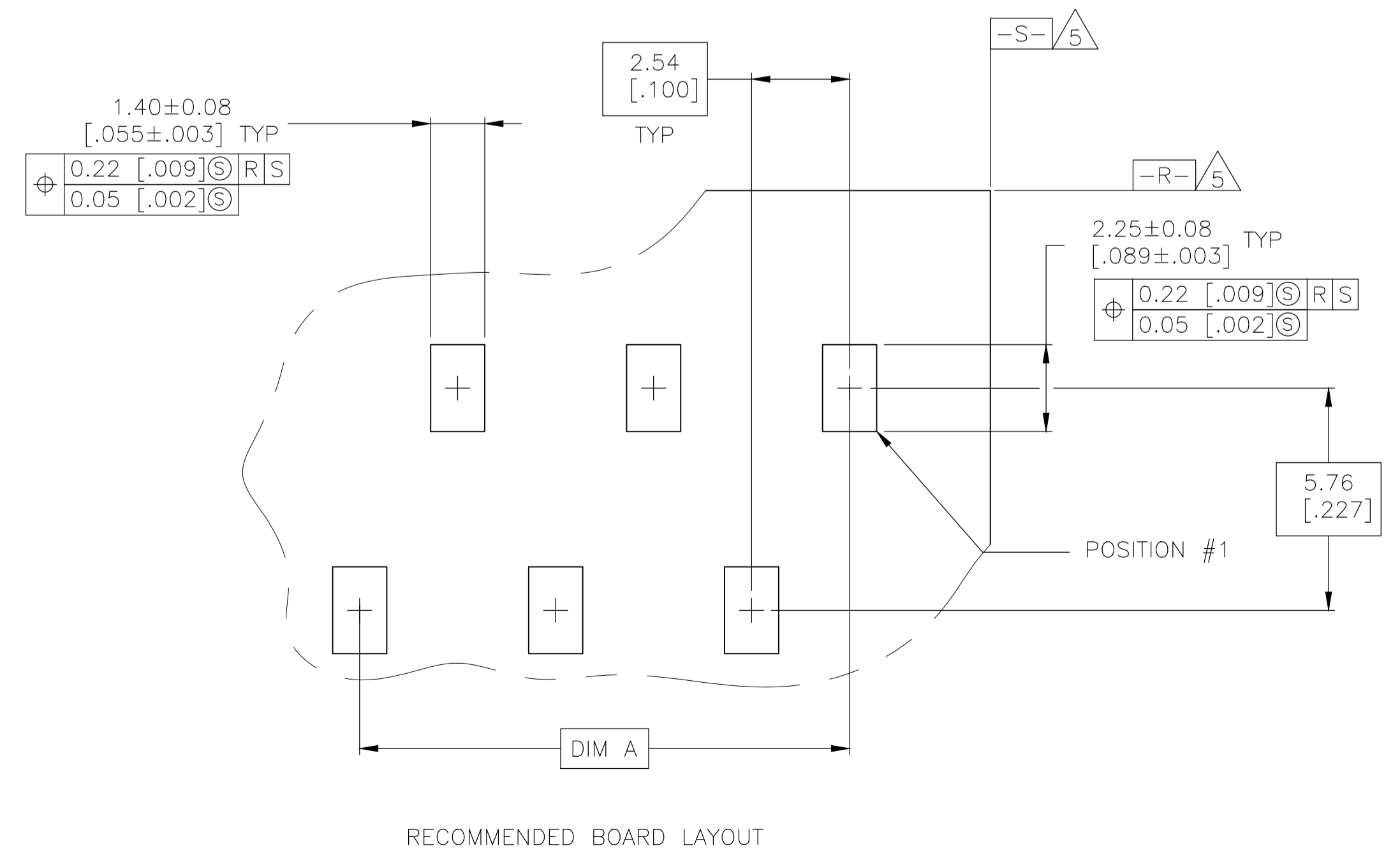
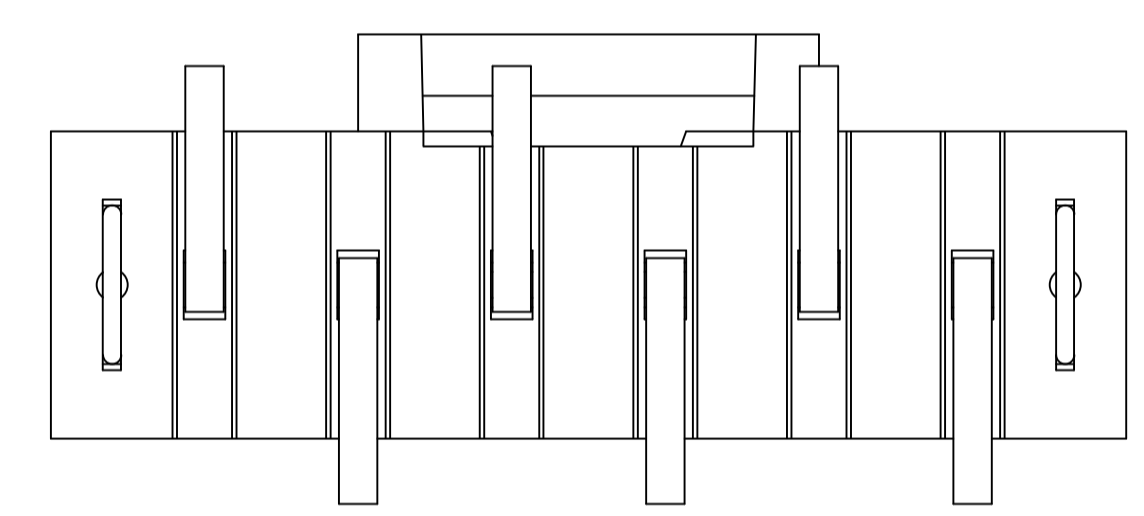
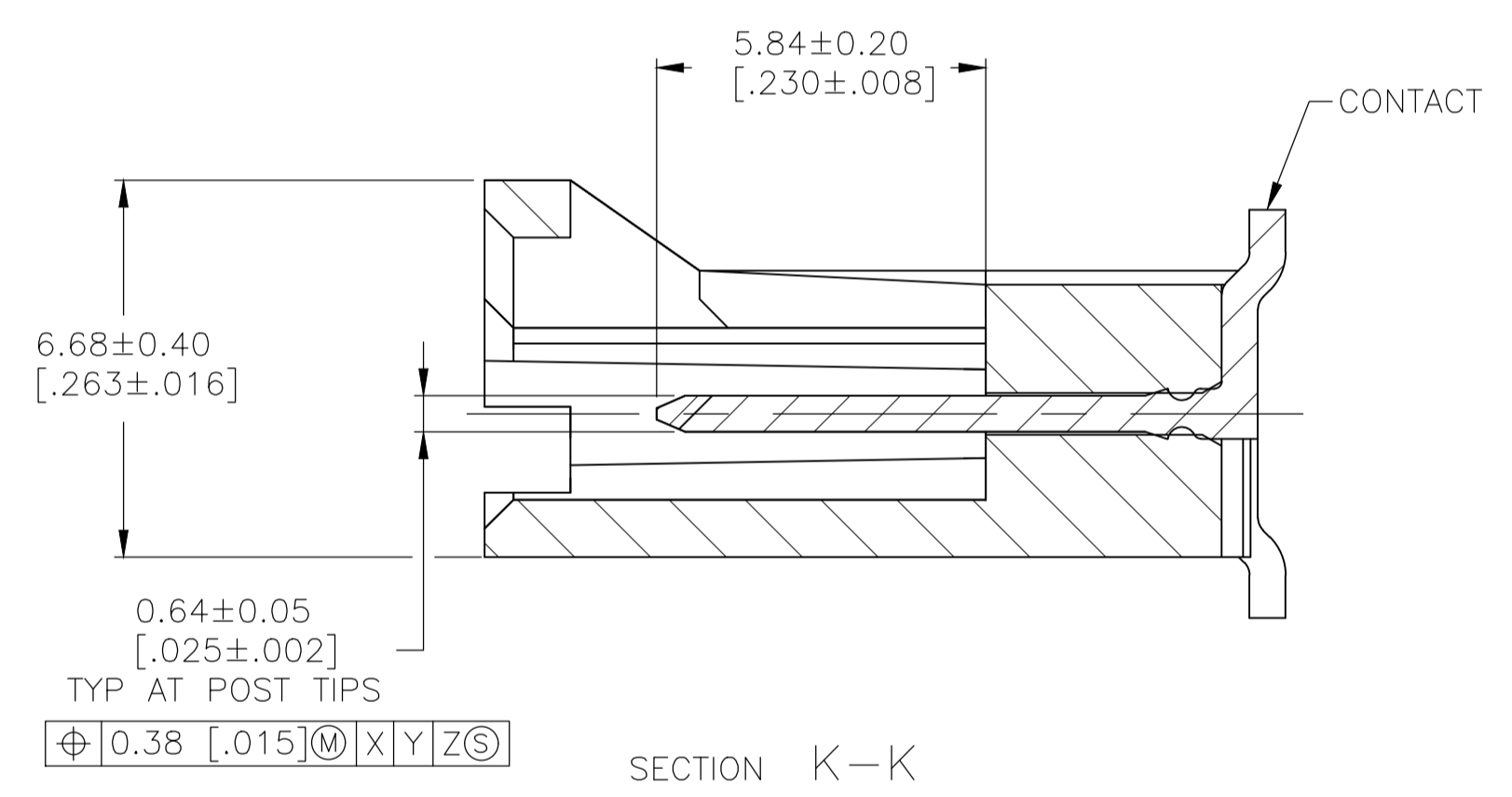
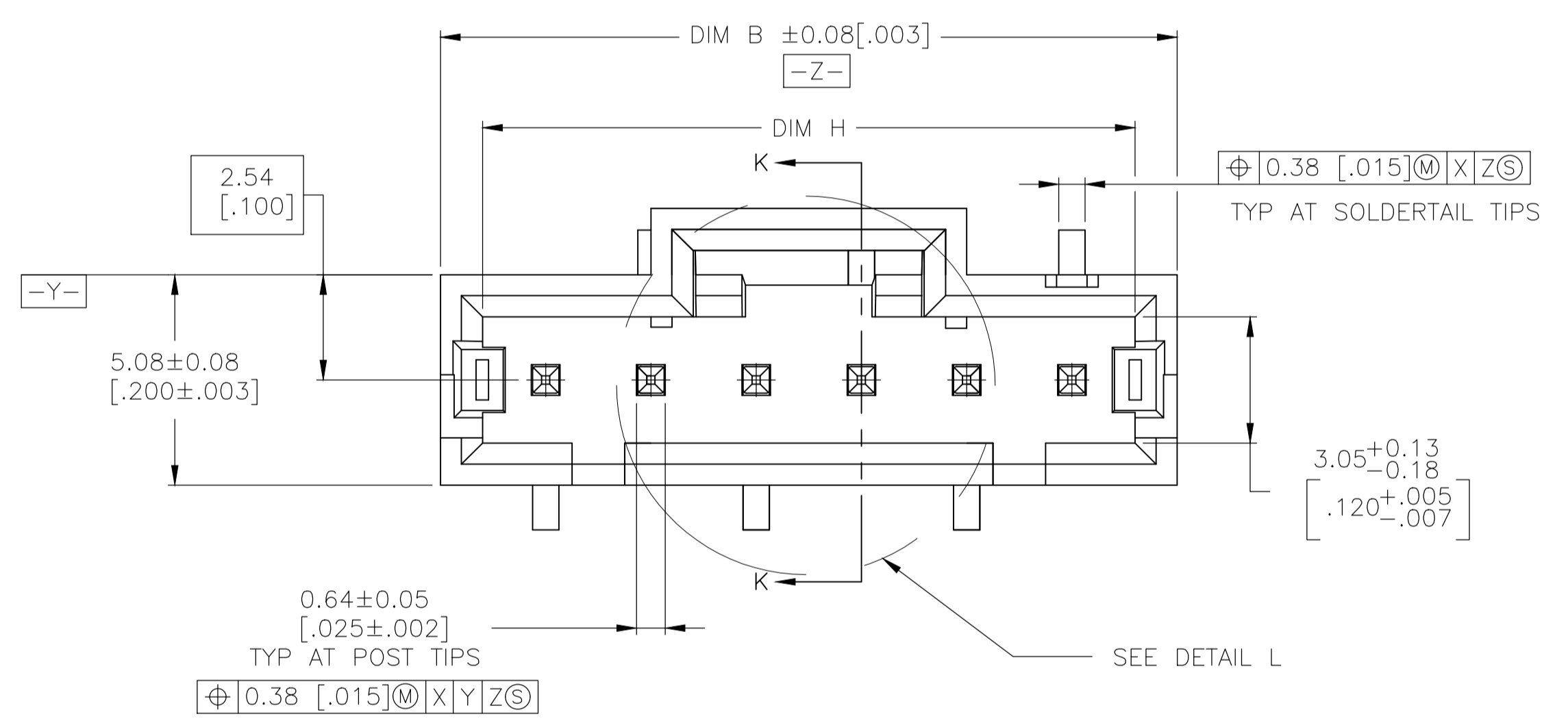


REVISIONS					
P	LTR	DESCRIPTION	DATE	DMN	APVD
G	REVISED PER	ECO-20-001912	04JUN2020	SB	JO



- 1 PACKAGE: TUBES
- 2 MATERIAL: HOUSING- HIGH TEMPERATURE LCP, COLOR - BLACK, CONTACTS- BRASS
- 3 FINISH: CONTACTS: 0.00254[.000100] - 0.00508[.000200] BRIGHT TIN-LEAD OVER 0.00127[.000050] NICKEL
- 4 CIRCUIT POSITION #1 IDENTIFICATION MARK
- 5 DATUMS ARE ESTABLISHED BY CUSTOMER
- 6 PRELIMINARY PART - NOT RELEASED FOR PRODUCTION
- 7 FINISH: CONTACTS: 0.00254[.000100] - 0.00508[.000200] MATTE TIN OVER 0.00127[.000050] NICKEL.
- 8 0.25 [.010] RECESS PERMISSIBLE IN THIS AREA FOR MOLD SHUT OFF



	FINISH	H	B	A	NO OF POSN	PART NUMBER
7		41.18[1.620]	43.05[1.695]	38.13[1.500]	16	5-1825574-8
7		10.68[.420]	12.57[.495]	7.63[.300]	4	5-1825574-7
7		43.69[1.720]	45.59[1.795]	40.64[1.600]	17	5-1825574-4
3		15.75[.620]	17.65[.695]	12.70[.500]	6	1825574-6
3		38.61[1.520]	40.51[1.595]	35.56[1.400]	15	1825574-5
3		43.69[1.720]	45.59[1.795]	40.64[1.600]	17	1825574-4
3		36.07[1.420]	37.97[1.495]	33.02[1.300]	14	1825574-3
3		30.99[1.220]	32.89[1.295]	27.94[1.100]	12	1825574-2
3		48.77[1.920]	50.67[1.995]	45.72[1.800]	19	1825574-1

THIS DRAWING IS A CONTROLLED DOCUMENT.

DIMENSIONS: mm [INCHES]	TOLERANCES UNLESS OTHERWISE SPECIFIED:	0 PLC ± -	1 PLC ± -	2 PLC ± 0.13 [.005]	3 PLC ± -	4 PLC ± -	ANGLES ± -
-------------------------	--	-----------	-----------	---------------------	-----------	-----------	------------

MATERIAL: 2

FINISH: SEE TABLE

WEIGHT: -

CUSTOMER DRAWING

DIN R BROWN 07MAR06  
CHK J GEFSEFORD 06MAR06  
APVD J GEFSEFORD 06MAR06  
NAME: AMPMODU MTE SURFACE MOUNT, VERTICAL HEADER ASSEMBLY  
PRODUCT SPEC: 108-25034-2  
APPLICATION SPEC: 114-25026

SIZE: A1  
SCALE: 8:1  
SHEET: 1 of 1  
REV: G

TE Connectivity  
AMPMODU MTE SURFACE MOUNT, VERTICAL HEADER ASSEMBLY  
108-25034-2  
114-25026  
1825574

## X-ON Electronics

Largest Supplier of Electrical and Electronic Components

*Click to view similar products for [Headers & Wire Housings](#) category:*

*Click to view products by [TE Connectivity](#) manufacturer:*

Other Similar products are found below :

[95000-104TRLF](#) [10135584-644402LF](#) [DF62W-EP2022PCA](#) [95000-106TRLF](#) [DF62W-2022SCA](#) [DF62W-EP2022PC](#) [2203348](#) [DF62W-2022SC](#) [1084018](#) [1029039](#) [1084017](#) [802-10-012-10-002000](#) [1112640](#) [1112639](#) [000-34000](#) [0009482033](#) [0009507031](#) [57102-S06-03LF](#) [57202-S52-04LF](#) [PCN6-15S-2.5E](#) [0039019024](#) [58102-G61-06LF](#) [582553-1](#) [0009508121](#) [0050291907](#) [018731A](#) [LY20-4P-DT1-P1E-BR](#) [02.125.8002.8](#) [60101931](#) [60598-1 \(Cut Strip\)](#) [M1625-3R/100](#) [61062-3](#) [61082-181009](#) [636-1427](#) [638009-1](#) [641938-9](#) [641991-4](#) [644168-1](#) [647662-1](#) [65039-019ELF](#) [65817-002LF](#) [65817-015LF](#) [65863-015LF](#) [66207-023LF](#) [67016-026LF](#) [67046-001LF](#) [67095-007LF](#) [68002-116](#) [68016-236H](#) [68648-049](#)