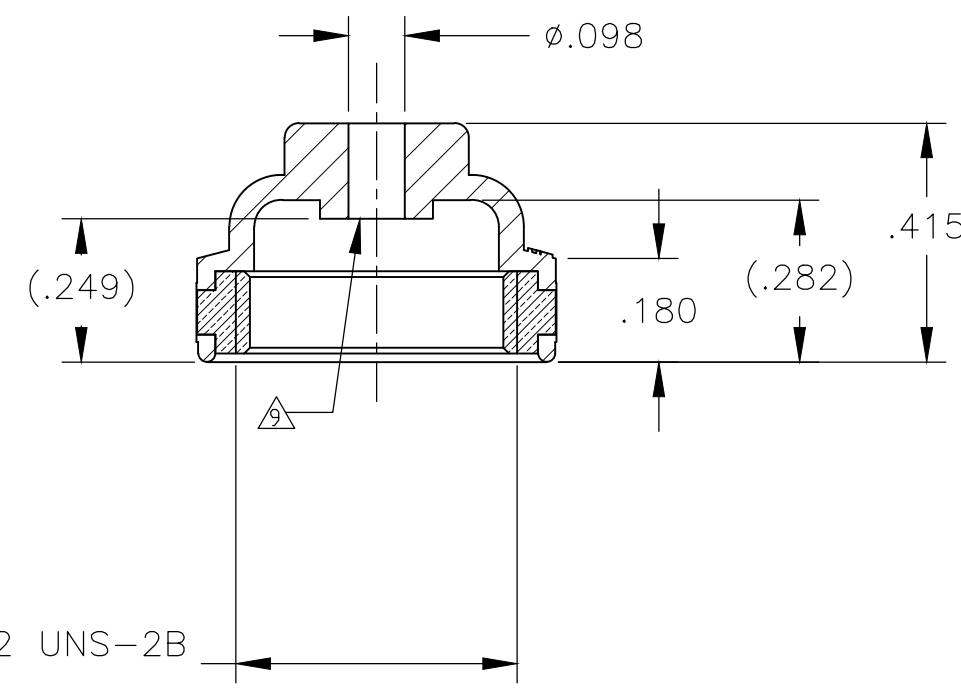
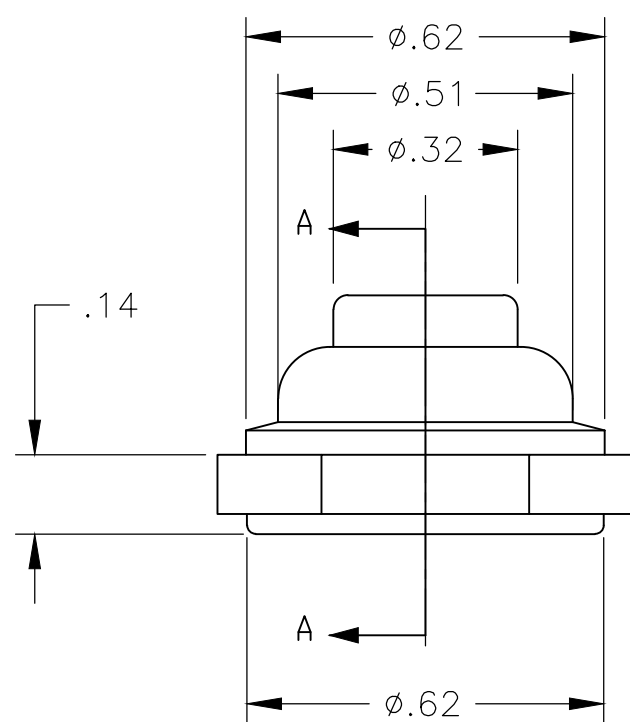
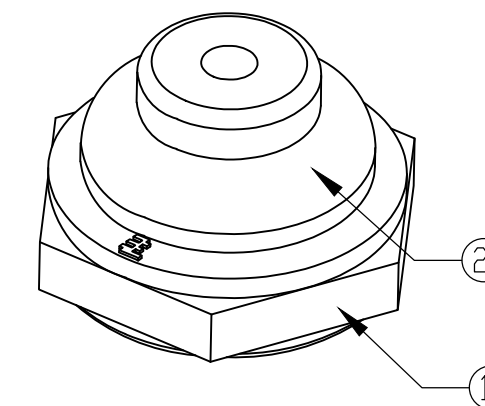
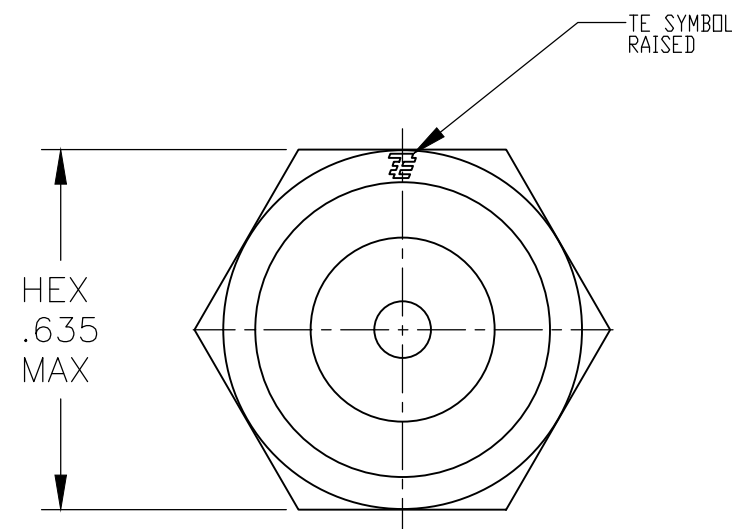


REVISIONS					
P	LTR	DESCRIPTION	DATE	DWN	APVD
B1		ECR-16-017266	01JUN2018	SR	PO



SECTION A-A

- NOTES:
- ALL COLORS AND MATERIALS MADE FROM ONE TOOL.
  - SOME DIMENSIONS MAY VARY DUE TO DIFFERENT COMPOUND SHRINKAGE FACTOR.
  - MINOR FLASH ACCEPTABLE ON INSERT THREAD.
  - BLACK FINISH/NICKEL PLATING ON INSIDE THREADS REMOVED DUE TO MOLDING PROCESS PERMITTED.
  - RUBBER TO METAL BOND MUST MEET OR EXCEED THE TEAR STRENGTH OF RUBBER.
  - RUBBER OVERLAY PERMISSIBLE OVER HEX FLATS AS SHOWN IN THE DRAWING.
  - TREAT WITH PERMANENT LUBRICANT
  - COMPONENTS MUST COMPLY WITH THE EUROPEAN DIRECTIVE 2002/95/EC ON RESTRICTION OF THE USE OF CERTAIN HAZARDOUS SUBSTANCES IN ELECTRICAL AND ELECTRONIC EQUIPMENT (RoHS DIRECTIVE).

	ALCO PART NUMBER	PART NUMBER	HEX NUT MATERIAL	RUBBER BOOT MATERIAL
	BT1532004	1825600-1	BRASS, BLACK OXIDE PER MIL-F-495	SILICONE, COLOR BLACK
OBSELETE	BT1532204	1825600-2	BRASS, NICKEL PLATE PER QQ-N-290	SILICONE, COLOR RED
	BT1532804	1825600-3	BRASS, NICKEL PLATE PER QQ-N-290	SILICONE, COLOR GRAY

NO.	DESCRIPTION	DRAWING NO.	MATERIAL
①	NUT 15/32-32 UNS-2B	HEX NUT 15/32-32	BRASS, FINISH AS PER ABOVE TABLE
②	RUBBER BOOT	RUBBER BOOT	SILICONE PER ZZ-R-765, CLASS 3A, GRADE 50 COLOR AS PER ABOVE TABLE

THIS DRAWING IS A CONTROLLED DOCUMENT.		DWN R BROWN 03JAN2008	 TE Connectivity Ltd.																	
DIMENSIONS: INCHES		CHK M WILBOURN 03JAN2008																		
TOLERANCES UNLESS OTHERWISE SPECIFIED:		APVD M WILBOURN 03JAN2008																		
<table border="1"> <tr><td>0 PLC</td><td>±</td><td>-</td></tr> <tr><td>1 PLC</td><td>±</td><td>-</td></tr> <tr><td>2 PLC</td><td>±</td><td>.01</td></tr> <tr><td>3 PLC</td><td>±</td><td>.005</td></tr> <tr><td>4 PLC</td><td>±</td><td>-</td></tr> <tr><td>ANGLES</td><td>±</td><td>-</td></tr> </table>		0 PLC		±	-	1 PLC	±	-	2 PLC	±	.01	3 PLC	±	.005	4 PLC	±	-	ANGLES	±	-
0 PLC	±	-																		
1 PLC	±	-																		
2 PLC	±	.01																		
3 PLC	±	.005																		
4 PLC	±	-																		
ANGLES	±	-																		
MATERIAL	FINISH	PRODUCT SPEC	SIZE																	
-	-	APPLICATION SPEC	CAGE CODE																	
		WEIGHT	DRAWING NO																	
		CUSTOMER DRAWING	A2 00779 C=1825600																	
		SCALE	RESTRICTED TO																	
		3:1	-																	
		SHEET	1 of 1																	
		REV	B1																	

## **X-ON Electronics**

Largest Supplier of Electrical and Electronic Components

*Click to view similar products for [Switch Hardware](#) category:*

*Click to view products by [TE Connectivity](#) manufacturer:*

Other Similar products are found below :

[893102000](#) [LZZ1A](#) [0098.9234](#) [61-9707.7](#) [61-9771.0](#) [M2PA-5011](#) [635401](#) [6PA104](#) [6PA113](#) [6PA147-E6](#) [6PA148-E6](#) [6PA32](#) [6PA9](#) [700106](#)  
[700109](#) [700201A56](#) [700303A56](#) [700701264](#) [700C1GRY](#) [700C2GRN](#) [704-6001](#) [704.960.4](#) [704.960.9](#) [704.965.1](#) [704.965.2](#) [704.965.6](#)  
[704.966.0](#) [7089-3](#) [71M1048](#) [757200264](#) [778000A56](#) [79215938](#) [MHU35](#) [MHU37](#) [825.003.011](#) [825.005.011](#) [825.053.011](#) [825.055.011](#)  
[826.000.071](#) [827.020.011](#) [827.400.021](#) [835.900.023](#) [MML52C10C](#) [MML52E10C](#) [MML72EEK](#) [MML92HGH](#) [MML93K](#) [84211M02CNNS](#)  
[84211M02LGRS](#) [84211M02LNNX3](#)