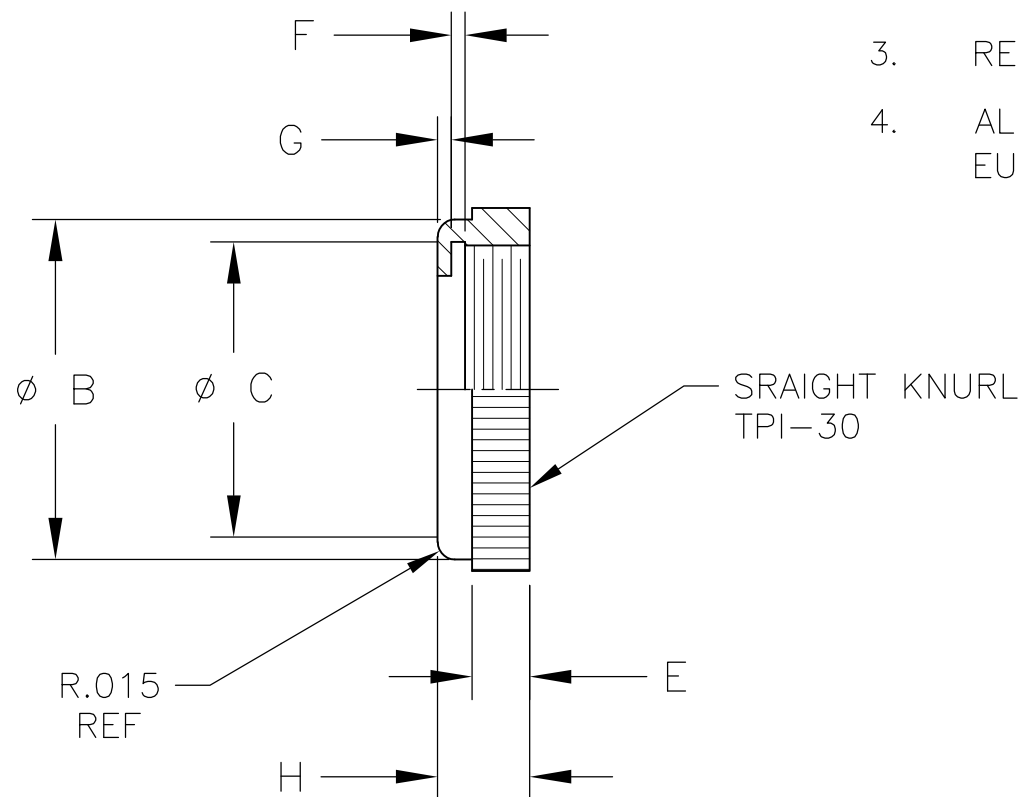
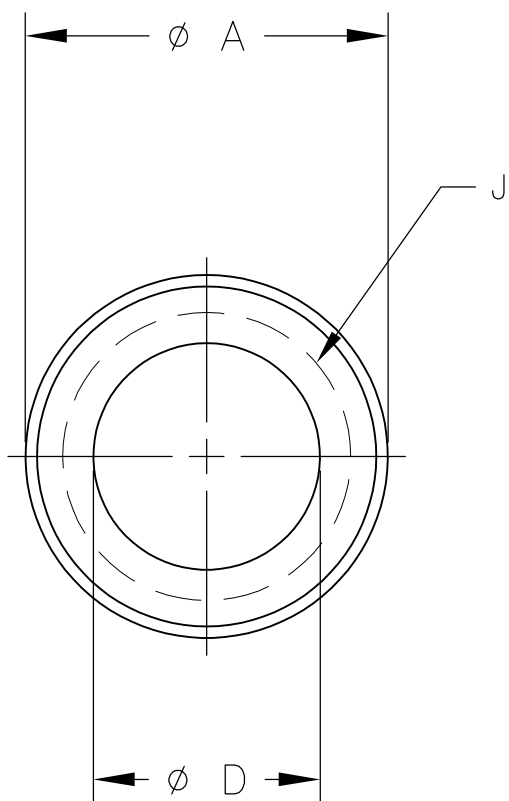


THIS DRAWING IS UNPUBLISHED. RELEASED FOR PUBLICATION  
 © COPYRIGHT BY TYCO ELECTRONICS CORPORATION. ALL RIGHTS RESERVED.

LOC AD	DIST 00	REVISIONS			
P	LTR	DESCRIPTION	DATE	DWN	APVD
	A	ECO-07-015365	12JUL07	MB	MW



- 1. FREE MACHINING BRASS
- 2. 200 MICRINCHES MIN BRIGHT NICKEL
- 3. REMOVE ALL BURRS AND SHARP EDGES
- 4. ALL MATERIALS AND FINISHES SHALL COMPLY WITH EU DIRECTIVE 2002/95/EC OF 27JAN2003 (ROHS)

15/32-32 UNS-2B	0.14	0.015	0.015	0.110	0.39	0.490	0.53	0.56	2	1	N1B04	1825622-2
1/4-40 UNS-2B	0.08	0.012	0.012	0.050	0.19	0.256	0.29	0.31	2	1	N1A04	1825622-1
J	H	G	F	E	D	C	B	A	FINISH	MATERIAL	ALCO PART NUMBER	PART NUMBER

THIS DRAWING IS A CONTROLLED DOCUMENT.

DIMENSIONS: INCHES	TOLERANCES UNLESS OTHERWISE SPECIFIED:	DWN M.BINNER 12JUL2007	Tyco Electronics Corporation Harrisburg, PA 17105-3608
	0 PLC ± -	CHK M.WILBOURN 12JUL07	
	1 PLC ± -	APVD M.WILBOURN 12JUL07	
	2 PLC ± .01	NAME DECORATIVE NUT	
	3 PLC ± .005	PRODUCT SPEC	
	4 PLC ± -	APPLICATION SPEC	
	ANGLES ± -	WEIGHT	
MATERIAL	FINISH	SIZE	CAGE CODE
1	2	A3	00779
		DRAWING NO	RESTRICTED TO
		C-1825622	-
CUSTOMER DRAWING		SCALE	SHEET
		5:1	1 OF 1
		REV	A

## **X-ON Electronics**

Largest Supplier of Electrical and Electronic Components

*Click to view similar products for [Switch Fixings](#) category:*

*Click to view products by [TE Connectivity](#) manufacturer:*

Other Similar products are found below :

[893102000](#) [00-5150](#) [LZZ1A](#) [0098.9234](#) [M2PA-5011](#) [630155](#) [635401](#) [6PA113](#) [6PA147-E6](#) [6PA148-E6](#) [6PA32](#) [6PA9](#) [700109](#) [700303A56](#)  
[700C1GRY](#) [700C2GRN](#) [704-6001](#) [704.960.4](#) [704.960.9](#) [704.965.2](#) [704.965.6](#) [704.966.0](#) [7089-3](#) [710082-B11](#) [71M1048](#) [757200264](#)  
[764300000](#) [MHU35](#) [MHU37](#) [807039-1](#) [825.003.011](#) [825.005.011](#) [825.053.011](#) [825.055.011](#) [826.000.071](#) [827.020.011](#) [827.400.021](#)  
[835.900.023](#) [MML52C10C](#) [MML52E10C](#) [MML92HGH](#) [MML93K](#) [84211M02CNNS](#) [84212M02CNNS](#) [84217A8.0LNOS](#) [842.500.011](#)  
[843.000.011](#) [843187-000](#) [843487-000](#) [84-901](#)