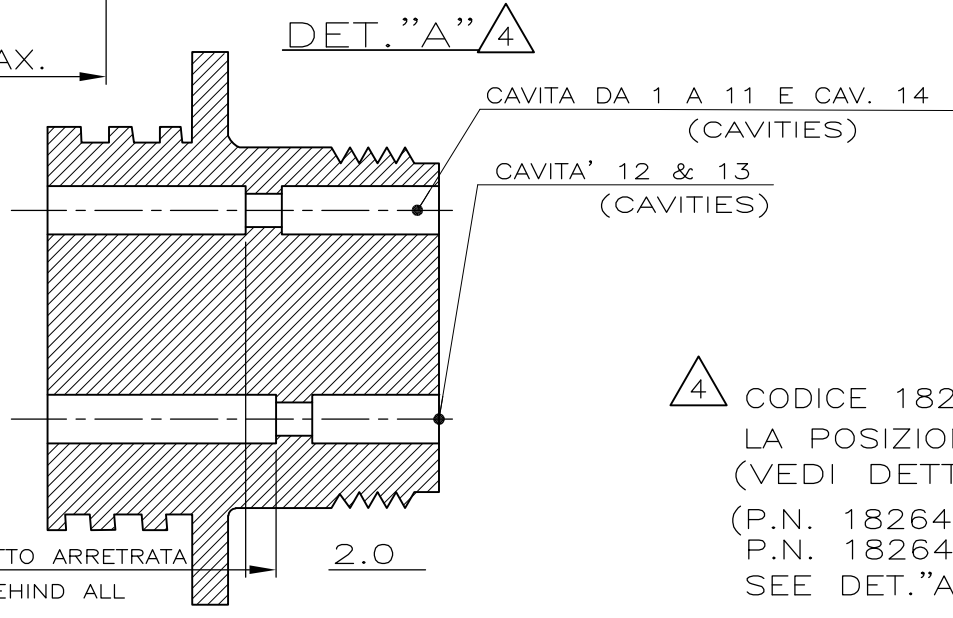
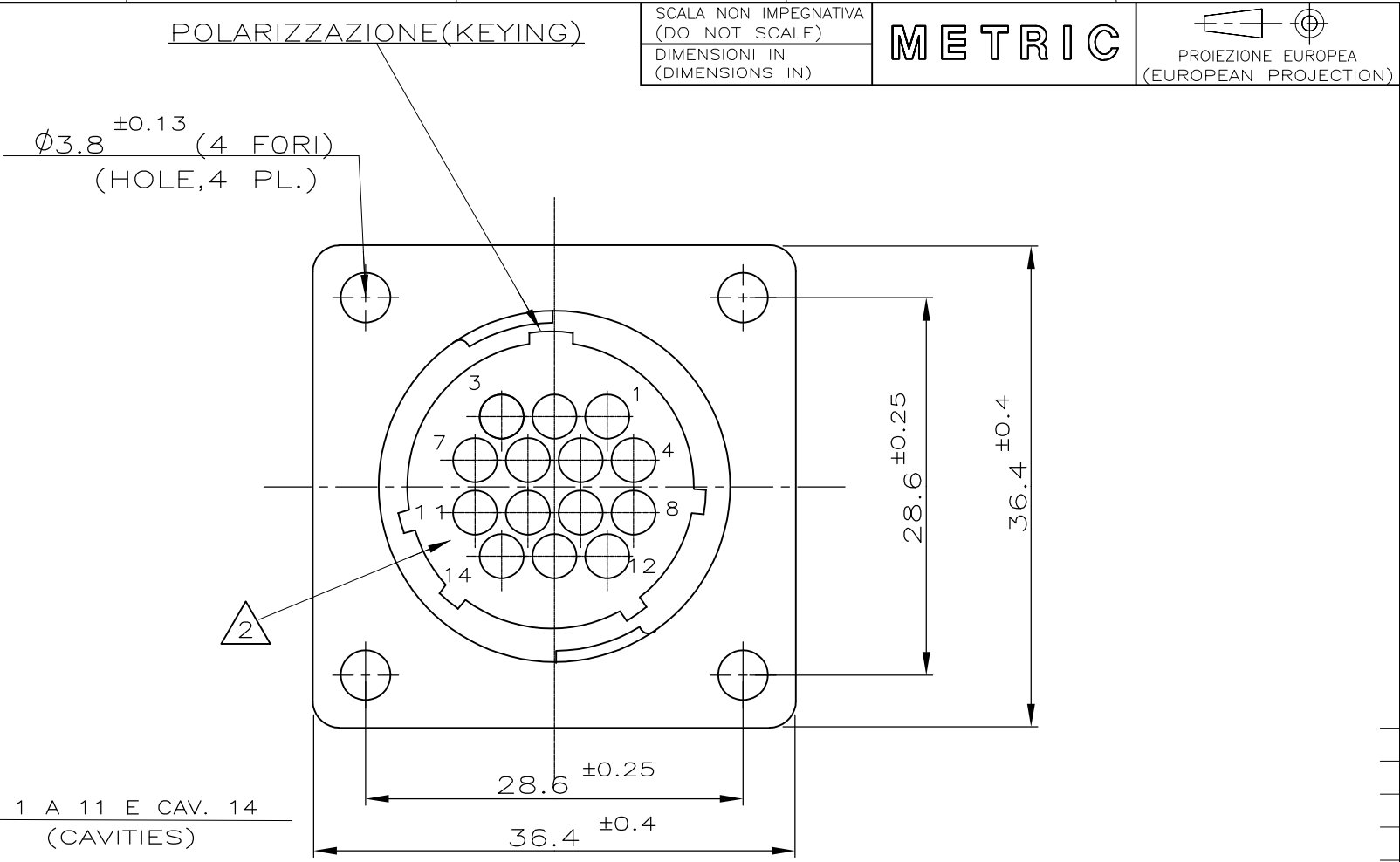
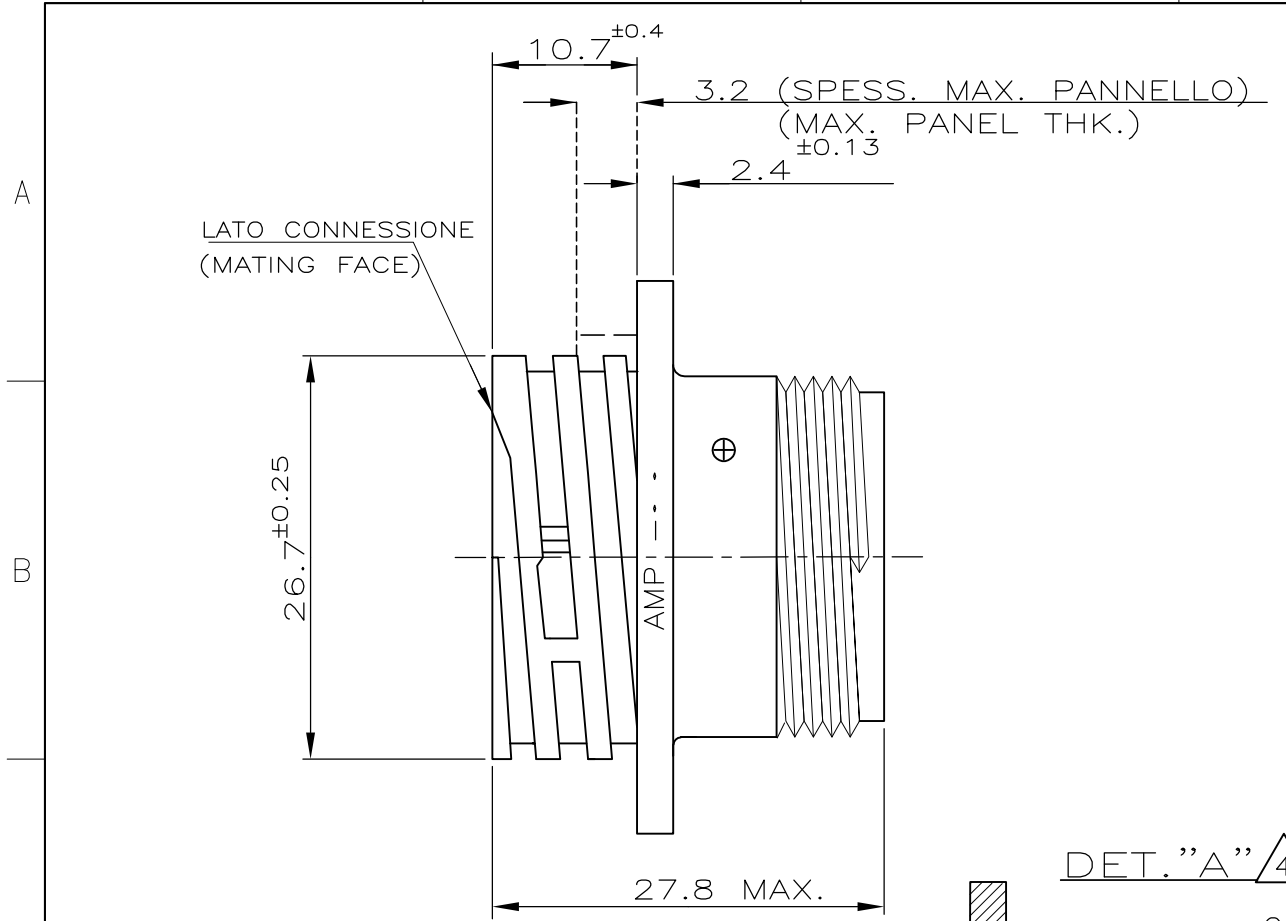


SCALA NON IMPEGNATIVA
(DO NOT SCALE)
DIMENSIONI IN
(DIMENSIONS IN)

METRIC

PROIEZIONE EUROPEA
(EUROPEAN PROJECTION)



4 CODICE 182641-2 RISERVATO AMP-SVIZZERA. DIFFERENTE DAL 182641-1 PER LA POSIZIONE DELL'AGGANCO DEL CONTATTO NELLE CAVITA' 12 E 13, (VEDI DETT."A")
(P.N. 182641-2 RESTRICTED FOR AMP-SWITZERLAND. IS DIFFERENT FROM P.N. 182641-1 FOR CONTACT LOCKING POSITION OF CAVITIES 12&13. SEE DET."A" FOR DIMENSIONS).

NOTE(NOTES)

- 1. MATERIALE (MATL.): TERMOPLASTICO COLORE NERO (THERMOPLASTIC, BLACK COLOR).
- 2. OGNI CAVITA' E' IDENTIFICATA DAL NUMERO POSTO SIA SUL FRONTE CHE SUL RETRO DEL CONNETTORE. (CONTACT CAVITIES IDENTIFIED BY CHARACTERS)
- 3. QUESTO CONNETTORE E' APPROVATO CON FILE N.E28476 E CERTIFICATO CON FILE N.LR7189A-259 (THIS CONNECTOR IS RECOGNIZED BY FILE N.E28476 AND CERTIFIED BY FILE N.LR7189A-259)

4	182641-2	VEDI NOTA 1 (SEE NOTE 1)	SQ.FLANGE 17-14 FOR REC.CTC. SPECIAL
	182641-1	VEDI NOTA 1 (SEE NOTE 1)	SQ.FLANGE 17-14 FOR REC.CTC.
	CODICE (P.N.)	MATERIALE - COLORE (MATERIAL - COLOR)	DESCRIZIONE (DESCRIPTION)
			CUSTOMER DRAWING FOR REFERENCE ONLY
			DISEGNO PER CLIENTE SOLO PER RIFERIMENTO
			THIS DRAWING IS UNPUBLISHED
			RELEASE FOR PUBLICATION
			© COPYRIGHT - BY - , ALL INTERNATIONAL RIGHT RESERVED.
		TOLLERANZE: SE NON DIVERSAMENTE SPECIFICATO (TOLERANCES: UNLESS OTHERWISE SPECIFIED)	DIAM. ISOLANTE (INS. DIA. RANGE)
		± 0.3	RANGO FILO (WIRE RANGE)
		ANGOLI (ANGLES)	SCALA (SCALE)
		± 2°	
		DIS. 27-07-1993 (DR.)	DESCRIZIONE (DESCRIPTION) C.P.C. SQUARE FLANGE RECEPTACLE FOR REC. CTC.S SIZE 17-14, REV. SEX
		C.CORDOLA	
		CONT.28-07-1993 (CHK)	
		C.MARTINS	
	M3 REVISED PER ECO-11-005140	RK 11APR 2011	LOC.SIZE NUMERO (DWG NO)
	REVISIONI (REVISION RECORD)	DIS. DATA (DR) (DATE)	APP. (APP.)
			1 A3C - 182641
			REV. M3
			FOGLIO (SHEET) 1 DI 1 (OF) 1

DISTRIBUZIONE (PRINT. DIST.)

X-ON Electronics

Largest Supplier of Electrical and Electronic Components

Click to view similar products for [Standard Circular Connector](#) category:

Click to view products by [TE Connectivity](#) manufacturer:

Other Similar products are found below :

[5M2530B10P](#) [600259N006](#) [600273N007](#) [6134-336-13149](#) [6134-337-11149](#) [6134-337-2390](#) [6134-341-17149](#) [6280-4SG-516](#) [6280-7SG-3DC](#)
[6290](#) [6291A](#) [66200A-10](#) [680-SMG](#) [681-PMG](#) [CXS3102A14S2P](#) [CXS3102A181S](#) [7271-6SG-300](#) [7282-3PG-300-CH3](#) [75-474618-01S](#) [75-](#)
[474618-04P](#) [75-474618-04S](#) [799539-000](#) [MI8-SE](#) [805-005-07NF11-19PC](#) [805-005-07NF15-7PA](#) [8280-4PG-516](#) [8280-7PG-519](#) [8282-5PG-](#)
[519](#) [836783-1](#) [MP-4102-25P-C](#) [862256-1](#) [864019-2](#) [866857-1](#) [867865-1](#) [PT01SP-14-18P](#) [PT08P-14-5S](#) [120-1833-000](#)
[QCM019PC2DC012B](#) [1-2069279-1](#) [121583-0217](#) [121667-0020](#) [129591AU](#) [1000B BULK](#) [RD10A16-19-P6CS051/1](#) [RD10A20-31-](#)
[P8CS051/1](#) [RD16A14-12-S6CS051/2](#) [1301240290](#) [1301240347](#) [1301860202](#) [1301240268](#) [1301240275](#)