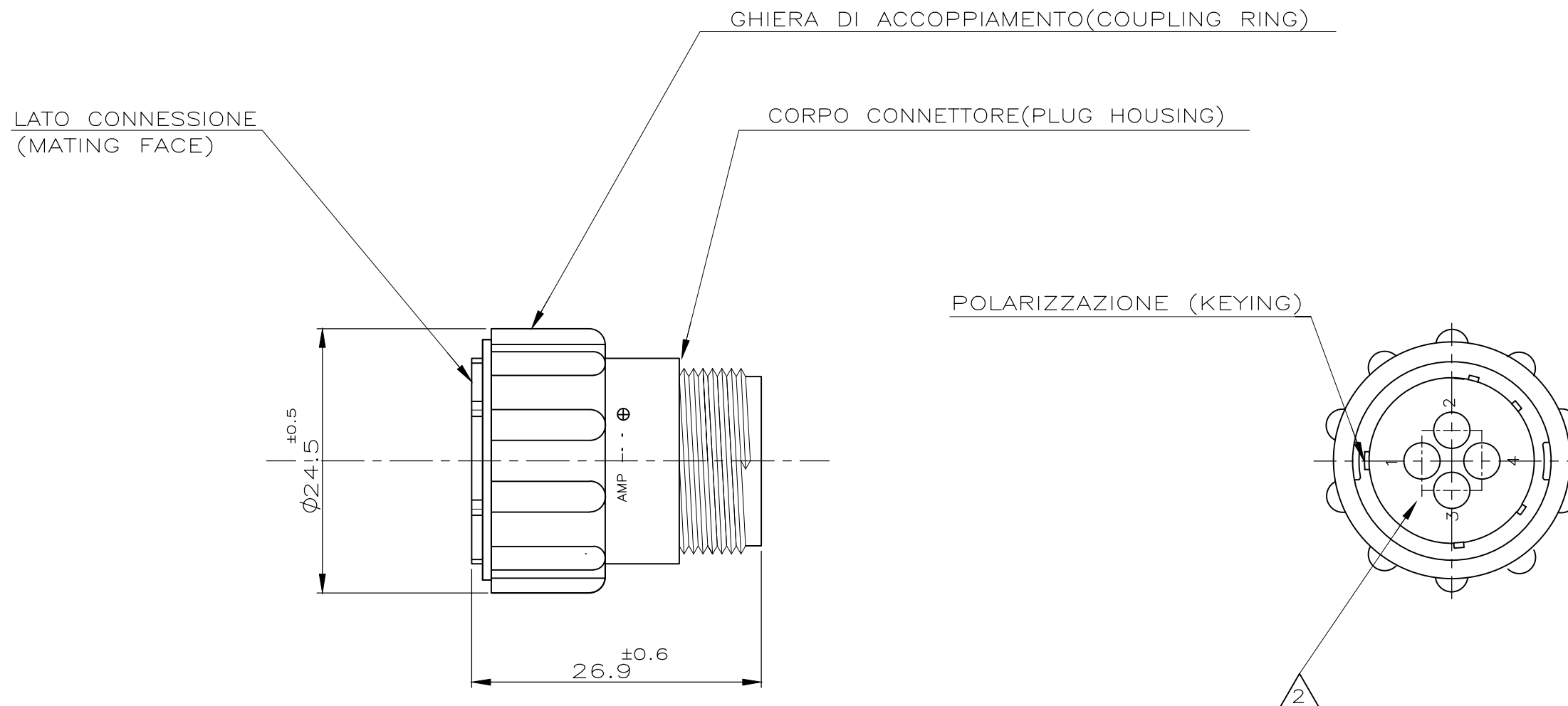


P	LTR	DESCRIPTION	DATE	DWN	APVD
	B4	ECO-20-017171	12AUG2020	RK	MZ








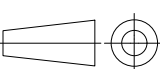
IL DISEGNO INDICA IL P.N. 182647-1  
(P.N. 182647-1 AS SHOWN)

### NOTE(NOTES)

1. MATERIALE(MATL.): TERMOPLASTICO COLORE NERO(THERMOPLASTIC, BLACK COLOR).

2. OGNI CAVITA' E' IDENTIFICATA DAL NUMERO POSTO SIA SUL FRONTE CHE SUL RETRO DEL CONNETTORE. (CONTACT CAVITIES IDENTIFIED BY CHARACTERS) (ON FRONT AND REAR FACES OF CONNECTOR.)

3. QUESTO CONNETTORE E' APPROVATO  CON FILE N° E28476 E CERTIFICATO  CON FILE N° LR189A-259 (THIS CONNECTOR IS  RECOGNIZED BY FILE N° E28476 AND  CERTIFIED BY FILE N° LR7189A-259)

THIS DRAWING IS A CONTROLLED DOCUMENT.		DWN C.CORDOLA 22-07-93	 TE Connectivity		
		CHK C.MARTINS 29-07-93			
DIMENSIONS: mm		APVD -	NAME		
		PRODUCT SPEC -	C.P.C. PLUG ASS'Y FOR SOCKET CONTACTS SIZE 11-4, STD. SEX		
TOLERANCES UNLESS OTHERWISE SPECIFIED: $\pm 0.3$		APPLICATION SPEC -	SIZE A3	CAGE CODE 00779	DRAWING NO C-182647
MATERIAL -		WEIGHT -	RESTRICTED TO -		
FINISH -		CUSTOMER DRAWING			
		SCALE -	SHEET 1 OF 1		REV B4

## X-ON Electronics

Largest Supplier of Electrical and Electronic Components

*Click to view similar products for [Standard Circular Connector](#) category:*

*Click to view products by [TE Connectivity](#) manufacturer:*

Other Similar products are found below :

[5M2530B10P](#) [600259N006](#) [600273N007](#) [6134-336-13149](#) [6134-337-11149](#) [6134-337-2390](#) [6134-341-17149](#) [6280-4SG-516](#) [6280-7SG-3DC](#)  
[6290](#) [6291A](#) [66200A-10](#) [680-SMG](#) [681-PMG](#) [CXS3102A14S2P](#) [CXS3102A181S](#) [7251-5SG-300](#) [7271-6SG-300](#) [7282-3PG-300-CH3](#) [75-](#)  
[474618-01S](#) [75-474618-04P](#) [75-474618-04S](#) [799539-000](#) [MI8-SE](#) [805-005-07NF11-19PC](#) [805-005-07NF15-7PA](#) [8280-4PG-516](#) [8280-7PG-](#)  
[519](#) [8282-5PG-519](#) [836783-1](#) [MP-4102-25P-C](#) [862256-1](#) [864019-2](#) [866857-1](#) [867865-1](#) [PT01SP-14-18P](#) [PT08P-14-5S](#) [PTSF06SE-14-12S](#)  
[120-1833-000](#) [QCM019PC2DC012B](#) [1-2069279-1](#) [121583-0217](#) [121667-0020](#) [129591AU](#) [1000B BULK](#) [RD10A16-19-P6CS051/1](#)  
[RD10A20-31-P8CS051/1](#) [RD16A14-12-S6CS051/2](#) [1301240290](#) [1301240347](#) [1301860202](#)