

THIS DRAWING IS UNPUBLISHED.

RELEASED FOR PUBLICATION

© COPYRIGHT

ALL RIGHTS RESERVED.

LOC

DIST

REVISIONS

P LTR

DESCRIPTION

DATE

DWN

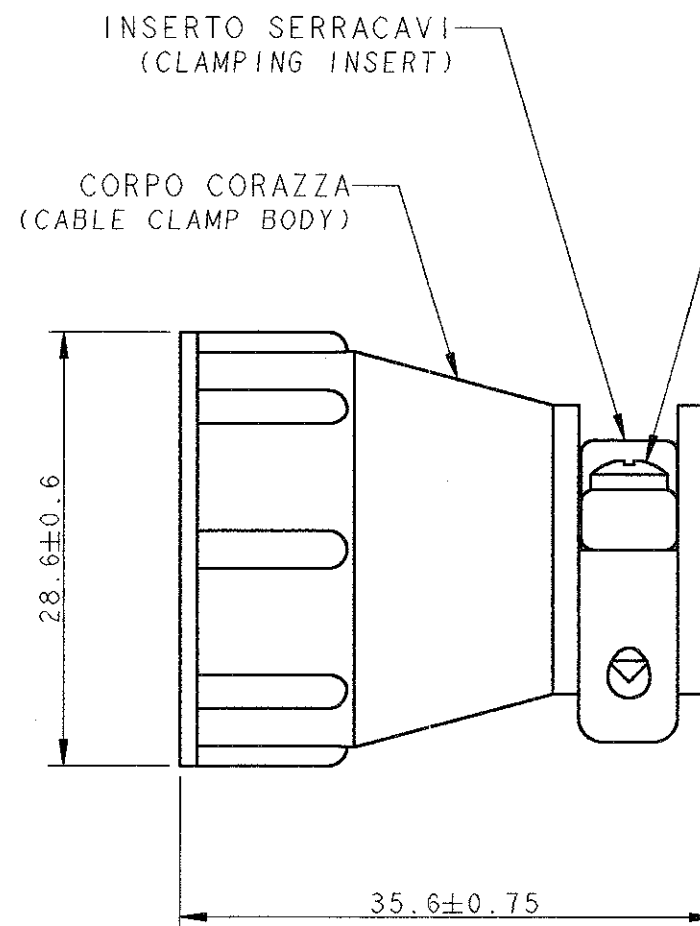
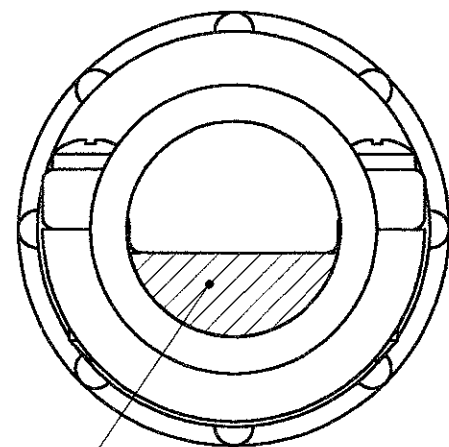
APVD

C1 REVISED PER ECO-11-005140

01APR11

RK

HMR



- 1) MATERIALE : TERMOPLASTICO, COLORE NERO
(MATERIAL : THERMOPLASTIC, BLACK COLOUR)
- 2) PARTICOLARI FORNITI NON ASSEMBLATI IN SACCHETTO DI PLASTICA
(PARTS PACKAGED UNASSEMBLED INTO A PLASTIC BAG)
- 3 L'AREA SERRAGGIO CAVI E' VARIABILE DA 6.45 A 103.9 mm²
IN FUNZIONE DEL TIPO E POSIZIONE DELL'INSERTO SERRACAVO
(CABLE CLAMPING AREA ADJUSTABLE FROM .010 TO .410 SQ. IN.
BY SELECTING AND REVERSING CLAMPING INSERTS)
- 4) QUESTO CONNETTORE E' RICONOSCIUTO E CERTIFICATO
(THIS CONNECTOR IS UL RECOGNIZED AND CSA CERTIFIED)
- 5) Ø MAX DEL FASCIO CAVI = 11.5 mm.
(MAXIMUM CABLE O.D. = .453 IN.)

P/N 182655-1 COME RAPPRESENTATO
(P/N 182655-1 AS SHOWN)

DWN R. FABRIS <i>06DEC00</i>		TE Connectivity	
CHK -			
APVD C. TARTARI		NAME C.P.C. CABLE CLAMP KIT	
PRODUCT SPEC 108-10024		SIZE A3	
APPLICATION SPEC -		CAGE CODE 00779	
MATERIAL -		DRAWING NO C-182655	
FINISH -		WEIGHT -	
CUSTOMER DRAWING		SCALE 2:1	
		SHEET 1 OF 1	
		REV C1	

DIMENSIONS:	TOLERANCES UNLESS OTHERWISE SPECIFIED:
mm	
	0 PLC ±
	1 PLC ± ±0.3
	2 PLC ± ±
	3 PLC ± ±
	4 PLC ± ±
	ANGLES ±2°
	FINISH -

X-ON Electronics

Largest Supplier of Electrical and Electronic Components

Click to view similar products for [Standard Circular Connector](#) category:

Click to view products by [TE Connectivity](#) manufacturer:

Other Similar products are found below :

[5M2530B10P](#) [600259N006](#) [600273N007](#) [6134-336-13149](#) [6134-337-11149](#) [6134-337-2390](#) [6134-341-17149](#) [6280-4SG-516](#) [6280-7SG-3DC](#)
[6290](#) [6291A](#) [66200A-10](#) [680-SMG](#) [681-PMG](#) [CXS3102A14S2P](#) [CXS3102A181S](#) [7271-6SG-300](#) [7282-3PG-300-CH3](#) [75-474014-05S](#) [75-](#)
[474618-01S](#) [75-474618-04P](#) [75-474618-04S](#) [799539-000](#) [MI8-SE](#) [805-005-07NF11-19PC](#) [805-005-07NF15-7PA](#) [8280-4PG-516](#) [8280-7PG-](#)
[519](#) [8282-5PG-519](#) [836783-1](#) [MP-4102-25P-C](#) [862256-1](#) [864019-2](#) [866857-1](#) [867865-1](#) [PT01SP-14-18P](#) [PT08P-14-5S](#) [120-1833-000](#)
[QCM019PC2DC012B](#) [1-2069279-1](#) [121583-0217](#) [121667-0020](#) [129591AU](#) [1000B BULK](#) [RD10A16-19-P6CS051/1](#) [RD10A20-31-](#)
[P8CS051/1](#) [RD16A14-12-S6CS051/2](#) [1301240290](#) [1301240347](#) [1301860202](#) [1301240268](#)