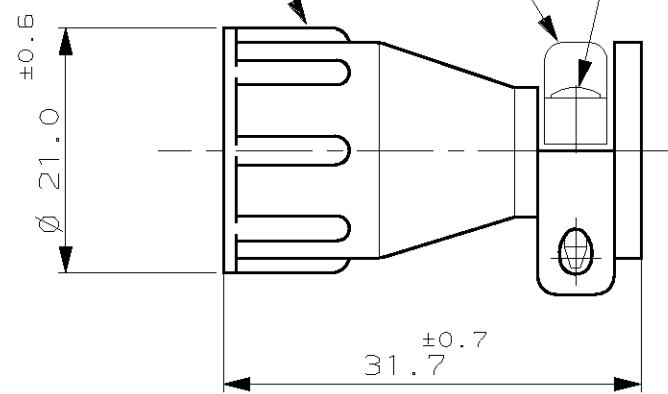
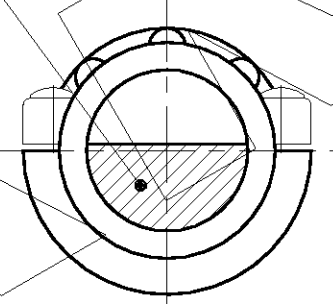


AREA SERRAGGIO CAVI (CLAMPING AREA) 3

2 INSERTO SERRACAVI (CLAMPING INSERT)

1 CORPO CORAZZA (CABLE CLAMP BODY)

3 #5-20 VITI AUTOFILETTANTI IN ACC. ZINCATO (Q.TA' 2)
 #5-20 SELF-TAPPING SCREWS, ZINC PL. STEEL (Q.TY 2)



NOTE (NOTES)

1. MATERIALE (MATL.): TERMOPLASTICO COLORE NERO (THERMOPLASTIC, BLACK COLOR).
2. COMPONENTI FORNITI NON ASSEMBLATI IN SACCHETTO DI PLASTICA (ITEMS PACKAGED UNASSEMBLED INTO A PLASTIC BAG).
3. L'AREA SERRAGGIO CAVI E' VARIABILE DA 2.6 A 35.5 mm² IN FUNZIONE DELLA POSIZIONE DELL'INSERTO SERRACAVO. (CABLE CLAMPING AREA ADJUSTABLE FROM .004 TO .055 SQ. IN. BY REVERSING CLAMPING INSERTS).
4. QUESTI ACCESSORI SONO RICONOSCIUTI CON FILE N.E28476 E CERTIFICATI CON FILE N.LR7189A-259 (THOSE ACCESSORIES ARE RECOGNIZED BY FILE N.E28476) AND CERTIFIED BY FILE N.LR7189A-259)
5. ØMAX. DI CAVO INGUAINATO RIGIDO = 5.5mm, CON FASCIO DI CAVI SCIOLTI ØMAX. = 8.3mm (MAX. CABLE O.D. = 5.5mm WHEN IS USED A RIGID SHEATHED CABLE, 8.3mm MAX.O.D. ADMITTED FOR CABLES WITHOUT SHEATH.)
6. CODICE NON ANCORA IN PRODUZIONE. (NOT YET RELEASED FOR PRODUCTION FOR THIS P.N.)
7. DIFFERENTE DAL P.N.182658-1 PER IL CONFEZIONAMENTO, I COMPONENTI 1 E 2 VENGONO CONFEZIONATI SEPARATAMENTE IN SACCHETTI CONTENENTI 700 PEZZI CIASCUNO, I 2 SACCHETTI VENGONO POI POSTI IN APPOSITA SCATOLA DI RAGGRUPPAMENTO, IN QUESTO KIT NON SONO FORNITE LE VITI (COMPONENTE 3) (DIFFERENT FROM P.N.182658-1 FOR PKG.& COMPOSITION, ITEM 3 NOT SUPPLIED ITEMS 1 & 2 SUPPLIED IN TWO PLASTIC BAGS SEPARATELY, EACH BAG INCLUDES 700PCS OF RELEVANT ITEM, THE TWO BAGS ARE PACKAGED IN A CARTON BOX.)
8. DIFFERISCE DAL P/N.182658-1 PER LA LUNGHEZZA DELLE VITI FORNITE NEL KIT, VEDI DESCRIZIONE PER VALORI. (DIFFERENT FROM P/N.182658-1 FOR SELF-TAPPING SCREW LENGTH ONLY, SEE DESCRIPTION FOR LENGTH DETAIL)
9. OBSOLETE

IL DISEGNO INDICA IL P.N. 182658-1 (P.N. 182658-1 AS SHOWN)

CODICE (PART NUM.)	DESCRIZIONE (DESCRIPTION)	NOTE (NOTES)
182658-3	CPC CABLE CLAMP SIZE 11 WITH 12.5mm (.50") LENGTH SELF-TAPPING SCREWS.	8
182658-2	CPC CABLE CLAMP SIZE 11 BULK PKG. WITHOUT SELF-TAPPING SCREWS	6 7 9 CANCELLED
182658-1	CPC CABLE CLAMP SIZE 11 KIT WITH 10mm (.38") LENGTH SELF-TAPPING SCREW.	4
CUSTOMER DRAWING FOR REFERENCE ONLY		DISEGNO PER CLIENTE SOLO PER RIFERIMENTO
THIS DRAWING IS UNPUBLISHED		RELEASE FOR PUBLICATION
TOLLERANZE: SE NON DIVERSAMENTE SPECIFICATO (TOLERANCES, UNLESS OTHERWISE SPECIFIED)		DIAM. ISOLANTE (INS. DIA. RANGE)
± 0.3		RANGO FILO (WIRE RANGE)
ANGOLI (ANGLES)		SCALA (SCALE)
± 2°		STE TE Connectivity
DIS. 27-07-93 (DR.) C.CORDOLA		DESCRIZIONE (DESCRIPTION) C.P.C. CABLE CLAMP KIT, SIZE 11
CONT. 29-07-92 (CHK) C.MARTINS		LOC. SIZE NUMERO (DWG NO) I A3 C-182658
H1 REV. (REV. LTR.)	REVISED PER ECO-11-005140 REVISIONI (REVISION RECORD)	REV. H1 FOGLIO (SHEET) 1 DI (OF) 1

DISTRIBUZIONE (PRINT DIST)

X-ON Electronics

Largest Supplier of Electrical and Electronic Components

Click to view similar products for [Standard Circular Connector](#) category:

Click to view products by [TE Connectivity](#) manufacturer:

Other Similar products are found below :

[5M2530B10P](#) [600259N006](#) [600273N007](#) [6134-336-13149](#) [6134-337-11149](#) [6134-337-2390](#) [6134-341-17149](#) [6280-4SG-516](#) [6280-7SG-3DC](#)
[6290](#) [6291A](#) [66200A-10](#) [680-SMG](#) [681-PMG](#) [CXS3102A14S2P](#) [CXS3102A181S](#) [7271-6SG-300](#) [7282-3PG-300-CH3](#) [75-474014-05S](#) [75-](#)
[474618-01S](#) [75-474618-04P](#) [75-474618-04S](#) [799539-000](#) [MI8-SE](#) [805-005-07NF11-19PC](#) [805-005-07NF15-7PA](#) [8280-4PG-516](#) [8280-7PG-](#)
[519](#) [8282-5PG-519](#) [836783-1](#) [MP-4102-25P-C](#) [862256-1](#) [864019-2](#) [866857-1](#) [867865-1](#) [PT01SP-14-18P](#) [PT08P-14-5S](#) [120-1833-000](#)
[QCM019PC2DC012B](#) [1-2069279-1](#) [121583-0217](#) [121667-0020](#) [129591AU](#) [1000B BULK](#) [RD10A16-19-P6CS051/1](#) [RD10A20-31-](#)
[P8CS051/1](#) [RD16A14-12-S6CS051/2](#) [1301240290](#) [1301240347](#) [1301860202](#) [1301240268](#)