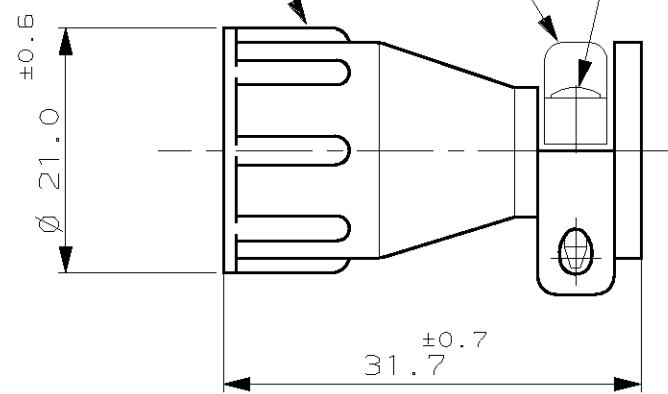
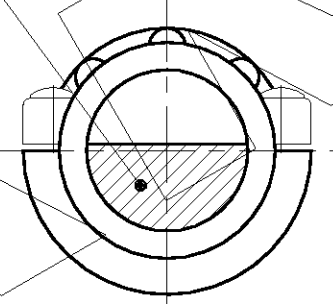


AREA SERRAGGIO CAVI (CLAMPING AREA) 3

2 INSERTO SERRACAVI (CLAMPING INSERT)

1 CORPO CORAZZA (CABLE CLAMP BODY)

3 #5-20 VITI AUTOFILETTANTI IN ACC. ZINCATO (Q.TA' 2)  
 #5-20 SELF-TAPPING SCREWS, ZINC PL. STEEL (Q.TY 2)



NOTE (NOTES)

1. MATERIALE (MATL.): TERMOPLASTICO COLORE NERO (THERMOPLASTIC, BLACK COLOR).
2. COMPONENTI FORNITI NON ASSEMBLATI IN SACCHETTO DI PLASTICA (ITEMS PACKAGED UNASSEMBLED INTO A PLASTIC BAG).
3. L'AREA SERRAGGIO CAVI E' VARIABILE DA 2.6 A 35.5 mm<sup>2</sup> IN FUNZIONE DELLA POSIZIONE DELL'INSERTO SERRACAVO. (CABLE CLAMPING AREA ADJUSTABLE FROM .004 TO .055 SQ. IN. BY REVERSING CLAMPING INSERTS).
4. QUESTI ACCESSORI SONO RICONOSCIUTI CON FILE N.E28476 E CERTIFICATI CON FILE N.LR7189A-259 (THOSE ACCESSORIES ARE RECOGNIZED BY FILE N.E28476 AND CERTIFIED BY FILE N.LR7189A-259)
5. ØMAX. DI CAVO INGUAINATO RIGIDO = 5.5mm, CON FASCIO DI CAVI SCIOLTI ØMAX. = 8.3mm (MAX. CABLE O.D. = 5.5mm WHEN IS USED A RIGID SHEATHED CABLE, 8.3mm MAX.O.D. ADMITTED FOR CABLES WITHOUT SHEATH.)
6. CODICE NON ANCORA IN PRODUZIONE. (NOT YET RELEASED FOR PRODUCTION FOR THIS P.N. )
7. DIFFERENTE DAL P.N.182658-1 PER IL CONFEZIONAMENTO, I COMPONENTI 1 E 2 VENGONO CONFEZIONATI SEPARATAMENTE IN SACCHETTI CONTENENTI 700 PEZZI CIASCUNO, I 2 SACCHETTI VENGONO POI POSTI IN APPOSITA SCATOLA DI RAGGRUPPAMENTO, IN QUESTO KIT NON SONO FORNITE LE VITI (COMPONENTE 3) (DIFFERENT FROM P.N.182658-1 FOR PKG.& COMPOSITION, ITEM 3 NOT SUPPLIED ITEMS 1 & 2 SUPPLIED IN TWO PLASTIC BAGS SEPARATELY, EACH BAG INCLUDES 700PCS OF RELEVANT ITEM, THE TWO BAGS ARE PACKAGED IN A CARTON BOX.)
8. DIFFERISCE DAL P/N.182658-1 PER LA LUNGHEZZA DELLE VITI FORNITE NEL KIT, VEDI DESCRIZIONE PER VALORI. (DIFFERENT FROM P/N.182658-1 FOR SELF-TAPPING SCREW LENGTH ONLY, SEE DESCRIPTION FOR LENGTH DETAIL)
9. OBSOLETE

IL DISEGNO INDICA IL P.N. 182658-1 (P.N. 182658-1 AS SHOWN)

CODICE (PART NUM.)	DESCRIZIONE (DESCRIPTION)	NOTE (NOTES)
182658-3	CPC CABLE CLAMP SIZE 11 WITH 12.5mm (.50") LENGTH SELF-TAPPING SCREWS.	8
182658-2	CPC CABLE CLAMP SIZE 11 BULK PKG. WITHOUT SELF-TAPPING SCREWS	6 7 9 <b>CANCELLED</b>
182658-1	CPC CABLE CLAMP SIZE 11 KIT WITH 10mm (.38") LENGTH SELF-TAPPING SCREW.	4
<b>CUSTOMER DRAWING FOR REFERENCE ONLY</b>		<b>DISEGNO PER CLIENTE SOLO PER RIFERIMENTO</b>
THIS DRAWING IS UNPUBLISHED		RELEASE FOR PUBLICATION
TOLLERANZE: SE NON DIVERSAMENTE SPECIFICATO (TOLERANCES, UNLESS OTHERWISE SPECIFIED)		DIAM. ISOLANTE (INS. DIA. RANGE)
± 0.3		RANGO FILO (WIRE RANGE)
ANGOLI (ANGLES)		SCALA (SCALE)
± 2°		<b>STE</b> TE Connectivity
DIS. 27-07-93 (DR.) C.CORDOLA		DESCRIZIONE (DESCRIPTION) C.P.C. CABLE CLAMP KIT, SIZE 11
CONT. 29-07-92 (CHK) C.MARTINS		LOC. SIZE NUMERO (DWG NO) I A3 C - 182658
H1 REV. (REV. LTR.)	REVISIONI (REVISION RECORD)	REV. (APP.) H1
RK DIS. DATA (DR) (DATE)		FOGLIO (SHEET) 1 DI (OF) 1

DISTRIBUZIONE (PRINT DIST)

## X-ON Electronics

Largest Supplier of Electrical and Electronic Components

*Click to view similar products for [Standard Circular Connector](#) category:*

*Click to view products by [TE Connectivity](#) manufacturer:*

Other Similar products are found below :

[C015](#) [10F006](#) [001](#) [1](#) [5M2530B10P](#) [600247N007](#) [600259N006](#) [600273N007](#) [600432N009](#) [6280-2PG-519](#) [6280-3PG-311](#) [6280-3SG-311](#)  
[6280-7SG-3DC](#) [6280-7SG-522](#) [6282-5PG-311](#) [6282-6PG-519](#) [6282-8SG-311](#) [6283-11](#) [6283-15](#) [6290](#) [6293](#) [6382-2PG-311](#) [6382-2PG-3DC](#)  
[6382-2SG-321](#) [6382-2SG-3DC](#) [6382-4SG-516](#) [67-03E20-37P](#) [681-PMG](#) [CXC3106A1811S](#) [CXS3102A14S2P](#) [CXS3102A181S](#)  
[CXS3106A14S6S](#) [D38999/20FC8SA L/C](#) [MB12P-1](#) [MB12R-6](#) [7251-2PG-300](#) [7251-2SG-300](#) [7251-4PG-300](#) [7251-4SG-300](#) [7251-5PG-300](#)  
[7251-5SG-300](#) [7251-6SG-300](#) [7251-7PG-300](#) [7251-8PG-300](#) [7271-6SG-300](#) [7282-3PG-300-CH3](#) [73000005663](#) [75-190011-03P](#) [75-190216-08S](#) [75-190218-10P](#) [75-214636-52P](#) [75-474118-10P](#) [75-474211-03P](#)