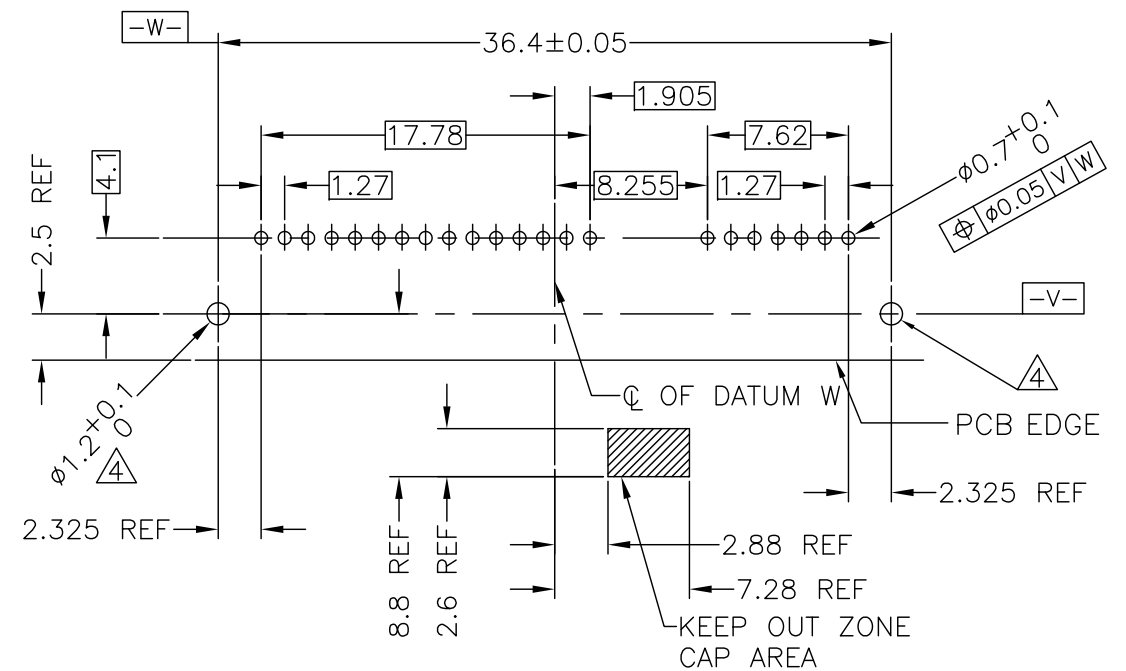
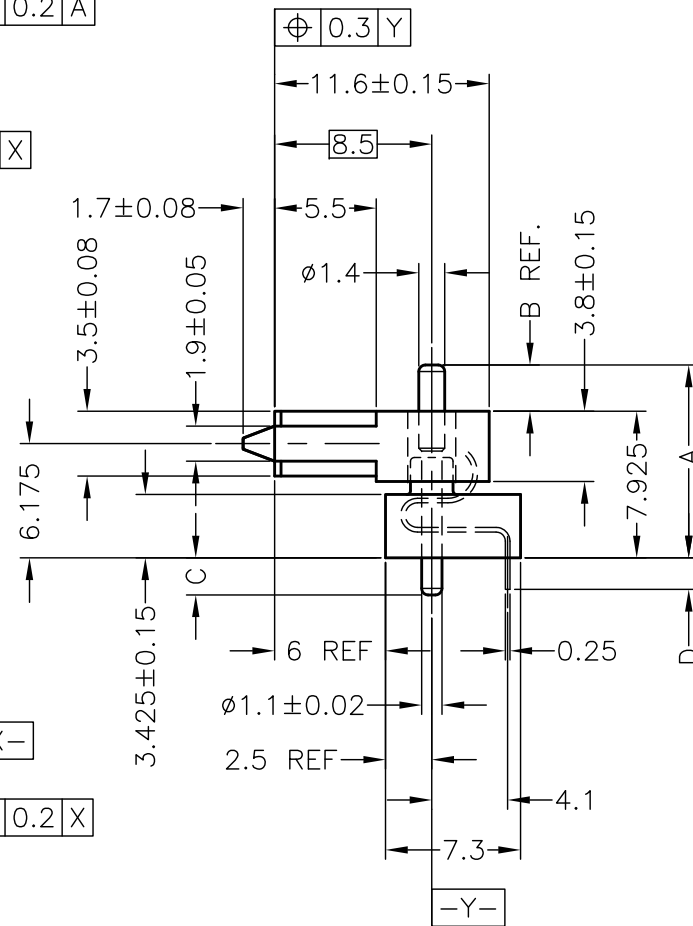
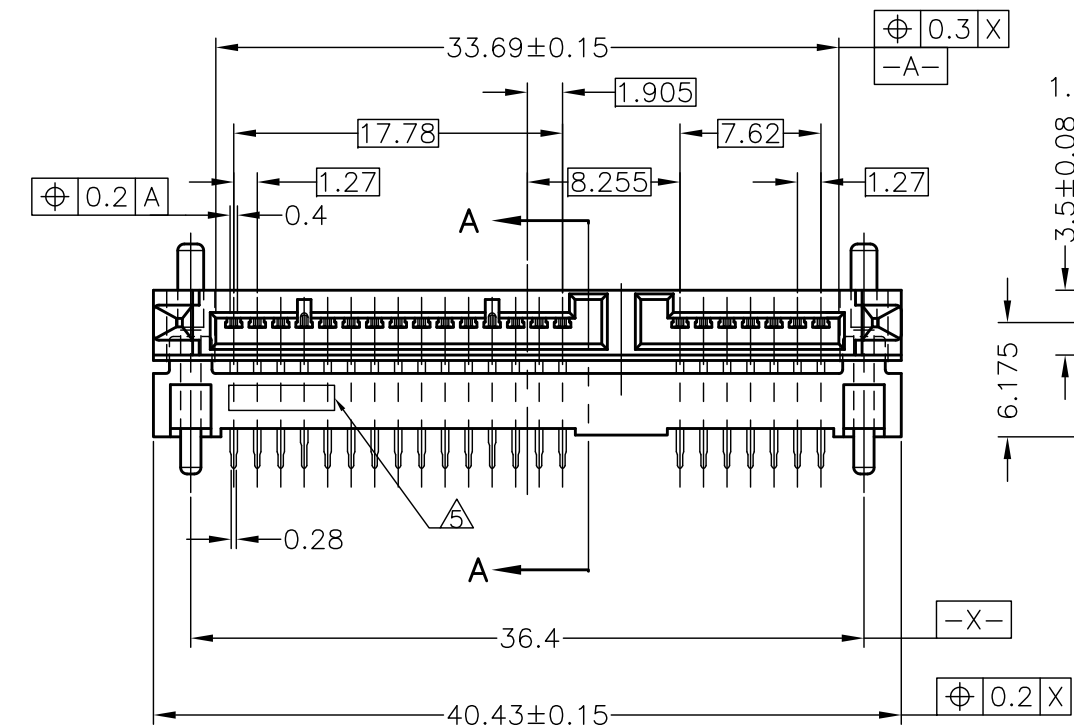
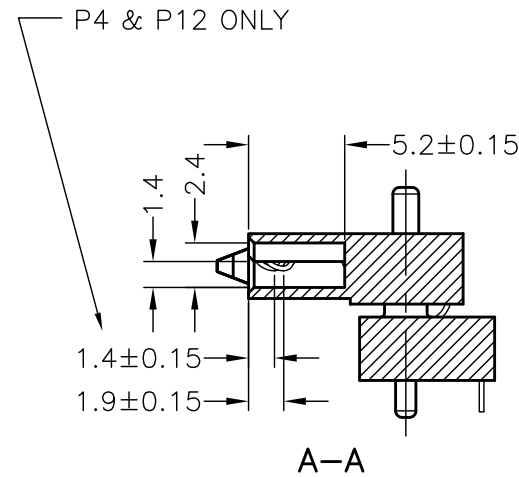
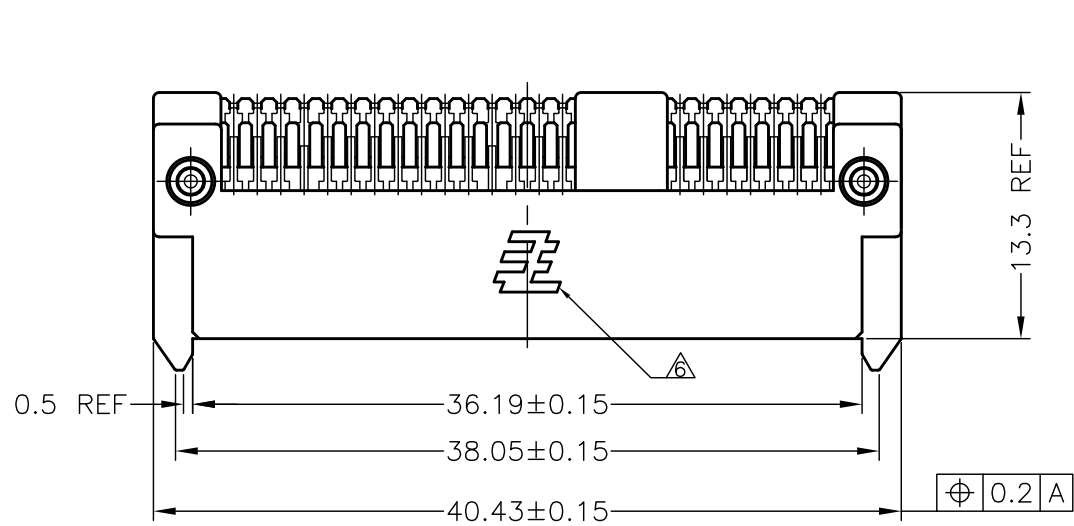


LOC	DIST	REVISIONS					
J		P	LTR	DESCRIPTION	DATE	DWN	APVD
		G4		REVISED (ECR-13-001920)	03JUL2013	B.W	V.P

- NOTES: CONNECTOR
- ① MATERIAL:
 HOUSING: THERMOPLASTIC HIGH TEMP., UL94V-0,
 COLOR: BLACK.
 CONTACT: PHOSPHOR BRONZE
 PIN: BRASS
 TRAY: PS 0.8t (COLOR, WHITE)
 EMBOSS TAPE: PS, COLOR: CLEAR
 COVER TAPE: PET
 - ② FINISH:
 CONTACT: GOLD PLATING ON CONTACT AREA
 TIN MATTE PLATING ON SOLDER TAILS
 NICKEL UNDERPLATED OVER ALL
 PIN: TIN MATTE PLATING OVER ALL
 NICKEL UNDERPLATED OVER ALL
 - 3. QTY: 30 PRODUCTS / TRAY
 150 PRODUCTS / REEL
 - ④ PIN MUST BE SOLDERED WITH PCB.
 - ⑤ DATE CODE AND ASSY MACHINE ID
 - ⑥ TE LOGO MUST BE CLEAR AND LEGIBLE.



REFERENCE PCB LAYOUT
 REFERENCE PCB THICKNESS t=1.2

1.2	1.4	1.5 REF.	9.425	1827334-5
1.7	2	1.5 REF.	9.425	1827334-4
1.7	2	2.5 REF.	10.425	1827334-3
				1827334-2
1.7	2	2.5 REF.	10.425	1827334-1
D	C	B REF.	A	P/N

OBSELETE

AS SHOWN : WITHOUT CAP

THIS DRAWING IS A CONTROLLED DOCUMENT.		DWN	M.UMEHARA	27APR2005
DIMENSIONS: 單位: 耗 mm		CHK	A.KUBO	27APR2005
TOLERANCES UNLESS OTHERWISE SPECIFIED: 一般公差		APVD	Y.YAMAMOTO	27APR2005
0 PLC ± 0.2		NAME 名称		
1 PLC ± 0.2		REC ASSY		
2 PLC ± 0.2		A-FREE S-ATA H6.175		
3 PLC ± 0.2		SIZE		
4 PLC ± 0.2		CAGE CODE		
ANGLES ± 3'		DRAWING NO 番号		
MATERIAL 材料		A3 00779		
FINISH 仕上		1827334		
①		RESTRICTED TO		
②		SCALE 尺度		
CUSTOMER DRAWING		NTS		
		SHEET		
		1 OF 4		
		REV		
		G4		

4

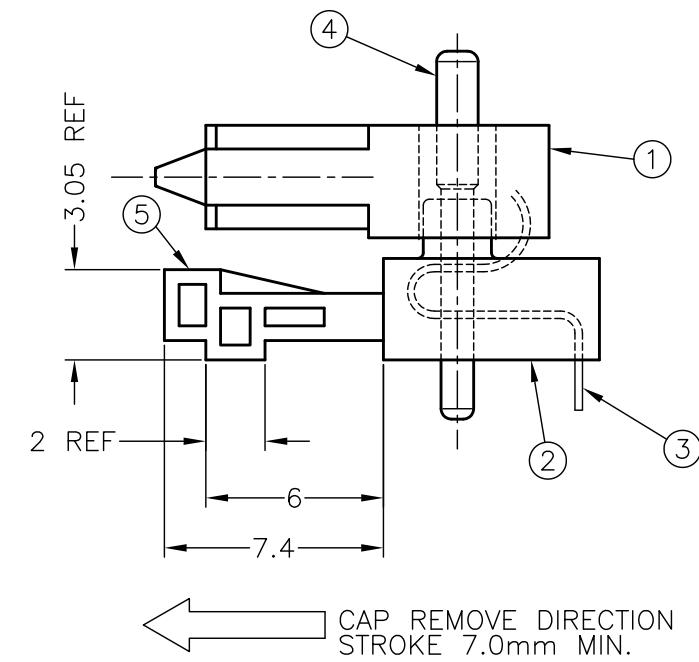
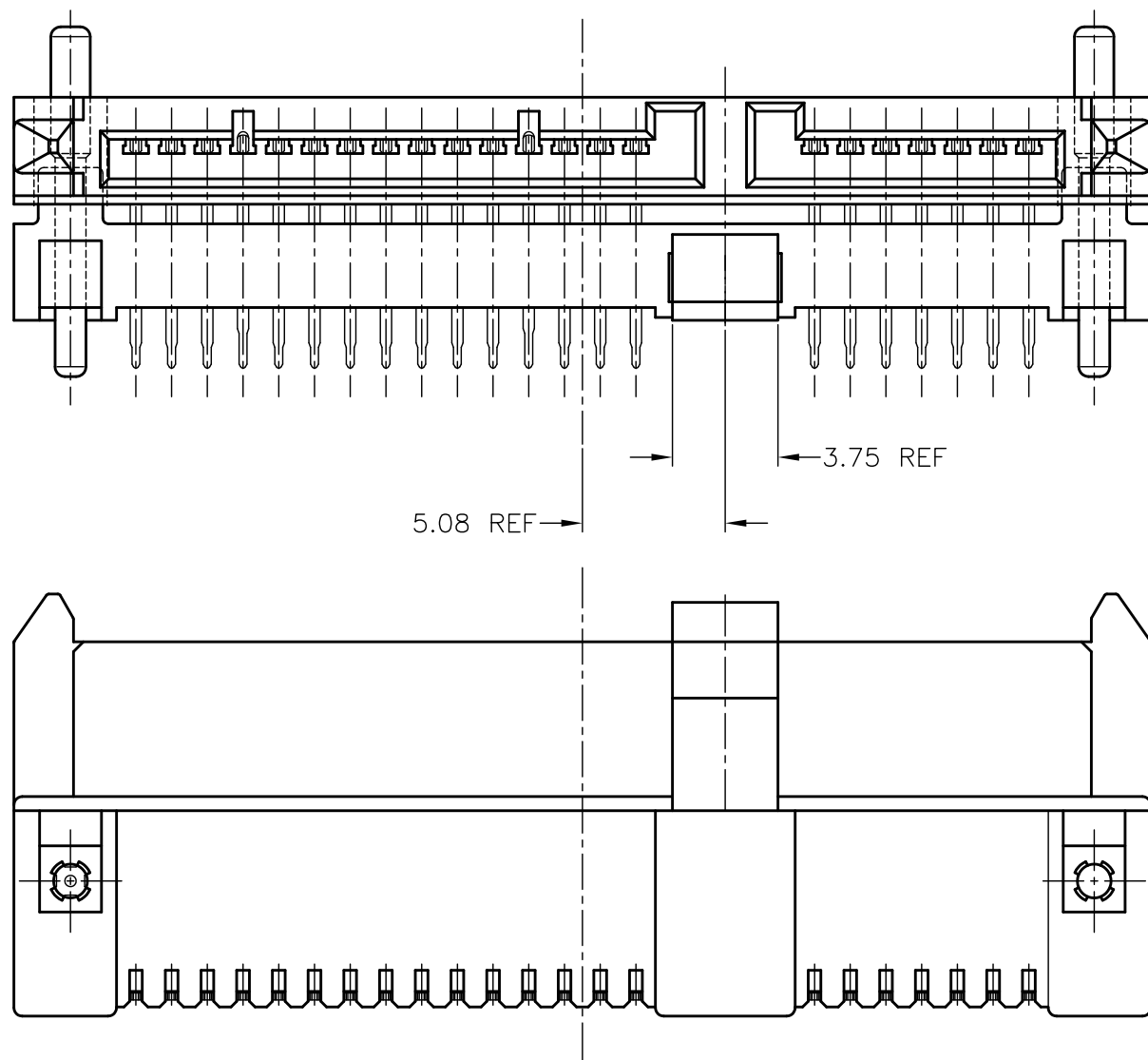
3

2

1

THIS DRAWING IS UNPUBLISHED. RELEASED FOR PUBLICATION ,2005.
 © COPYRIGHT 2005 By - ALL RIGHTS RESERVED.

LOC	DIST	REVISIONS					
J		P	LTR	DESCRIPTION	DATE	DWN	APVD
		-		SEE SHEET 1	-	-	-



CAP	5
PIN	4
CONTACT	3
LOWER HOUSING	2
UPPER HOUSING	1
PART LIST	ITEM NO.

THIS DRAWING IS A CONTROLLED DOCUMENT.		DWN		TE Connectivity	
DIMENSIONS: 單位: 耗 mm		CHK			
TOLERANCES UNLESS OTHERWISE SPECIFIED: 一般公差		APVD		NAME 名稱	
0 PLC ± 1 PLC ± 2 PLC ± 3 PLC ± 4 PLC ± ANGLES ±		PRODUCT SPEC 製品規格		REC ASSY	
MATERIAL 材料		FINISH 仕上		A-FREE S-ATA H6.175	
		WEIGHT		SIZE CAGE CODE DRAWING NO 番号	
		CUSTOMER DRAWING		A3 00779 1827334	
				RESTRICTED TO	
				SCALE 尺度 4:1 SHEET 2 OF 4 REV G4	

AS SHOWN : WITH CAP

4

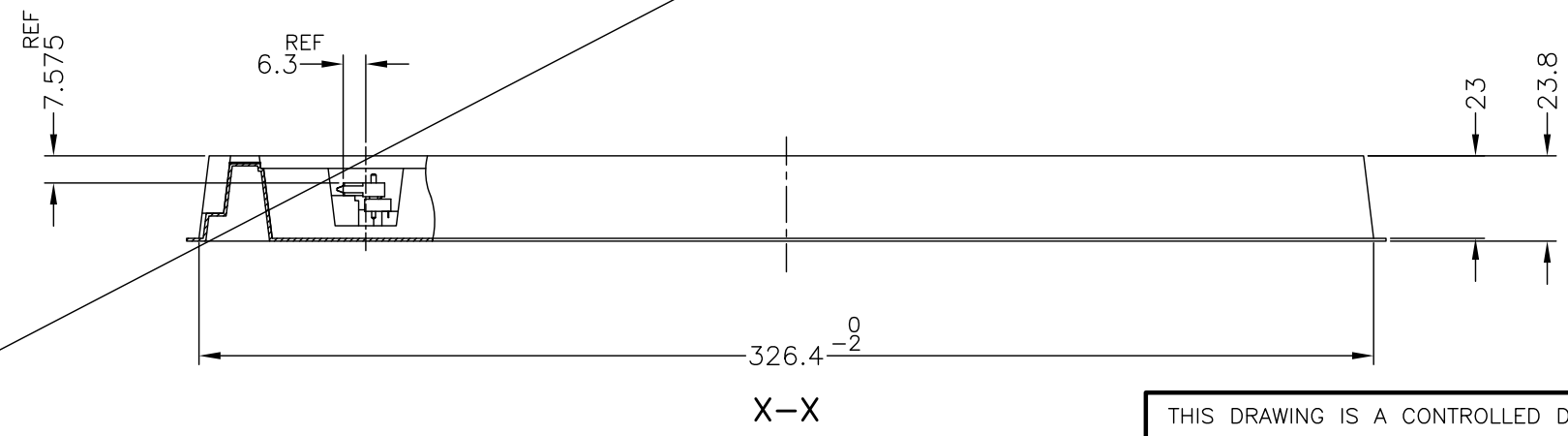
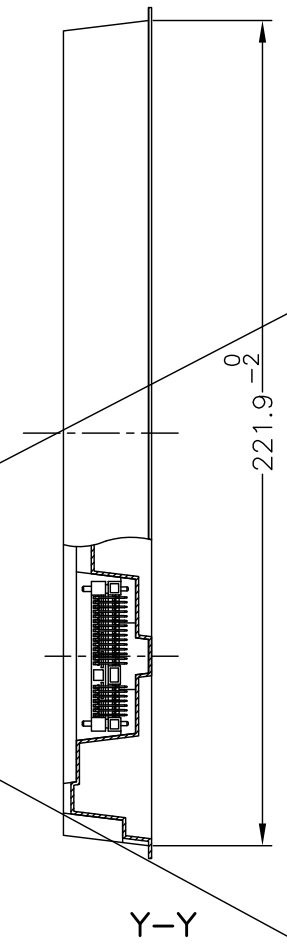
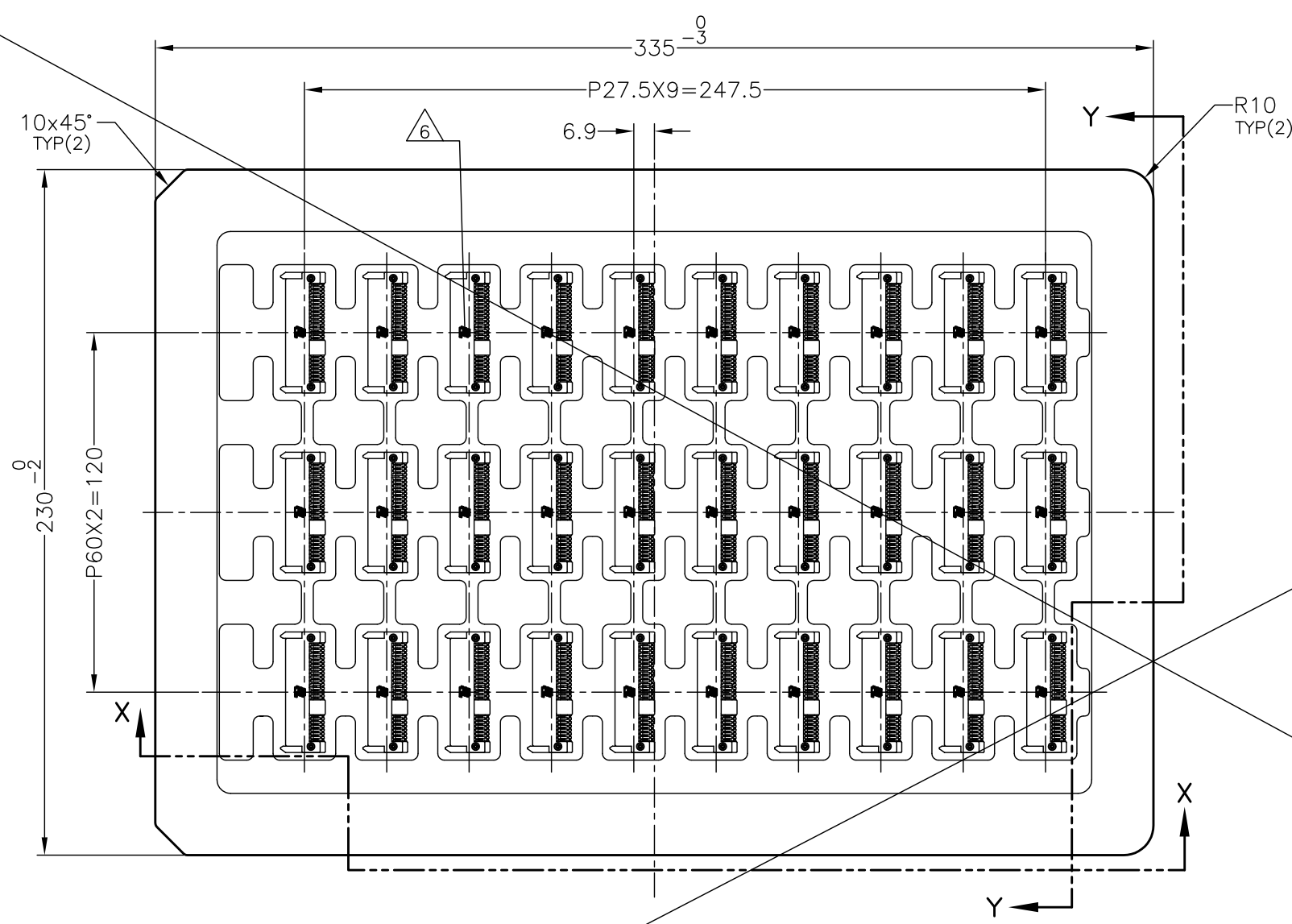
3

2

1

THIS DRAWING IS UNPUBLISHED. RELEASED FOR PUBLICATION ,2005.
 © COPYRIGHT 2005 By - ALL RIGHTS RESERVED.

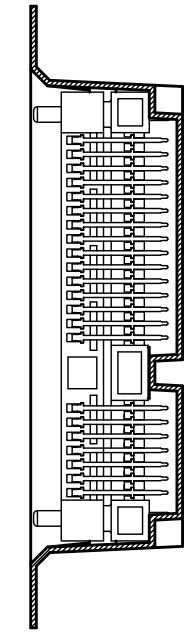
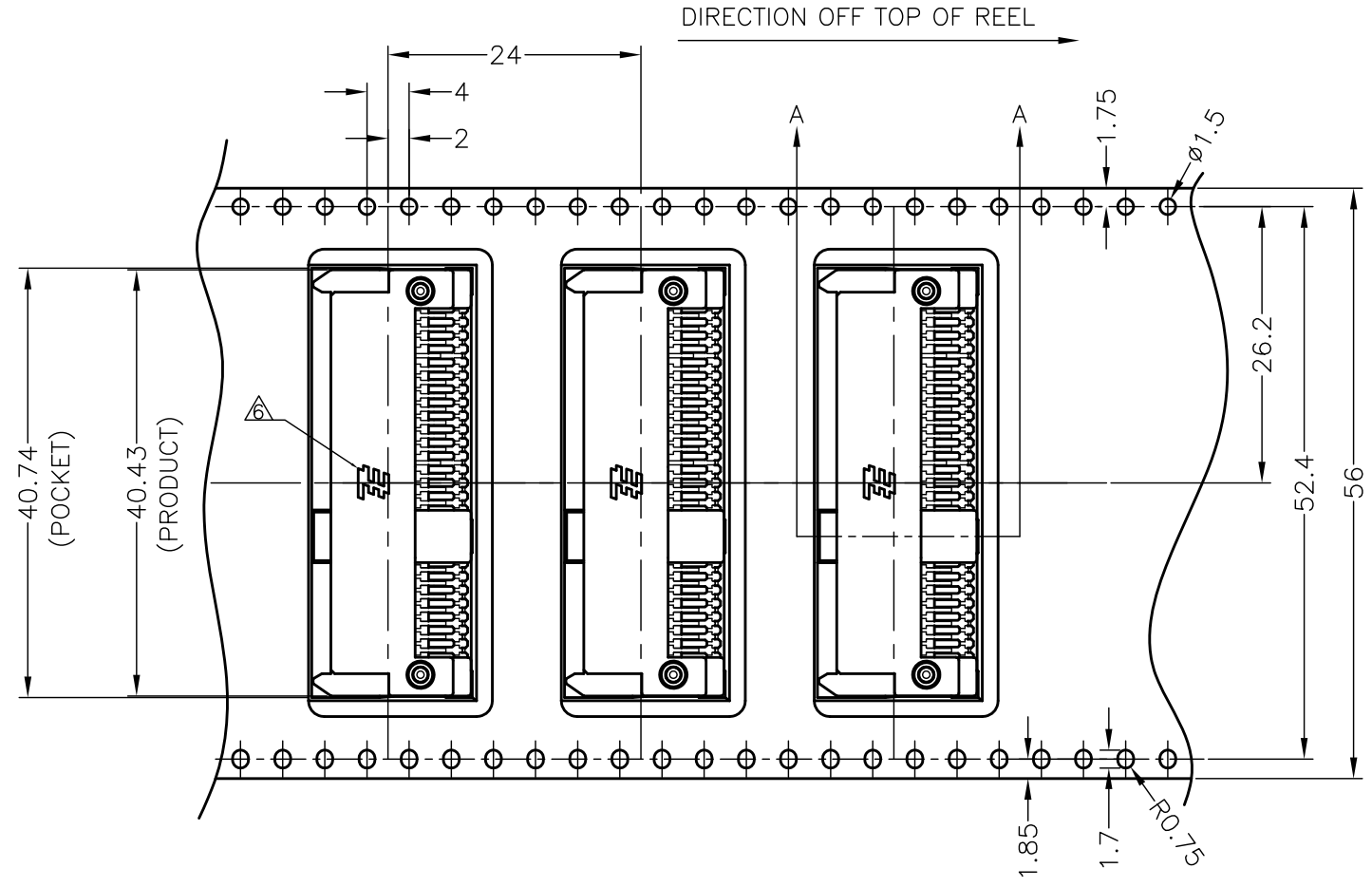
LOC	DIST	REVISIONS					
J		P	LTR	DESCRIPTION	DATE	DWN	APVD
		-		SEE SHEET 1	-	-	-



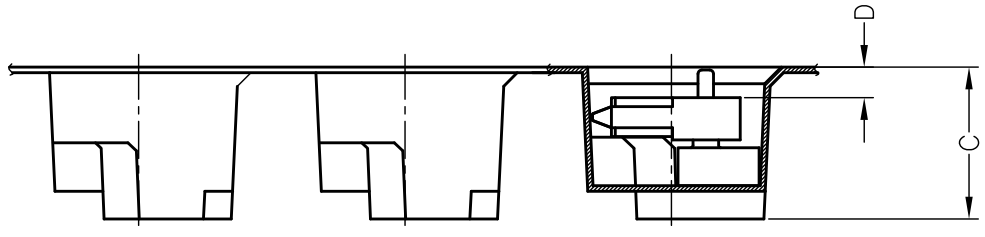
AS SHOWN :
 1827334-1 (TRAY, W/O CAP)
 1827334-3 (TRAY, WITH CAP)

THIS DRAWING IS A CONTROLLED DOCUMENT.		DWN		TE Connectivity	
DIMENSIONS: 單位: 耗 mm		CHK			
TOLERANCES UNLESS OTHERWISE SPECIFIED: 一般公差		APVD		NAME 名称	
0 PLC ± 1 PLC ± 2 PLC ± ±1.0 3 PLC ± 4 PLC ± ANGLES ±		PRODUCT SPEC 製品規格		REC ASSY A-FREE S-ATA H6.175	
MATERIAL 材料		APPLICATION SPEC 取付適用規格		SIZE	
FINISH 仕上		WEIGHT		CAGE CODE	
		CUSTOMER DRAWING		DRAWING NO 番号	
				A3 00779	
				1827334	
				RESTRICTED TO	
				SCALE 尺度 1:2	
				SHEET 3 OF 4	
				REV G4	

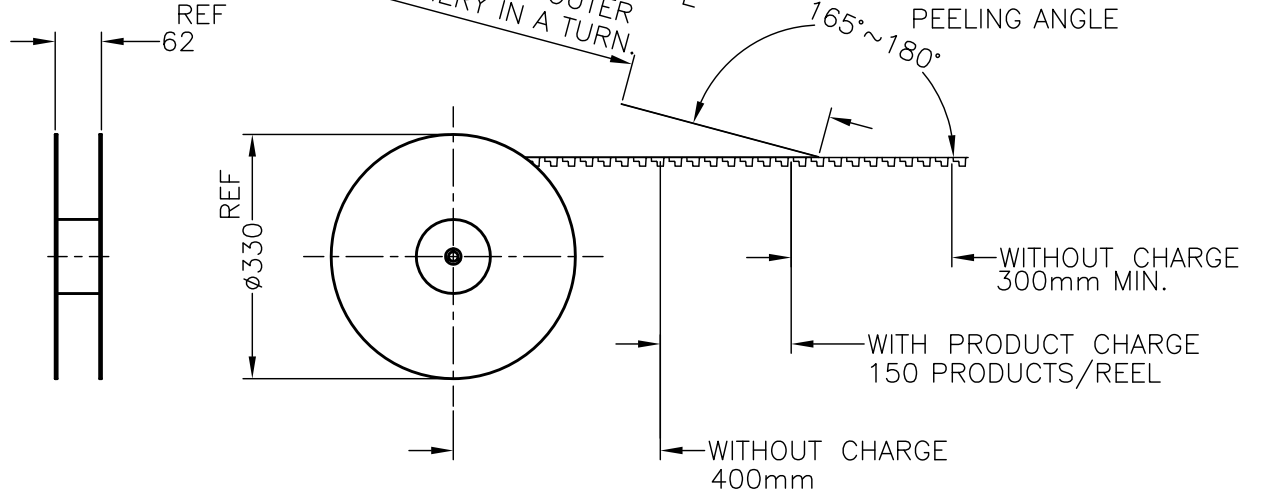
LOC	DIST	REVISIONS					
J		P	LTR	DESCRIPTION	DATE	DWN	APVD
		-		SEE SHEET 1	-	-	-



1.755	12.68	1827334-5
1.755	12.68	1827334-4
2.755	13.68	1827334-2
DIM. D	DIM. C	P/N



SECTION A-A



AS SHOWN :
 1827334-2 (TAPE & REEL, W/O CAP)
 1827334-4 (TAPE & REEL, WITH CAP)

THIS DRAWING IS A CONTROLLED DOCUMENT.		DWN		TE Connectivity	
DIMENSIONS: 單位: 耗 mm		CHK			
TOLERANCES UNLESS OTHERWISE SPECIFIED: 一般公差		APVD		NAME 名稱	
0 PLC ± 1 PLC ± 2 PLC ± ±0.3 3 PLC ± 4 PLC ± ANGLES ±		PRODUCT SPEC 製品規格		REC ASSY A-FREE S-ATA H6.175	
MATERIAL 材料		WEIGHT		SIZE CAGE CODE DRAWING NO A3 00779 1827334	
FINISH 仕上		CUSTOMER DRAWING		RESTRICTED TO	
		SCALE 尺度 NTS		SHEET 4 OF 4	
				REV G4	

X-ON Electronics

Largest Supplier of Electrical and Electronic Components

Click to view similar products for [Automotive Connectors](#) category:

Click to view products by [TE Connectivity](#) manufacturer:

Other Similar products are found below :

[003-018-000](#) [600858](#) [60403001](#) [60993906-B](#) [60993913-B](#) [629515004020001](#) [M83723/71R1808N L/C](#) [M902-2131](#) [M902-2161](#) [M902-2344](#)
[72.330.1035.1](#) [73.353.4028.0](#) [F118010](#) [F119300-B](#) [F132210](#) [F166900](#) [F180100](#) [F258300](#) [F258300-B](#) [F294300-B](#) [F339100](#) [F339700](#)
[F358300-B](#) [F374110](#) [F407400](#) [F412210](#) [F444110](#) [F487000](#) [F495100](#) [F500900-B](#) [F509500B-B](#) [770444-1](#) [827153-1](#) [881735-1](#)
[8N1515-32-24P](#) [9-1326729-8](#) [925467-1](#) [925474-1](#) [928905-1](#) [936398-2](#) [964562-4](#) [964731-2](#) [968782-1](#) [GT17SA-8DS-HU](#) [GT17VS-10DP-](#)
[5.2CF](#) [98315-0001](#) [98315-0010](#) [98891-1012](#) [98895-2014](#) [98936-1039](#)