

4

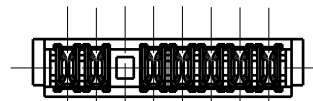
3

2

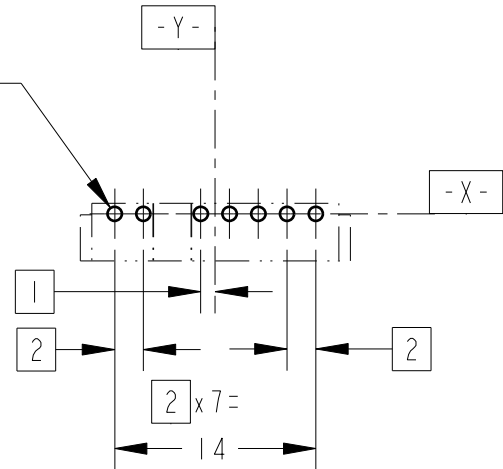
1

THIS DRAWING IS UNPUBLISHED. RELEASED FOR PUBLICATION 20  
© COPYRIGHT 20 BY TYCO ELECTRONICS CORPORATION. ALL RIGHTS RESERVED.

LOC	DIST	REVISIONS			
P	LTR	DESCRIPTION	DATE	DWN	APVD
ES	-	A	RELEASED	04JUL05	T.K T.K
		A3	REVISED PER ECR-09-000157	08JAN2009	S.W S.Y
		B	REVISED PER ECR-09-020441	01SEP2009	S.W S.Y



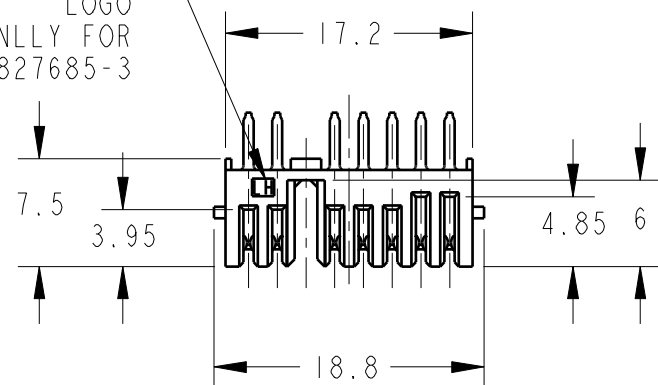
7-R0.5<sup>+0.10</sup><sub>-0.05</sub>  
 Ø 0.1 X Y



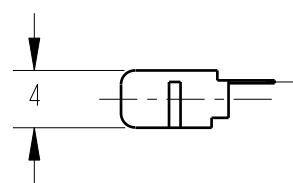
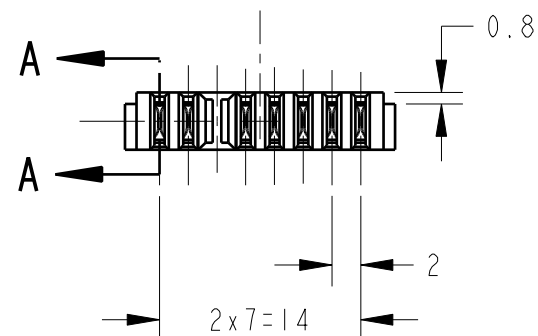
1 MATERIAL  
 CONTACT COPPER ALLOY  
 HOUSING THERMOPLASTIC RESIN, UL94V-0BLACK

2 FINISH  
 CONTACT NICKEL ALL OVER UNDER PLATING,  
 GOLD PLATING AT CONTACT AREA,  
 TIN PLATING AT LEAD AREA,

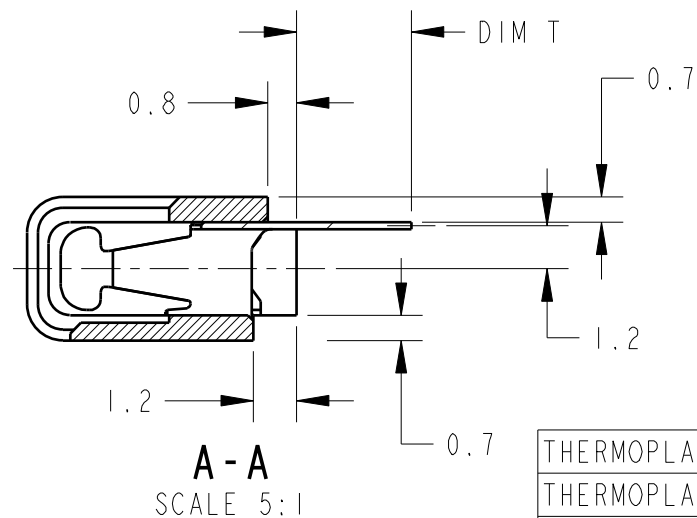
HALOGEN FREE  
 LOGO  
 ONLY FOR  
 1827685-3



REFERENCE P.C BOARD LAYOUT  
 P.C BOARD THK. 0.8 1.2  
 (VIEW FROM CONNECTOR MOUNTING SIDE)

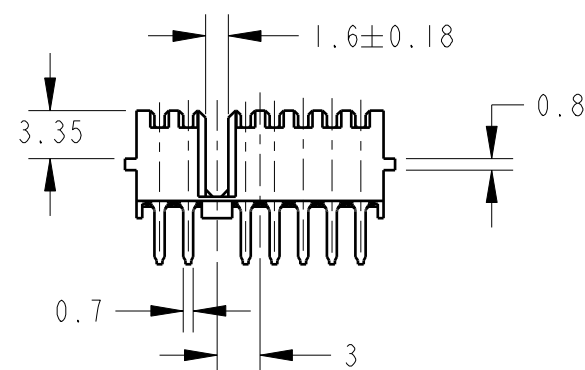


DIP TYPE



A-A  
 SCALE 5:1

THERMOPLASTIC RESIN(HALOGEN FREE)	2.20	1827685-4
THERMOPLASTIC RESIN(HALOGEN FREE)	3.20	1827685-3
THERMOPLASTIC RESIN	2.20	1827685-2
THERMOPLASTIC RESIN	3.20	1827685-1
HOUSING MATERIAL	DIM T	P/N



<small>THIS DRAWING IS A CONTROLLED DOCUMENT FOR TYCO ELECTRONICS CORPORATION          IT IS SUBJECT TO CHANGE AND THE CONTROLLING ENGINEERING ORGANIZATION          SHOULD BE CONTACTED FOR THE LATEST REVISION.</small>		DWN T.KATANO 04JUL05 CHK T.KIMURA 04JUL05 APVD T.KIMURA 04JUL05		Tyco Electronics Corporation Shanghai, P.R.China, 200233	
DIMENSIONS: mm		TOLERANCES UNLESS OTHERWISE SPECIFIED: ± 0.3		NAME RECEPTACLE ASSEMBLY 7POS. REVERSE TYPE 2mm PITCH BATTERY CONNECTOR	
		0 PLC ± 1 PLC ±0.1 2 PLC ±0.01 3 PLC ±0.001 4 PLC ±0.0001 ANGLES ±3		PRODUCT SPEC 108-78292	
MATERIAL 1		FINISH 2		APPLICATION SPEC -	
WEIGHT		CUSTOMER DRAWING		SIZE A3 CAGE CODE 00779 DRAWING NO. ©=1827685 RESTRICTED TO -	
SCALE 2:1		SHEET 1 OF 2		REV B	

4

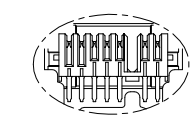
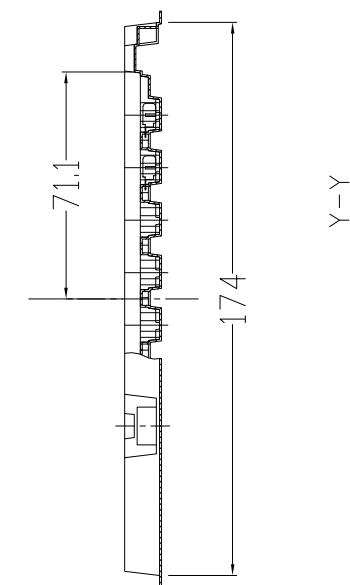
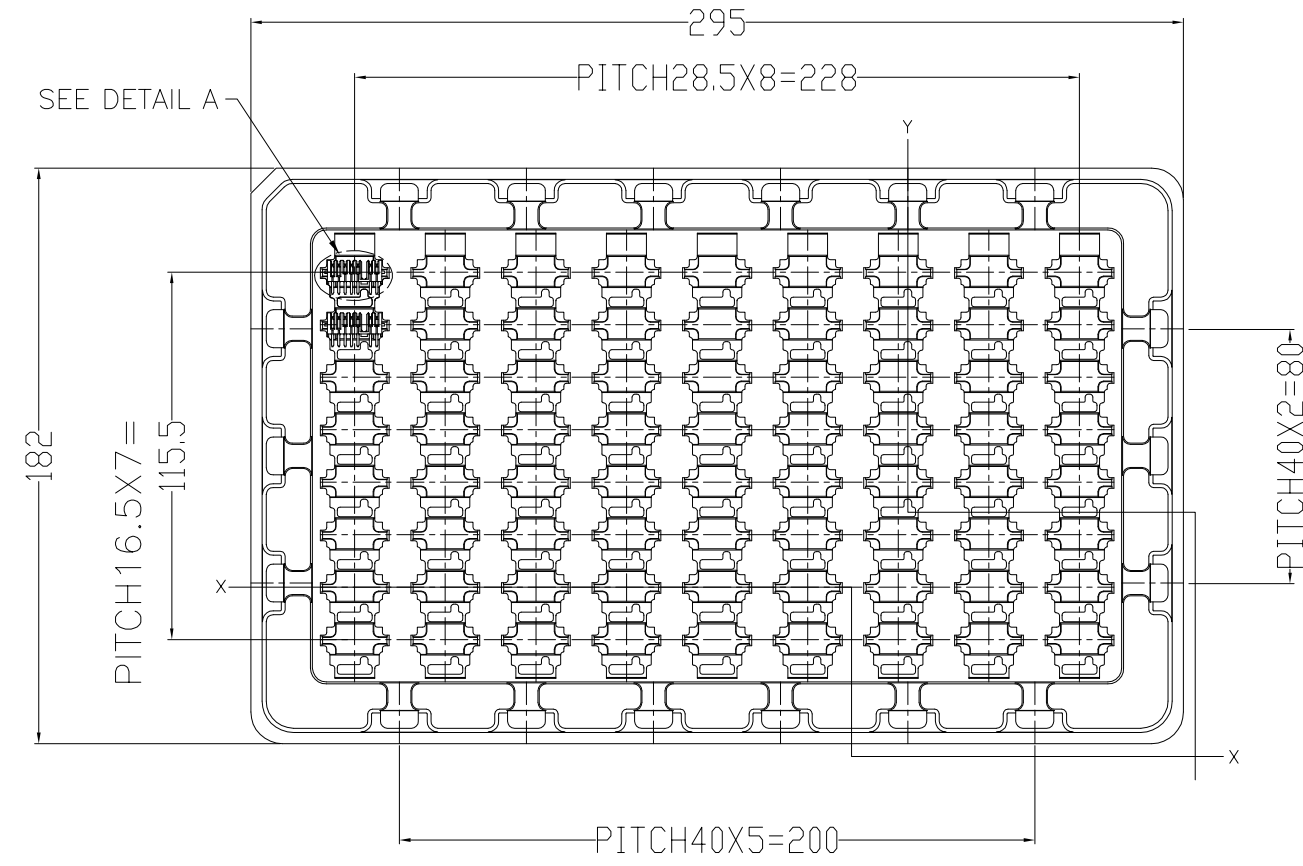
3

2

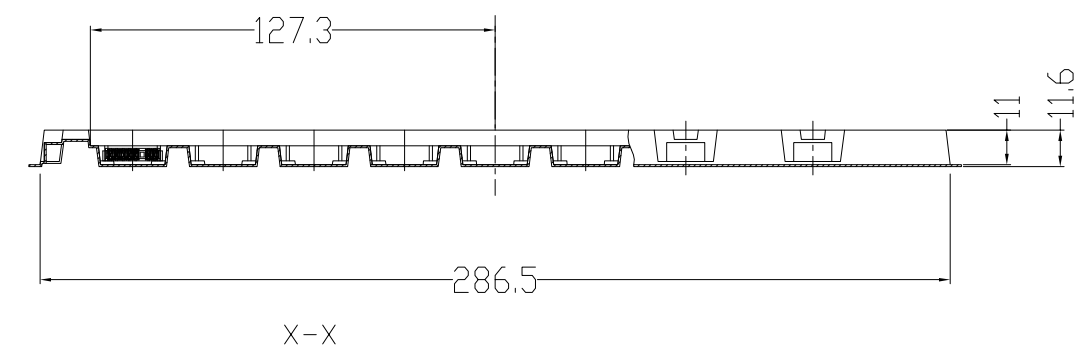
1

THIS DRAWING IS UNPUBLISHED. RELEASED FOR PUBLICATION 20  
 © COPYRIGHT 20 BY TYCO ELECTRONICS CORPORATION. ALL RIGHTS RESERVED.

LOC	DIST	REVISIONS			
P	LTR	DESCRIPTION	DATE	DWN	APVD
ES	-	SEE SHEET 1	-	-	-



DETAIL A  
SCALE 1:1



1. 72PCS/TRAY

<small>THIS DRAWING IS A CONTROLLED DOCUMENT FOR TYCO ELECTRONICS CORPORATION IT IS SUBJECT TO CHANGE AND THE CONTROLLING ENGINEERING ORGANIZATION SHOULD BE CONTACTED FOR THE LATEST REVISION.</small>		DWN T.KATANO 04JUL05 CHK T.KIMURA 04JUL05 APVD T.KIMURA 04JUL05	Tyco Electronics Corporation Shanghai P.R.CHINA 200233
DIMENSIONS: mm	TOLERANCES UNLESS OTHERWISE SPECIFIED: ± 0.3 0-PLC ± 1-PLC ±0.1 2-PLC ±0.01 3-PLC ±0.001 4-PLC ±0.0001 ANGLES ±3	PRODUCT SPEC 108-78292 APPLICATION SPEC - WEIGHT -	NAME RECEPTACLE ASSEMBLY 7POS. REVERSE TYPE 2mm PITCH BATTERY CONNECTOR
MATERIAL - 	FINISH -	SIZE A3 CAGE CODE 00779 DRAWING NO C=1827685	RESTRICTED TO -
CUSTOMER DRAWING		SCALE 2:1	SHEET 2 OF 2 REV B

## X-ON Electronics

Largest Supplier of Electrical and Electronic Components

*Click to view similar products for [Power to the Board](#) category:*

*Click to view products by [TE Connectivity](#) manufacturer:*

Other Similar products are found below :

[6450171-4](#) [6450552-7](#) [6600323-8](#) [6643429-1](#) [6646040-2](#) [6651939-1](#) [6766604-1](#) [120959-1](#) [1393557-2](#) [1393532-2](#) [1393532-3](#) [1393532-4](#)  
[1393557-1](#) [1600812-5](#) [1-6450861-2](#) [1744132-7](#) [1761122-1](#) [1766250-1](#) [1892109-1](#) [2-6450860-5](#) [2-6450870-0](#) [1-6450161-4](#) [1-6450850-6](#) [1-6450869-6](#) [1645526-2](#) [1-6600130-0](#) [2005243-2](#) [377-0020-11130](#) [TE34-12-16P-F0](#) [5-6450830-6](#) [5646956-4](#) [377-0080-11131A](#) [4-6450830-9](#)  
[4-6600333-3](#) [10125416-4050LF](#) [6600320-3](#) [3-6450860-5](#) [1888123-2](#) [6450166-1](#) [6643978-1](#) [6766605-1](#) [701-15-02109](#) [N11444](#) [6651938-1](#)  
[6450810-7](#) [46437-1112](#) [1-1589677-8](#) [5646956-5](#) [6450813-2](#) [6450129-4](#)