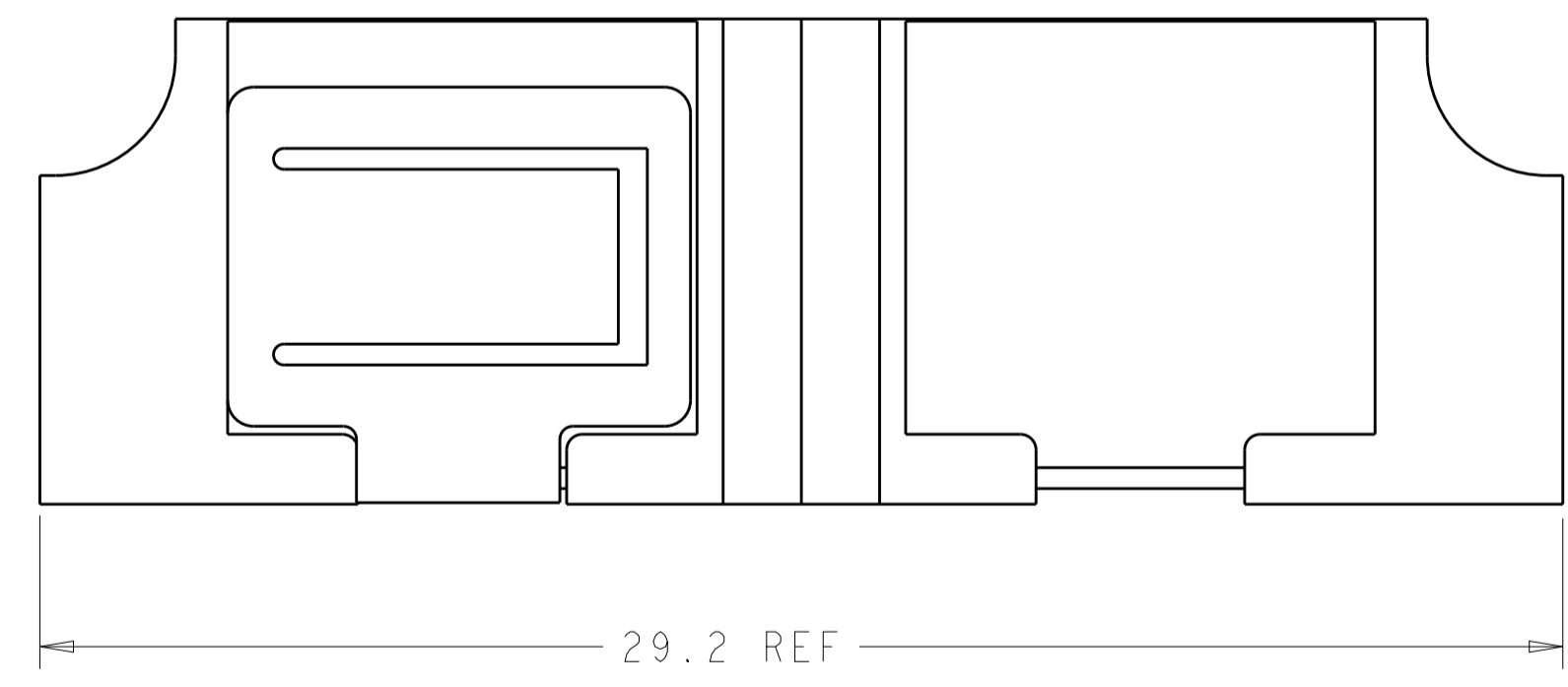
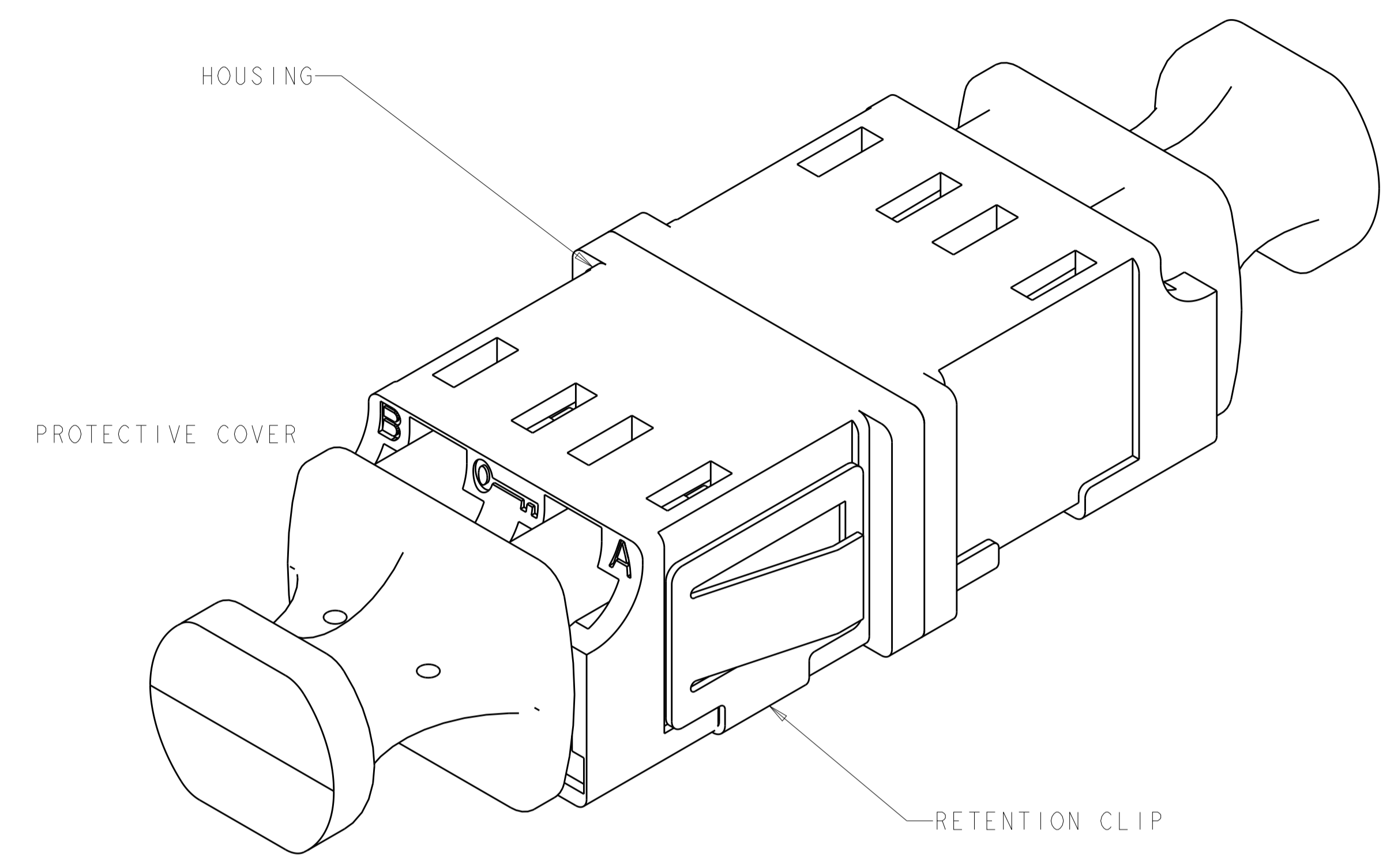
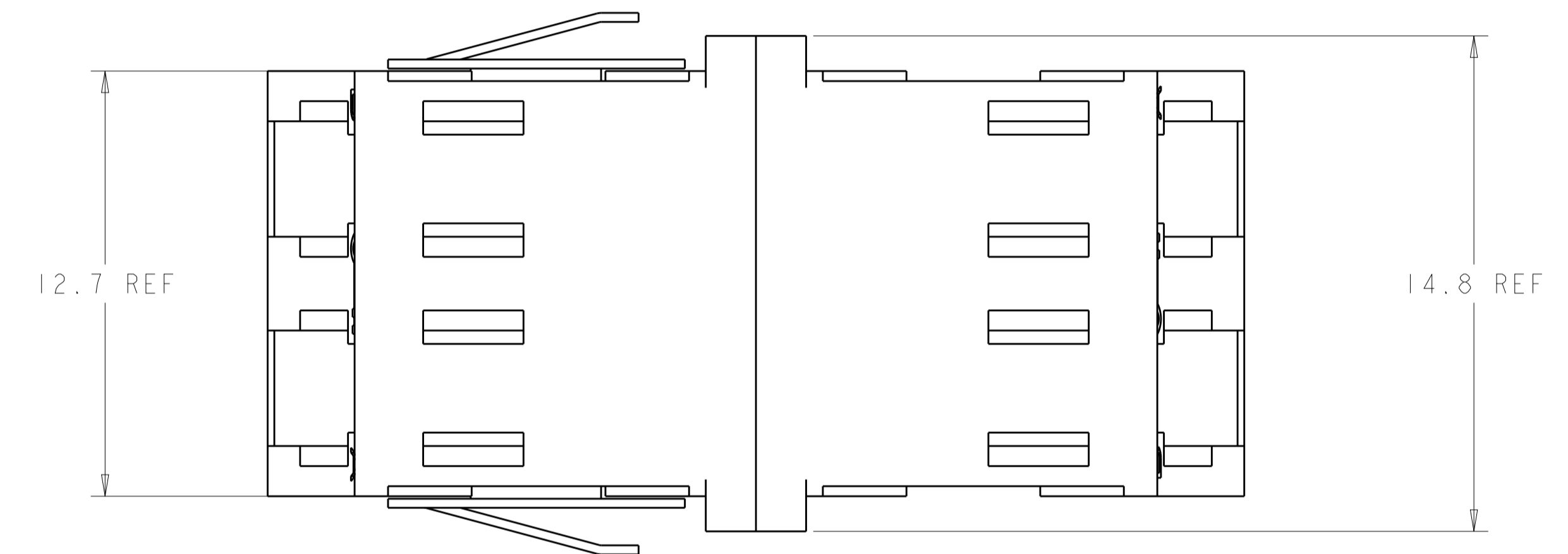
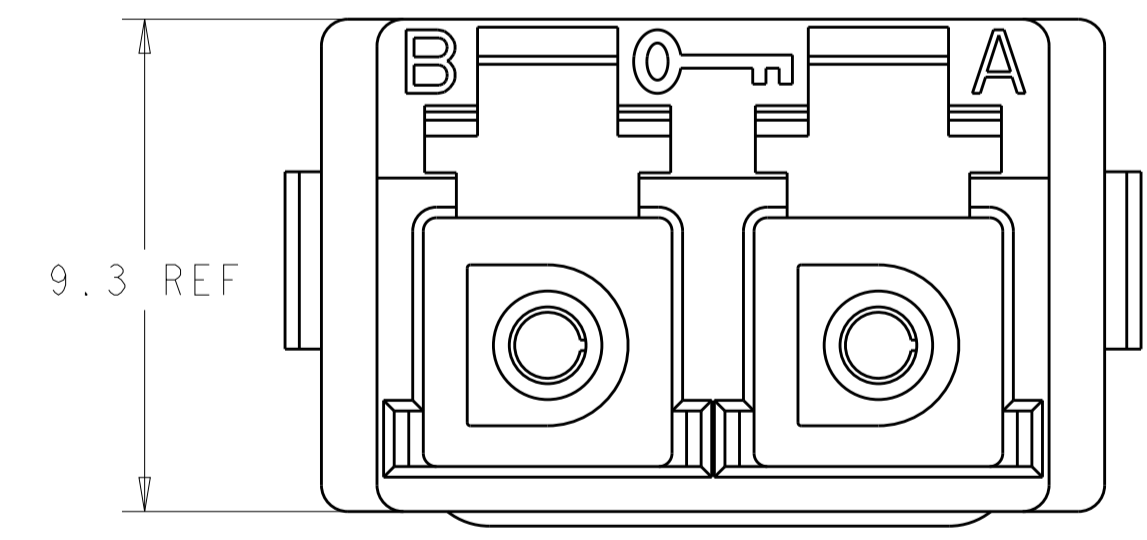


LOC	DIST	REVISIONS			
P	LTN	DESCRIPTION	DATE	DWN	APVD
CE	00				
B1		REVISED PER ECO-11-005027	16MAY2011	RK	HMR
B2		REV; ECO-15-000119	06JAN2015	GG	TE

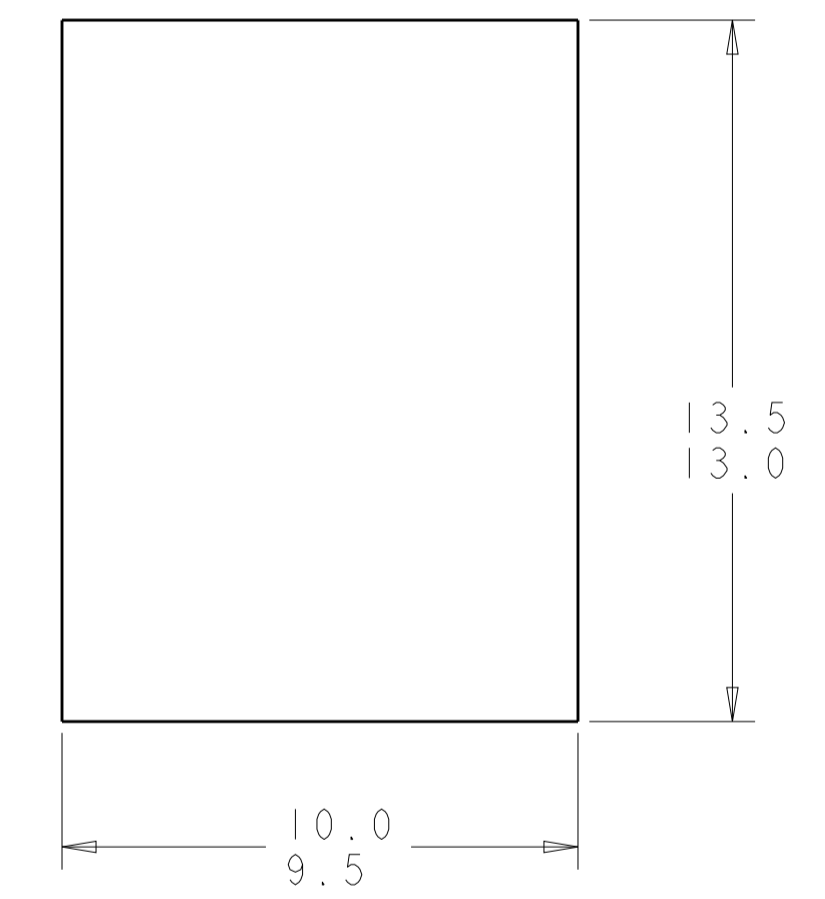
△ MATERIAL:  
 HOUSINGS: THERMOPLASTIC, PPE-PS\*  
 ALIGNMENT SLEEVES: CERAMIC  
 PROTECTIVE COVERS: THERMOPLASTIC ELASTOMER\*  
 RETENTION CLIP: SST  
 \* UL 94 V-0 RATED AT QUALIFYING THICKNESS



PROTECTIVE COVERS  
 NOT SHOWN



(RED -1 SHOWN)



RECOMMENDED PANEL CUTOUT  
 MAX PANEL THK. 1.7

SLATE	I-1828074-0
ORANGE	1828074-9
VIOLET	1828074-8
BROWN	1828074-7
AQUA	1828074-6
ROSE	1828074-5
BLUE	1828074-4
GREEN	1828074-3
YELLOW	1828074-2
RED	1828074-1
HOUSING COLOR	PART NO.

THIS DRAWING IS A CONTROLLED DOCUMENT.

DWN: E. HOPKINS 04AUG2005  
 CHK: D. ERDMAN 04AUG2005  
 APVD: D. BAECHELLE 04AUG2005

DIMENSIONS: mm  
 TOLERANCES UNLESS OTHERWISE SPECIFIED:  
 0 PLC ±  
 1 PLC ±  
 2 PLC ±  
 3 PLC ±  
 4 PLC ±  
 ANGLES ±  
 MATERIAL: △  
 FINISH: -

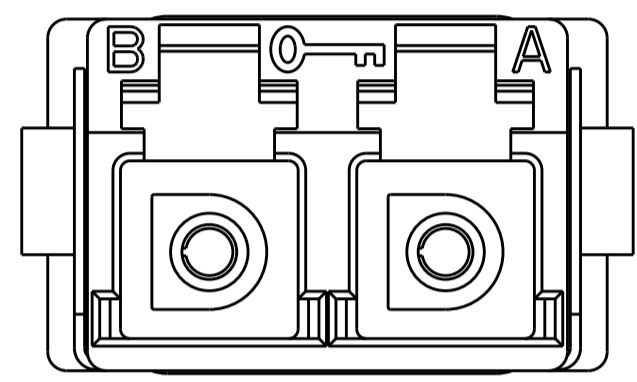
TE Connectivity  
**STE**  
 LC SECURE ADAPTER ASSEMBLY, FLANGELESS

SIZE: A1  
 CAGE CODE: 100779  
 DRAWING NO: 1828074  
 RESTRICTED TO: -

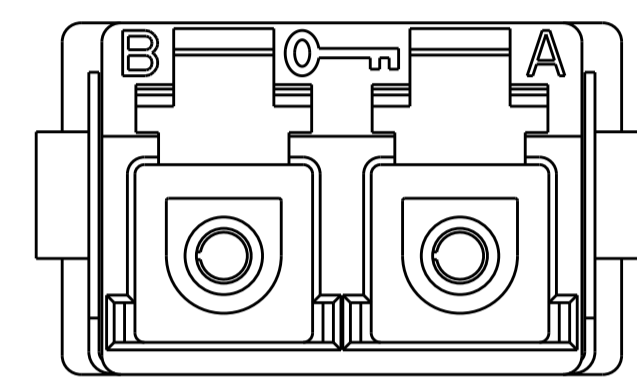
Customer Drawing  
 SCALE: 7:1  
 SHEET: 1 OF 2  
 REV: B2

THIS DRAWING IS UNPUBLISHED. RELEASED FOR PUBLICATION 20  
COPYRIGHT 20 ALL RIGHTS RESERVED.

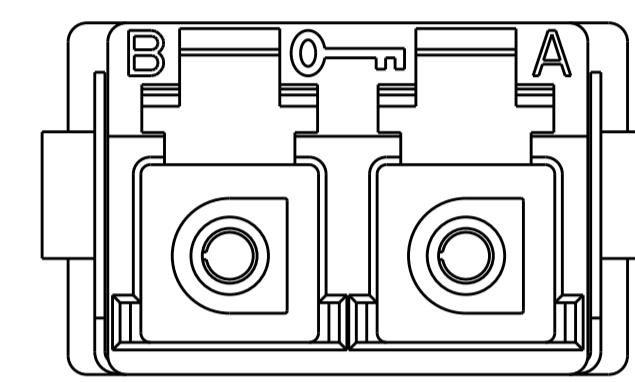
LOC		DIST		REVISIONS			
P	LTN	DESCRIPTION	DATE	DMN	APVD		
-	-	SEE SHEET 1	-	-	-		



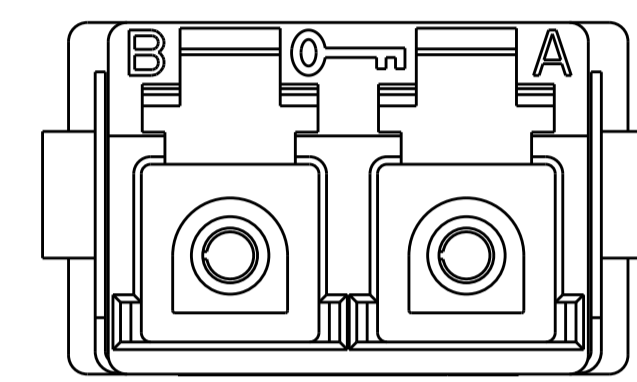
1828074-1  
RED



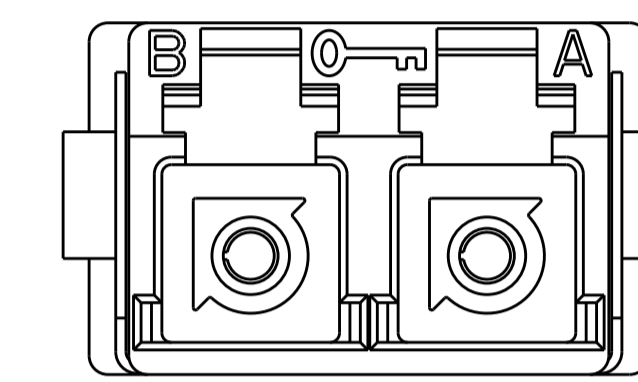
1828074-2  
YELLOW



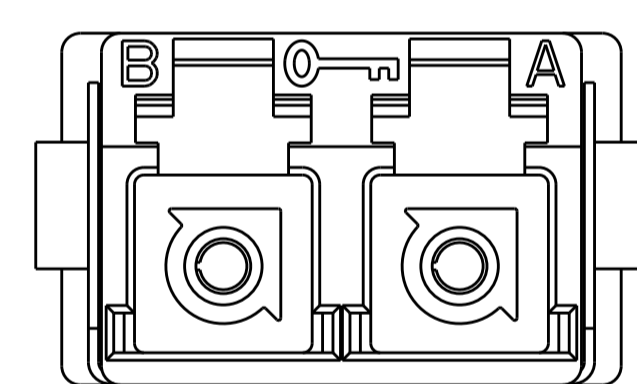
1828074-3  
GREEN



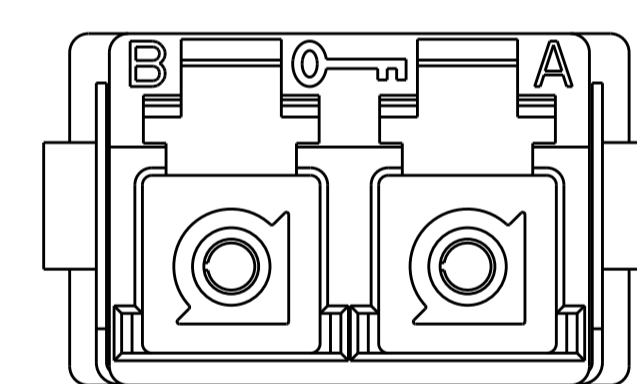
1828074-4  
BLUE



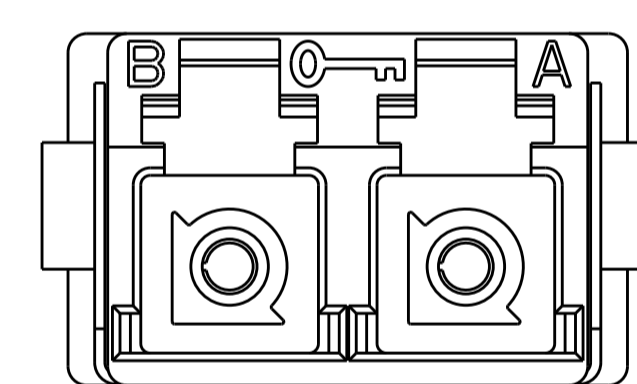
1828074-5  
ROSE



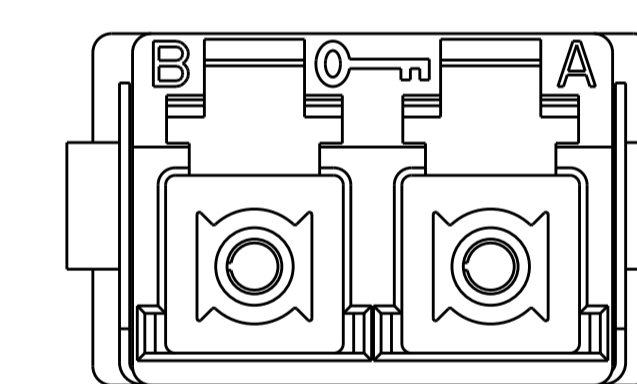
1828074-6  
AQUA



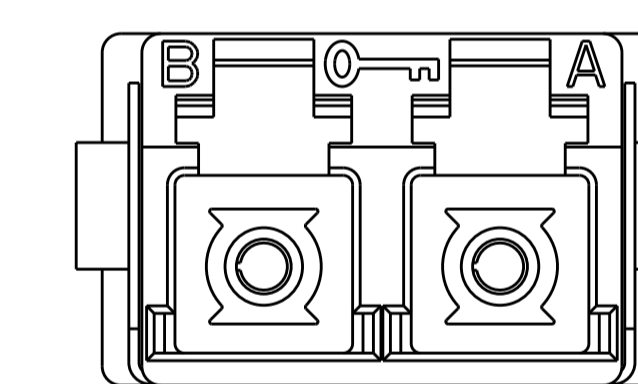
1828074-7  
BROWN



1828074-8  
VIOLET



1828074-9  
ORANGE



1-1828074-0  
SLATE

THIS DRAWING IS A CONTROLLED DOCUMENT.		DMN E. HOPKINS 04AUG2005	
DIMENSIONS:		CHK D. ERDMAN 04AUG2005	
mm	TOLERANCES UNLESS OTHERWISE SPECIFIED:	APVD D. BAECHTLE 04AUG2005	NAME LC SECURE ADAPTER ASSEMBLY, FLANGELESS
0 PLC ±	1 PLC ±	PRODUCT SPEC	SIZE CAGE CODE DRAWING NO
2 PLC ±	3 PLC ±	APPLICATION SPEC	A100779C=1828074
4 PLC ±	ANGLES ±	WEIGHT	RESTRICTED TO
MATERIAL	FINISH	Customer Drawing	SCALE 5:1 SHEET 2 OF 2 REV B2

## X-ON Electronics

Largest Supplier of Electrical and Electronic Components

*Click to view similar products for [Fibre Optic Connectors](#) category:*

*Click to view products by [TE Connectivity](#) manufacturer:*

Other Similar products are found below :

[0004700001](#) [6100-R](#) [6313](#) [F709034706](#) [F709722200](#) [F709730000](#) [F718183204](#) [F727403500](#) [F727752800](#) [8119](#) [9440F20-27S-190](#) [944-120-6001](#) [9441F10SL-3S](#) [9444W28-21S](#) [9444W36-10S](#) [9446F10SL-4S](#) [9446W20-16S](#) [953-101-5310-P](#) [954-101-57202B](#) [A0270169](#) [12-9122](#) [12-5702](#) [AX101713](#) [AX102420](#) [AX103923](#) [AX104024](#) [AX104193](#) [AX104230](#) [AX104498](#) [AX104562](#) [AX105203-B25](#) [AX105205-S1](#) [EHSC2M](#) [181-011-126](#) [181-011-S](#) [181-057-126](#) [HRFC-R2\(40\)](#) [NKSOPBUY](#) [20500002116](#) [2064996-1](#) [20800001065](#) [2170](#) [9132](#) [2612](#) [2620](#) [9291](#) [9440F16-10S](#) [9440F20-18S](#) [9442W14S-10P](#) [9446F16-10S-190](#)