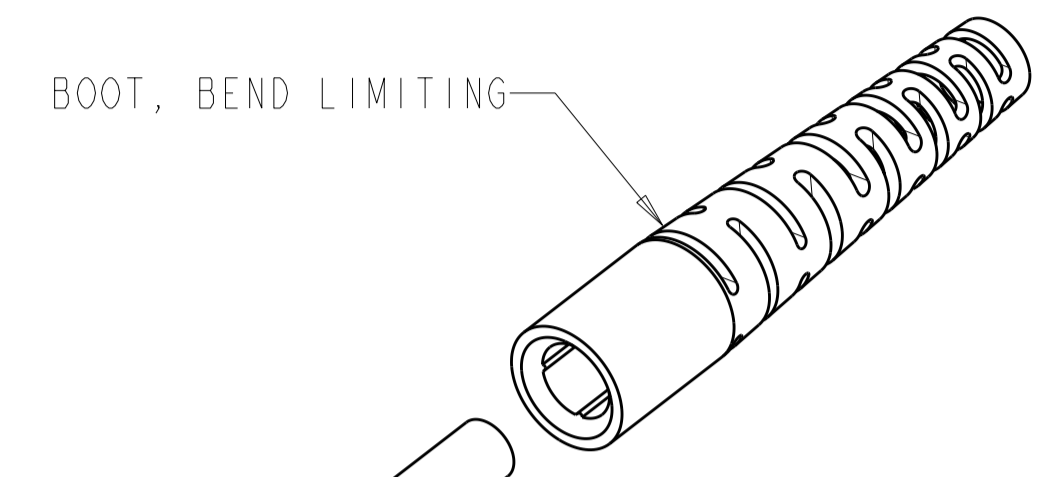


THIS DRAWING IS UNPUBLISHED. RELEASED FOR PUBLICATION 20  
 © COPYRIGHT 20 BY TYCO ELECTRONICS CORPORATION. ALL RIGHTS RESERVED.

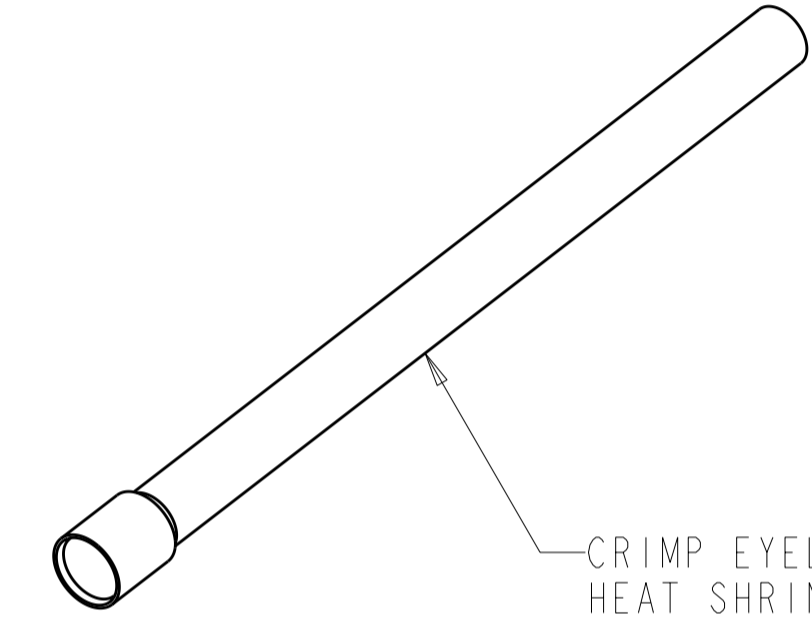
LOC	DIST	REVISIONS			
P	LTR	DESCRIPTION	DATE	DWN	APVD
CE	00	B2	REVISE NOTE 2	13MAR2009	BB SB
		C	REVISED PER ECR 10-012395	14JUN2010	DLF CB

⚠ MATERIAL: PROTECTIVE COVER: TPE, COLOR:BLACK, UL 94 V-0 \*  
 FERRULE SUB ASSEMBLY: ZIRCONIA/METAL.  
 COMPRESSION SPRING: STAINLESS STEEL.  
 HOUSING: PPSU, COLOR:SEE DASH NO'S.  
 INNER TUBING: PTFE, COLOR:CLEAR, UL VW-1.  
 REAR BODY:METAL.  
 BOOT: PP, COLOR:BEIGE, UL 94 V-0. \*  
 CRIMP EYELET/HEAT SHRINK ASSY: ALUM. ALLOY, HEAT SHRINK: POLYOLEFIN, UL VW-1.  
 \*RATED AT QUALIFYING THICKNESS.

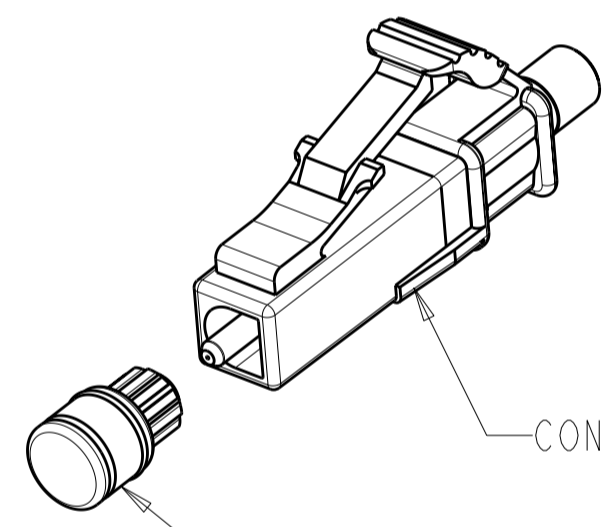
2. INSTRUCTION SHEET: 408-8675 AVAILABLE FOR DOWNLOAD AT [www.tycoelectronics.com/documents](http://www.tycoelectronics.com/documents)  
 OR [www.ampnetconnect.com/foguide](http://www.ampnetconnect.com/foguide).



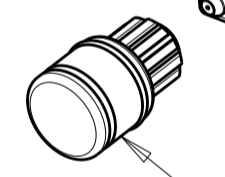
BOOT, BEND LIMITING



CRIMP EYELET/  
HEAT SHRINK ASSEMBLY

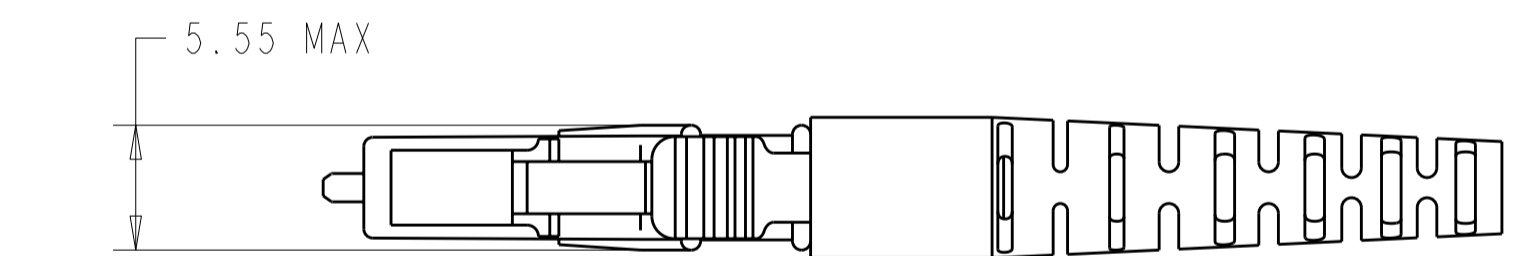


CONNECTOR ASSEMBLY

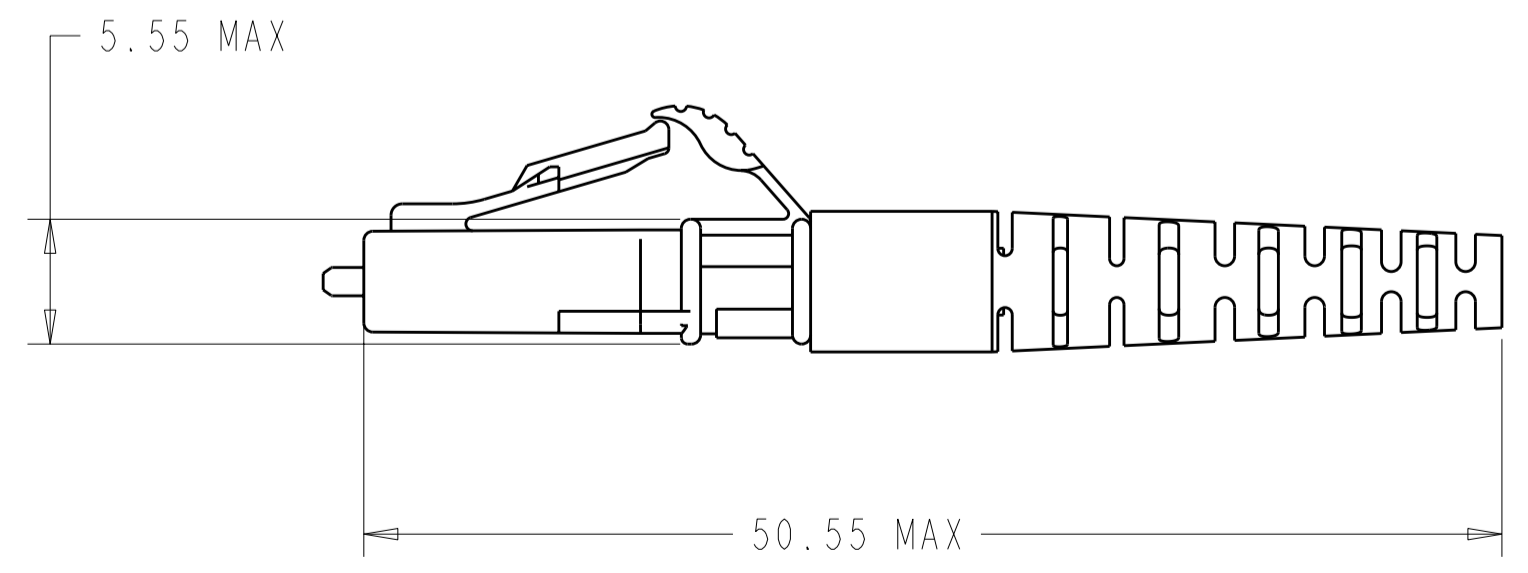


PROTECTIVE COVER

SLATE	1-1828078-0
ORANGE	1828078-9
VIOLET	1828078-8
BROWN	1828078-7
AQUA	1828078-6
ROSE	1828078-5
BLUE	1828078-4
GREEN	1828078-3
YELLOW	1828078-2
RED	1828078-1
COLOR	PART NO



5.55 MAX



5.55 MAX

50.55 MAX

THIS DRAWING IS A CONTROLLED DOCUMENT FOR TYCO ELECTRONICS CORPORATION IT IS SUBJECT TO CHANGE AND THE CONTROLLING ENGINEERING ORGANIZATION SHOULD BE CONTACTED FOR THE LATEST REVISION.		DWN D. ERDMAN 22FEB2006	Tyco Electronics Harrisburg, PA 17105-3608	
DIMENSIONS: mm		CHK M. GURRERI 22FEB2006	NAME KIT, CONNECTOR, LC SECURE SIMPLEX, MM, 1.6-2.0mm, JACKET	
TOLERANCES UNLESS OTHERWISE SPECIFIED:		APVD D. BAECHTLE 22FEB2006	PRODUCT SPEC -	
0 PLC ± 1 PLC ±0.1 2 PLC ±0.01 3 PLC ± 4 PLC ±		APPLICATION SPEC -	RESTRICTED TO	
MATERIAL -		WEIGHT -	SIZE A2	CAGE CODE 00779
FINISH -		CUSTOMER DRAWING	DRAWING NO 1828078	REV C
		SCALE 3:1	SHEET 1	OF 1

## X-ON Electronics

Largest Supplier of Electrical and Electronic Components

*Click to view similar products for [Fibre Optic Connectors](#) category:*

*Click to view products by [TE Connectivity](#) manufacturer:*

Other Similar products are found below :

[0004700001](#) [6100-R](#) [6313](#) [F709034706](#) [F709730000](#) [F718183204](#) [F727403500](#) [F727752800](#) [8119](#) [9440F20-27S-190](#) [944-120-6001](#)  
[9441F10SL-3S](#) [9444W28-21S](#) [9444W36-10S](#) [9446F10SL-4S](#) [9446W20-16S](#) [953-101-5310-P](#) [954-101-57202B](#) [A0270169](#) [12-9122](#) [12-5702](#)  
[AX101713](#) [AX102420](#) [AX103923](#) [AX104024](#) [AX104193](#) [AX104230](#) [AX104498](#) [AX104562](#) [AX105203-B25](#) [AX105205-S1](#) [EHSC2M](#)  
[181-011-126](#) [181-011-S](#) [181-057-126](#) [HRFC-R2\(40\)](#) [NKSOPBUY](#) [20500002116](#) [2064996-1](#) [20800001065](#) [2170](#) [9132](#) [2612](#) [2620](#) [9291](#)  
[9440F16-10S](#) [9440F20-18S](#) [9446F16-10S-190](#) [953-106-50231](#) [953-120-5003](#)