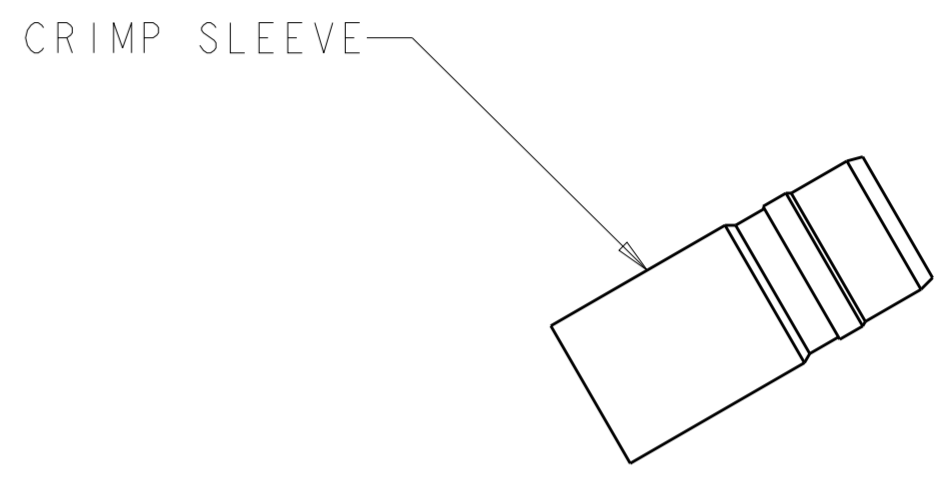
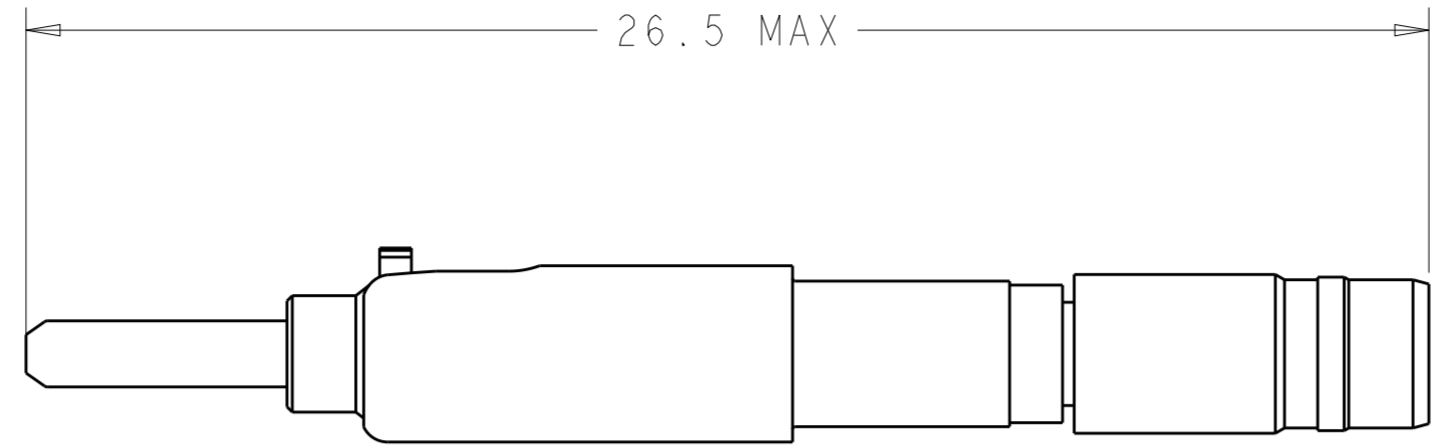
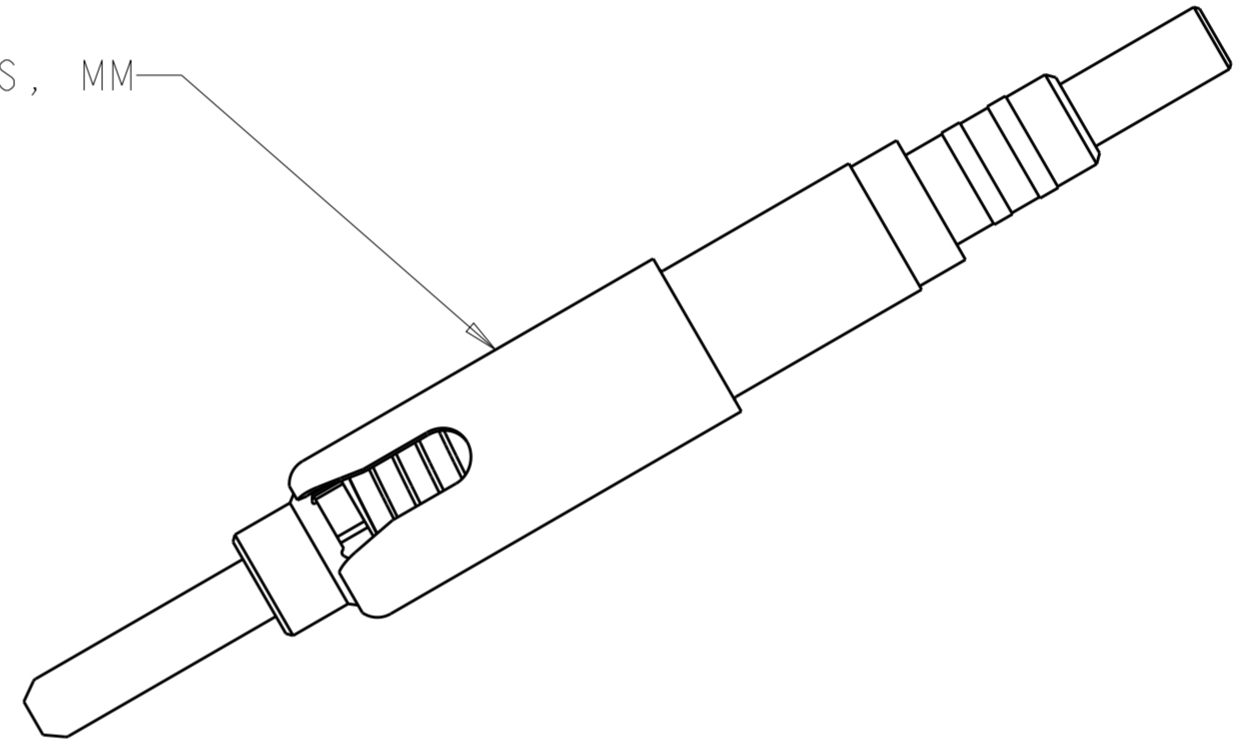


THIS DRAWING IS UNPUBLISHED. RELEASED FOR PUBLICATION 20
 © COPYRIGHT 20 BY - ALL RIGHTS RESERVED.

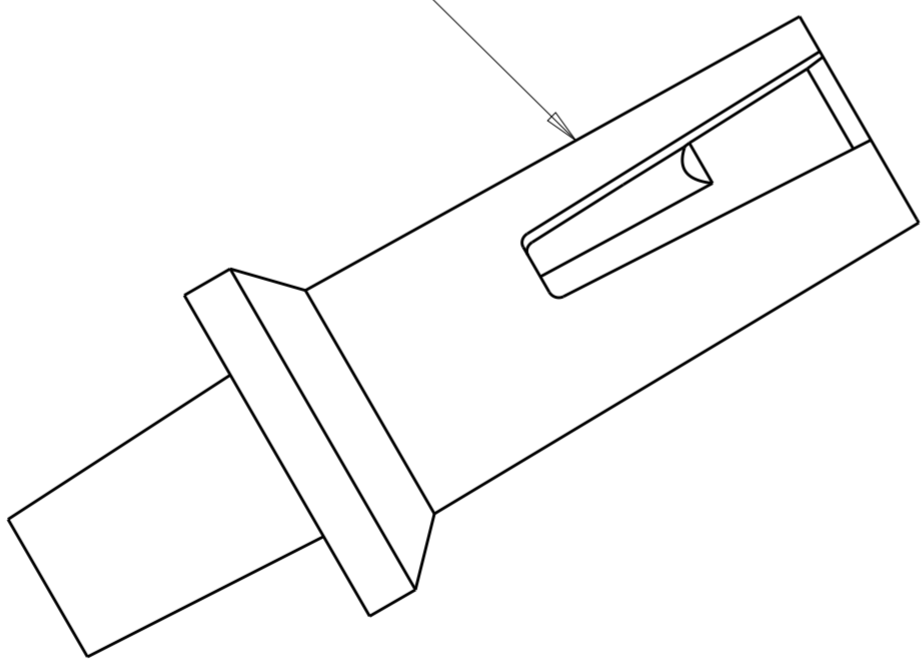
REVISIONS				
P	LTR	DESCRIPTION	DATE	APVD
B		ECR-14-015639	22OCT2014	KG DW



ARINC 801 ML TERMINUS, MM



PROTECTIVE CAP



1828199-1
PART NO.

⚠ MATERIAL:
 PROTECTIVE COVER: THERMOPLASTIC
 FERRULE: ZIRCONIA
 FERRULE BASE: NICKEL PLATED COPPER ALLOY
 INDEXED COVER: NICKEL PLATED COPPER ALLOY
 CRIMP SLEEVE: NICKEL PLATED COPPER ALLOY
 SPRING: STAINLESS STEEL

THIS DRAWING IS A CONTROLLED DOCUMENT.		DWN E. HOPKINS 21FEB2005	TE Connectivity																						
DIMENSIONS: mm		CHK D. ROHDE 21FEB2005																							
TOLERANCES UNLESS OTHERWISE SPECIFIED:		APVD B. EDWARDS 21FEB2005	NAME ARINC 801 TERMINUS KIT, ML, MM																						
<table border="1"> <tr><td>0 PLC</td><td>±</td><td>-</td></tr> <tr><td>1 PLC</td><td>±</td><td>-</td></tr> <tr><td>2 PLC</td><td>±</td><td>-</td></tr> <tr><td>3 PLC</td><td>±</td><td>-</td></tr> <tr><td>4 PLC</td><td>±</td><td>-</td></tr> <tr><td>ANGLES</td><td>±</td><td>-</td></tr> <tr><td>FINISH</td><td>-</td><td>-</td></tr> </table>		0 PLC	±	-	1 PLC	±	-	2 PLC	±	-	3 PLC	±	-	4 PLC	±	-	ANGLES	±	-	FINISH	-	-	PRODUCT SPEC -	SIZE A200779	DRAWING NO C-1828199
0 PLC	±	-																							
1 PLC	±	-																							
2 PLC	±	-																							
3 PLC	±	-																							
4 PLC	±	-																							
ANGLES	±	-																							
FINISH	-	-																							
MATERIAL -		APPLICATION SPEC -	RESTRICTED TO -	SCALE 2:1																					
		WEIGHT -	SHEET 1	REV B																					
		Customer Drawing																							

X-ON Electronics

Largest Supplier of Electrical and Electronic Components

Click to view similar products for [Fibre Optic Connectors](#) category:

Click to view products by [TE Connectivity](#) manufacturer:

Other Similar products are found below :

[0004700001](#) [6100-R](#) [6313](#) [F709034706](#) [F709722200](#) [F709730000](#) [F718183204](#) [F727403500](#) [F727752800](#) [8119](#) [9440F20-27S-190](#) [944-120-6001](#) [9441F10SL-3S](#) [9444W28-21S](#) [9444W36-10S](#) [9446F10SL-4S](#) [9446W20-16S](#) [953-101-5310-P](#) [954-101-57202B](#) [A0270169](#) [12-9122](#) [12-5702](#) [AX101713](#) [AX102420](#) [AX103923](#) [AX104024](#) [AX104193](#) [AX104230](#) [AX104562](#) [AX105203-B25](#) [AX105205-S1](#) [EHSC2M](#) [181-011-126](#) [181-011-S](#) [181-057-126](#) [HRFC-R2\(40\)](#) [NKSOPBUY](#) [20500002116](#) [2064996-1](#) [20800001065](#) [2170](#) [9132](#) [2612](#) [2620](#) [9291](#) [9440F16-10S](#) [9440F20-18S](#) [9446F16-10S-190](#) [953-106-50231](#) [953-120-5003](#)