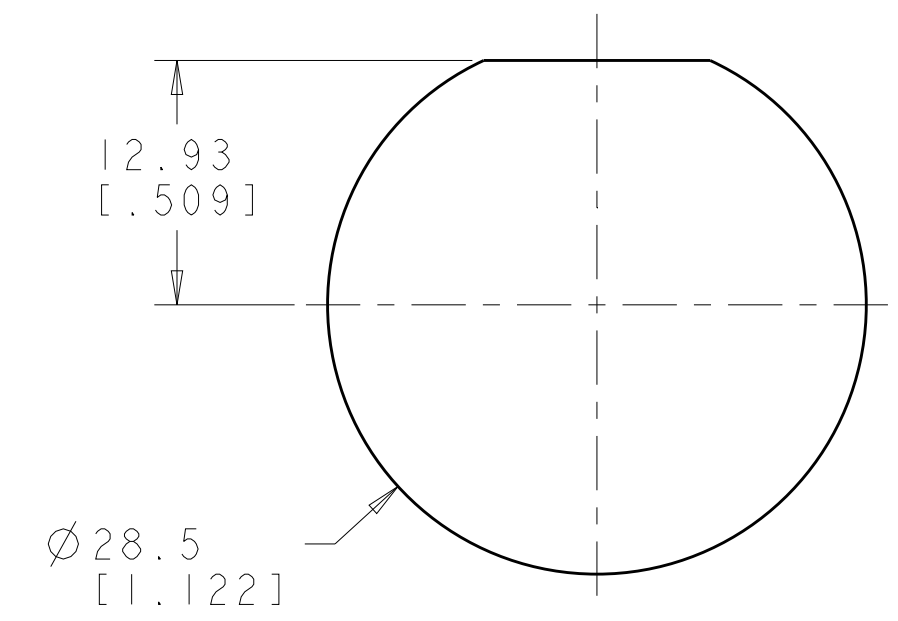
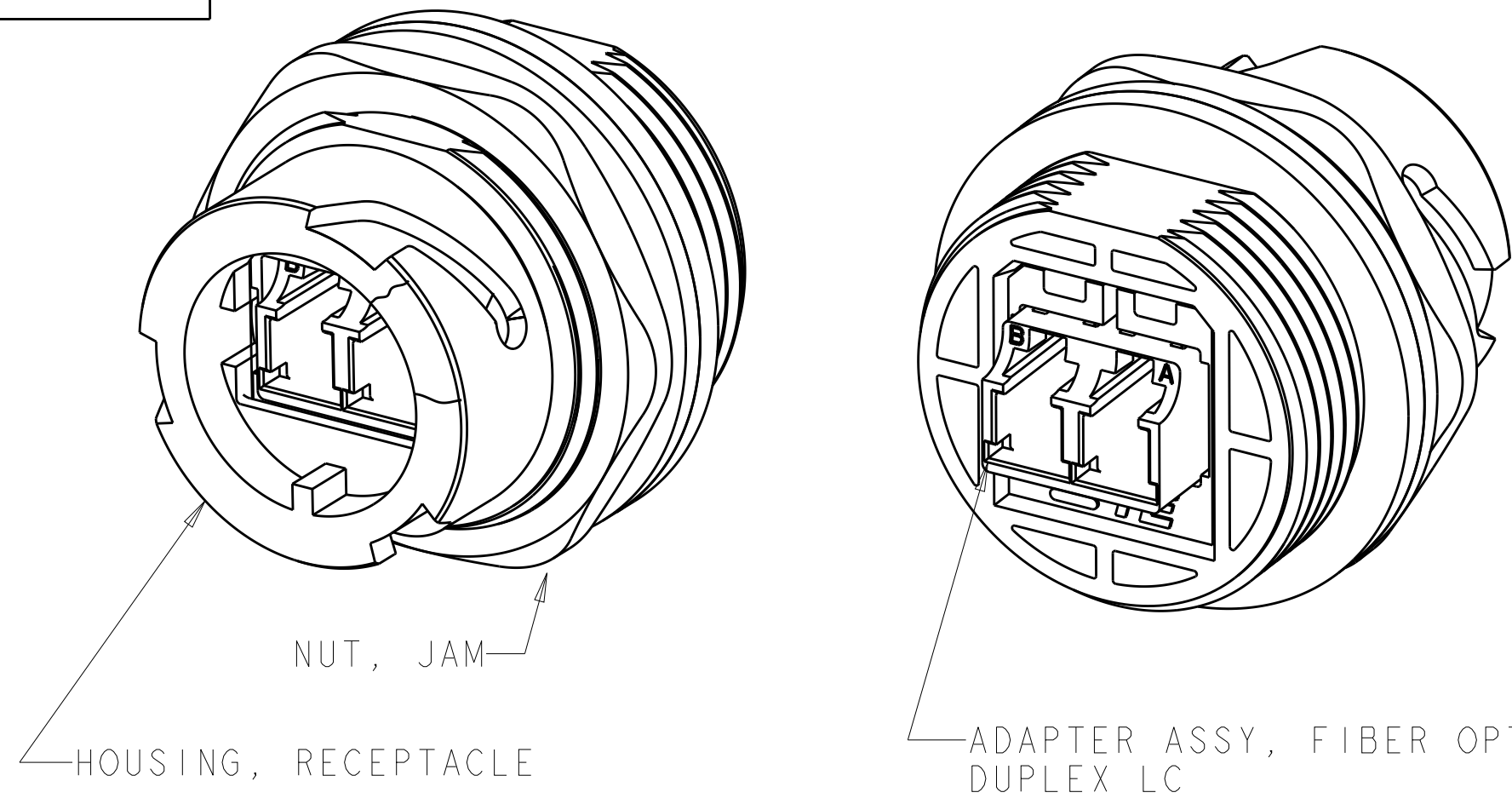
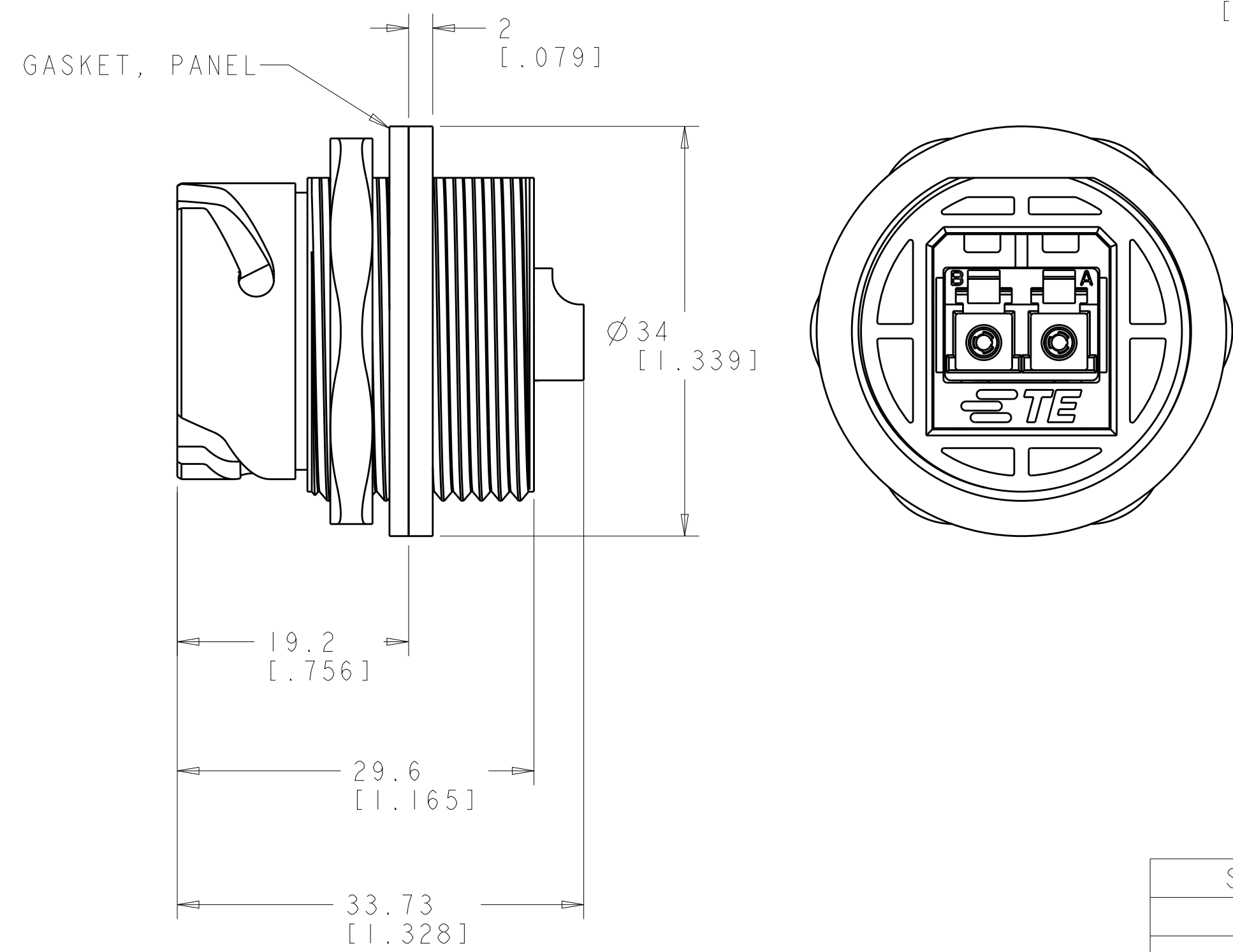
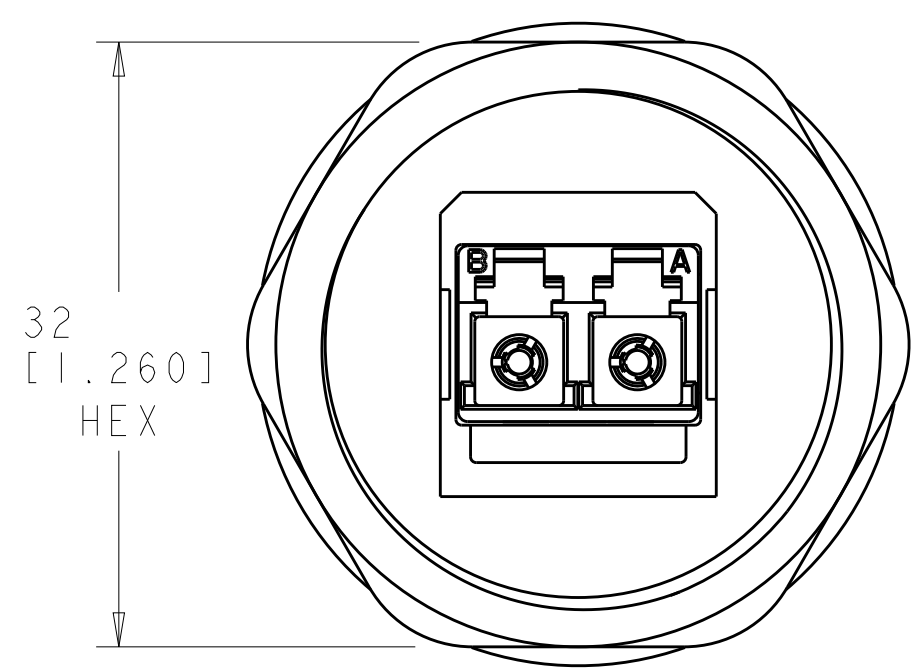


THIS DRAWING IS UNPUBLISHED. RELEASED FOR PUBLICATION 20  
 © COPYRIGHT 20 BY - ALL RIGHTS RESERVED.

REVISIONS					
P	LTR	DESCRIPTION	DATE	DWN	APVD
A		REL TO ACTIVE PER ECR-08-029127	10DEC2008	DDE	DDE
AI		ECR-13-016190	180C2013	KZ	RZ



RECOMMENDED PANEL CUT-OUT  
 MAX PANEL THICKNESS 3.2mm



⚠ MATERIAL:  
 HOUSING, RECEPTACLE: PBT, COLOR: BLACK\*  
 NUT, PANEL: BRASS, Ni PLATED  
 GASKET: SILICONE, COLOR: RED/ORANGE

LC DUPLEX ADAPTER ASSY:  
 HOUSING: PEI, COLOR: MM BEIGE, SM BLUE\*  
 PROTECTIVE COVERS: TPE, COLOR: BLACK\*  
 ALIGNMENT SLEEVES: MM METAL, SM CERAMIC

\* UL 94 V-0 RATED AT QUALIFYING THICKNESS.

2. ADAPTER PROTECTIVE COVERS ARE INCLUDED; NOT SHOWN.

3. ADAPTER SEALED PROTECTIVE CAP W/ TETHER IS ALSO AVAILABLE, P/N 1918177-1.

SINGLEMODE	1828619-2
MULTIMODE	1828619-1
DESCRIPTION	PART NO

THIS DRAWING IS A CONTROLLED DOCUMENT.		DWN D ERDMAN 19MAY2005	TE Connectivity		
DIMENSIONS: mm [IN]		CHK M GURRERI 19MAY2005			
TOLERANCES UNLESS OTHERWISE SPECIFIED:		APVD - 19MAY2005			
0 PLC ±0.2 1 PLC ±0.1 2 PLC ±0.1 3 PLC ± 4 PLC ± ANGLES ± FINISH -		PRODUCT SPEC -	NAME KIT, RECEPTACLE, INDUSTRIAL DUPLEX LC ODVA		
MATERIAL -		APPLICATION SPEC -	SIZE A200779	DRAWING NO C-1828619	RESTRICTED TO -
-		WEIGHT -	SCALE 5:2	SHEET 1	REV AI

## X-ON Electronics

Largest Supplier of Electrical and Electronic Components

*Click to view similar products for [Fibre Optic Connectors](#) category:*

*Click to view products by [TE Connectivity](#) manufacturer:*

Other Similar products are found below :

[0004700001](#) [6100-R](#) [6313](#) [F709034706](#) [F709722200](#) [F709730000](#) [F718183204](#) [F727403500](#) [F727752800](#) [8119](#) [9440F20-27S-190](#) [944-120-6001](#) [9441F10SL-3S](#) [9444W28-21S](#) [9444W36-10S](#) [9446F10SL-4S](#) [9446W20-16S](#) [953-101-5310-P](#) [954-101-57202B](#) [A0270169](#) [12-9122](#) [12-5702](#) [AX101713](#) [AX102420](#) [AX103923](#) [AX104024](#) [AX104193](#) [AX104230](#) [AX104562](#) [AX105203-B25](#) [AX105205-S1](#) [EHSC2M](#) [181-011-126](#) [181-011-S](#) [181-057-126](#) [HRFC-R2\(40\)](#) [NKSOPBUY](#) [20500002116](#) [2064996-1](#) [20800001065](#) [2170](#) [9132](#) [2612](#) [2620](#) [9291](#) [9440F16-10S](#) [9440F20-18S](#) [9442W14S-10P](#) [9446F16-10S-190](#) [953-106-50231](#)